

62/54Base

Mounter and Laminator



*Machine shown with available options

User Manual
"A" Version Models, Rev C
December 2017

English

All rights reserved

All information included in this manual as well as information included in supplements or addendum to this manual is subject to copyright law. This information shall not be used, copied, reproduced, transmitted or disclosed to third parties without our prior written consent.

SEAL® assumes no responsibility for any errors that may appear in this document nor does it make expressed or implied warranty of any kind with regard to this material, including, but not limited to, the implied warranties of merchantability and fitness for a particular purpose.

SEAL® shall not be liable for incidental or consequential damages in connection with, or arising out of the furnishing, performance, or use of this document and the program material which it describes.

FCC Part 15B, Class A:

This device complies with Part 15 of the FCC Rules. Operation is subject to the following two conditions: (1) This device may not cause harmful interference. (2) This device must accept any interference received, including interference that may cause undesired operation.

CAN ICES-3 (A)/NMB-3(A):

This device complies with ICES-3 Industry Canada Rules. Operation is subject to the following two conditions: (1) This device may not cause harmful interference, and (2) this device must accept any interference received, including interference that may cause undesired operation.

Cet appareil est conforme aux règles ICES-3 d'Industrie Canada. L'opération est soumise aux deux conditions suivantes : (1) Cet appareil ne doit pas causer d'interférences nuisibles. (2) Cet appareil doit accepter toute interférence reçue, y compris les interférences qui peuvent causer un fonctionnement indésirable.

Note:

This equipment has been tested and found to comply with the limits for a Class A digital device, pursuant to Part 15 of the FCC and CAN ICES-3 (A)/NMB-3(A) Industry Canada Rules. These limits are designed to provide reasonable protection against harmful interference when the equipment is operated in a commercial environment. This equipment generates, uses, and can radiate radio frequency energy and, if not installed and used in accordance with the instruction manual, may cause harmful interference to radio communications. Operation of this equipment in a residential area is likely to cause harmful interference in which case the user will be required to correct the interference at his own expense.

Modifications: Any modifications made to this device that are not approved by ACCO Brands may void the authority granted by the user by the FCC and/or Industry Canada to operate this equipment.

Remarque :

Cet équipement a réussi le test des limites des dispositifs numériques de classe A, conformément à la partie 15 des règles FCC et CAN ICES-3 (A)/NMB-3(A) d'Industrie Canada. Ces limites sont conçues de manière à garantir une protection raisonnable contre les interférences nuisibles lorsque l'équipement est utilisé dans un environnement commercial. Cet équipement crée, utilise et peut faire rayonner de l'énergie radiofréquence. S'il n'est pas installé et utilisé conformément au manuel de l'utilisateur, il risque de créer des interférences nuisibles pour les communications radio. Le fonctionnement de cet équipement dans une zone résidentielle risque de provoquer des interférences nuisibles, auquel cas il incombera à l'utilisateur de corriger le problème à ses frais.

Modifications : Toutes les modifications apportées à cet appareil qui ne sont pas approuvées par ACCO Brands peuvent annuler l'autorisation accordée par l'utilisateur par la FCC et/ou Industrie Canada pour exploiter cet équipement.



INTRODUCTION

Thank you for purchasing your SEAL® 62/54 *Base*.

Maximum effort has been invested in the design of this machine to give you years of reliable service.

As you become familiar with your machine you will appreciate the high quality of its output and the excellence in engineering stated in its smartly styled design.

The machine described in this manual is a multi-functional machine that can perform the following processes;

- high-quality lamination,
- panel mounting of images,
- mounting and laminating in one pass,
- decaling.

This manual gives a general description of various processes.

A vast number of laminating products are available. All of them with their own applications and processing specifications.

For more details on film choice and application solutions refer to the SEAL® films and adhesives product catalog.

THIS MANUAL

This manual is intended for the user of the 62/54 *Base*. Read this manual carefully before starting the machine.

This manual contains important information for correct installation, operation and maintenance of the machine. It also contains important instructions to prevent accidents, personal injury and/or serious damage prior to or during operation of the machine.

Familiarize yourself thoroughly with the functioning and operation of this machine and strictly observe the directions given. If you have any questions or need further details on specific aspects related to this machine, please do not hesitate to contact us. The address and phone number are stated on the copyright page.

Chapter 1 will provide you with a summary of the manufacturers warranty information. It also describes the safety features installed on the machine and gives a number of safety instruction and warnings. **Read this chapter carefully.**

Chapter 2 provides a general description of the machine and of the process principles to help first time users to find their way on this machine.

Chapter 3 specifies the machine and the materials to be used on this machine.

Chapter 4 guides you through the installation and decommissioning of the machine.

Chapter 5 guides you through the operation in various processes to develop basic knowledge of the machine.

Chapter 6 provides maintenance procedures and trouble shooting suggestions in case the results are not up to your expectations.

Chapter 7 is the glossary and explains a number of terms used in this manual.

TABLE OF CONTENTS

1	Warranty and Safety instructions	4
1.1	Warranty	4
1.2	Safety	5
1.2.1	Safety features	5
1.2.2	Safety instructions	6
1.3	Warnings	6
1.3.1	General ESD-warning	6
1.3.2	In this manual	6
1.3.3	On the machine	7
2	Description	1
2.1	General description	1
2.2	Parts identification	1
2.3	Process principle	2
3	Specifications	3
3.1	Identification	3
3.2	Machine dimensions	3
3.3	Material specifications	4
3.4	Machine specifications	4
3.5	Optional features	4
4	Installation	5
4.1	Unpacking	5
4.2	Installation	6
4.3	Transport	7
5	Operation	8
5.1	Process controls	8
5.1.1	Control panel	8

5.1.2	Additional controls	10
5.2	Operating modes	11
5.2.1	Normal mode	11
5.2.2	Slow mode	11
5.3	Placing film rolls	12
5.3.1	Auto-grip shafts	12
5.3.2	Loading shaft with film rolls	13
5.4	Webbing	14
5.4.1	Release liner and splitter bars	14
5.4.2	Using the upper section only	14
5.4.3	Upper and lower section	15
5.4.4	Presetting the tension	16
5.4.5	Pressure setting	16
5.5	Processes and settings	17
5.5.1	Mounting images or decals	17
5.5.2	Pre-coating panels	18
5.5.3	Over-lamination	18
5.5.4	Single-sided lamination	18
5.5.5	Decaling	19
5.6	Unloading	19
6	Maintenance	20
6.1	Cleaning	20
6.1.1	Cleaning the silicone covered rollers.	20
6.2	Preventive maintenance	21
6.2.1	Auto-grip shafts	21
6.3	Troubleshooting	21
6.4	Technical assistance	22
7	Process Control Sheet	23
8	Glossary	24

1 Warranty and Safety instructions

1.1 Warranty

ACCO Brands warrants this product to be free from defects in manufacturing for two years from the date of original retail purchase for parts (except for rollers which shall be warranted for manufacturing defects for only one year) and one year for labor. This limited warranty extends only to the original retail purchaser and does not apply if the product has been damaged or fails to function properly due to mishandling by carrier or misuse, abuse, alteration, or failure to provide necessary or proper cleaning and/or maintenance. ACCO BRANDS MAKES NO OTHER WARRANTIES, EXPRESS OR IMPLIED, INCLUDING, WITHOUT LIMITATION, THOSE OF MERCHANTABILITY AND OF FITNESS FOR A PARTICULAR PURPOSE, WITH RESPECT TO THE PRODUCT SOLD HEREUNDER. ACCO Brands' sole obligation under this warranty or any implied warranty, and the purchaser's sole remedy, is limited to the repair or replacement of the product or any defective part, at ACCO Brands' option. IN NO EVENT SHALL ACCO BRANDS, ITS AFFILIATES, SUBSIDIARIES, RELATED ENTITIES OR THEIR RESPECTIVE OFFICERS, DIRECTORS, OR EMPLOYEES, BE LIABLE FOR INCIDENTAL, CONSEQUENTIAL, PUNITIVE, EXEMPLARY, OR SPECIAL DAMAGES OF ANY KIND.

1.2 Safety

This machine is provided with safety equipment to promote safe machine operation.

The manufacturer has done everything possible to prevent any possible danger and to inform you as accurately and comprehensively as possible of any hazards relating to the operation of the machine.

You should nevertheless proceed with caution when operating the machine.

Read the safety instructions below and familiarize yourself with the warning symbols summarized in the Warnings section.

1.2.1 Safety features

Emergency stops

The machine has 2 emergency stops. When activated the machine will come to a complete stop and the power to the motor controller is switched off. The emergency stops must be disengaged before a restart is possible.

Optical safety devices

The machine has an optical safety device at the front side of the nip at the main rollers. These devices perform a check of the operation between transmitter and receiver.

When an error is detected (e.g. the signal is interrupted) the motor will stop and the motor controller will be disabled.

The stop signal from the optical device is overruled when the slow mode is selected and the footswitch is pressed or when the reverse button is held. An audible signal is heard to warn for possible danger.

Safety footswitch

The safety footswitch is used as remote control to start and stop the machine in the normal and the slow mode.



WARNING:

THE OPTICAL SAFETY DEVICE IS DISENGAGED WHEN USING THE SAFETY FOOTSWITCH IN SLOW MODE.

KEEP CLEAR OF THE NIP WHEN PRESSING THE FOOTSWITCH, WHILE SLOW MODE IS ACTIVE.

Slow mode

The slow mode is used when setting up the machine with new films or images.

When in slow mode the machine is started with the footswitch it will run at low speed so that the operator has both hands free to position and feed new film or image correctly into the machine.

1.2.2 Safety instructions

Work safely!

The owner of the machine is responsible for safe operation of the machine. He therefore is obliged to familiarize operating personnel with the contents of this manual and make them aware of all possible hazards.



WARNING:

DO NOT CHANGE, REMOVE OR DISABLE THE SAFETY FACILITIES.

1.3 Warnings

1.3.1 General ESD-warning



WARNING:

**DANGER OF ELECTRIC SHOCK BY ELECTROSTATIC DISCHARGE.
PROCESSING FILMS THROUGH LAMINATING ROLLERS WILL CAUSE BUILD-UP
OF ELECTROSTATIC CHARGES.**

Maintaining room humidity between 50% and 70% is the best preventive measure to reduce static buildup.

1.3.2 In this manual

In this manual you will find 3 levels of warnings.



WARNING:

**THE WARNING MESSAGE IS USED WHEN A LIFE-THREATENING SITUATION
MAY ARISE OR PERSONAL INJURY CAN OCCUR.
FOLLOW THE INSTRUCTIONS CLOSELY.**



CAUTION:

The caution message is used when there is danger of damage to the machine or materials.

- Follow the instructions to prevent this damage.

Note:

This message is used to give you useful information for easier operation, to prevent waste of material, etc..

1.3.3 On the machine

On the machine (See Figure 1) you will find the following warning symbols in black on a yellow background.

ROTATING PARTS (3)



DANGER OF GETTING INJURED BY ROTATING PARTS. MAKE SURE THAT THESE ROTATING PARTS DO NOT CATCH YOUR FINGERS, CLOTHING, HAIR, ETC. DANGER DE BLESSURES PAR LES PIÈCES EN ROTATION. S'ASSURER QUE CES PIÈCES EN ROTATION NE RISQUENT PAS D'ATTRAPER LES DOIGTS, LES VETEMENTS, LES CHEVEUX, ETC.

This symbol is placed on each cabinet just above the splitter bar (3).

ROTATING PARTS (1)



DANGER OF GETTING INJURED BY ROTATING PARTS. MAKE SURE THAT THESE ROTATING PARTS DO NOT CATCH YOUR FINGERS, CLOTHING, HAIR, ETC. DANGER DE BLESSURES PAR LES PIÈCES EN ROTATION. S'ASSURER QUE CES PIÈCES EN ROTATION NE RISQUENT PAS D'ATTRAPER LES DOIGTS, LES VETEMENTS, LES CHEVEUX, ETC.

This symbol is placed on in-feed table arms and on the cabinets just above the output table (1).

ESD SHOCK (2)



DANGER OF GETTING AN ELECTRIC SHOCK CAUSED BY ELECTROSTATIC CHARGE BUILD-UP IN THIS AREA. DANGER DE DECHARGE ELECTRIQUE PROVOQUEE PAR ACCUMULATION DE CHARGES ELECTROSTATIQUES DANS CETTE ZONE.

This symbol is placed on those places where electrostatic charges can be build-up. The machine parts close to the nip and the output material are most likely building up charges. Therefore ESD-symbols are placed on the image guide (2)



Figure 1: Warning symbol locations.

2 Description

This chapter describes the machine and its operating basics.

2.1 General description

The machine described in this manual is a mono-directional machine dedicated for processing pressure sensitive materials.

While feeding through images and the coating films, the two silicone coated main rollers generate the pressure.

The area where the upper and lower main roller meet is called the “nip”. The upper main roller can be moved up or down manually, so the nip can be varied to feed materials of various thicknesses. The nip setting hand wheel also sets the pressure for the laminating process.

The lower main roller is motor driven. The speed can be manually set between zero and a given maximum value.

The top roller is equipped with a heater to assist in the lamination process. The heat assist makes the adhesive more active and allows it to spread more evenly, which improves the results.

The machine has two material unwind shaft positions in the rear. The supports in the upper front position can clamp a (plastic) cylinder used for release liner wind-up.

The machine can be divided into an upper and a lower section.

The upper section, above the in-feed table, is suitable for unwind material with release liner.

The lower section can only unwind material without release liner.

2.2 Parts identification

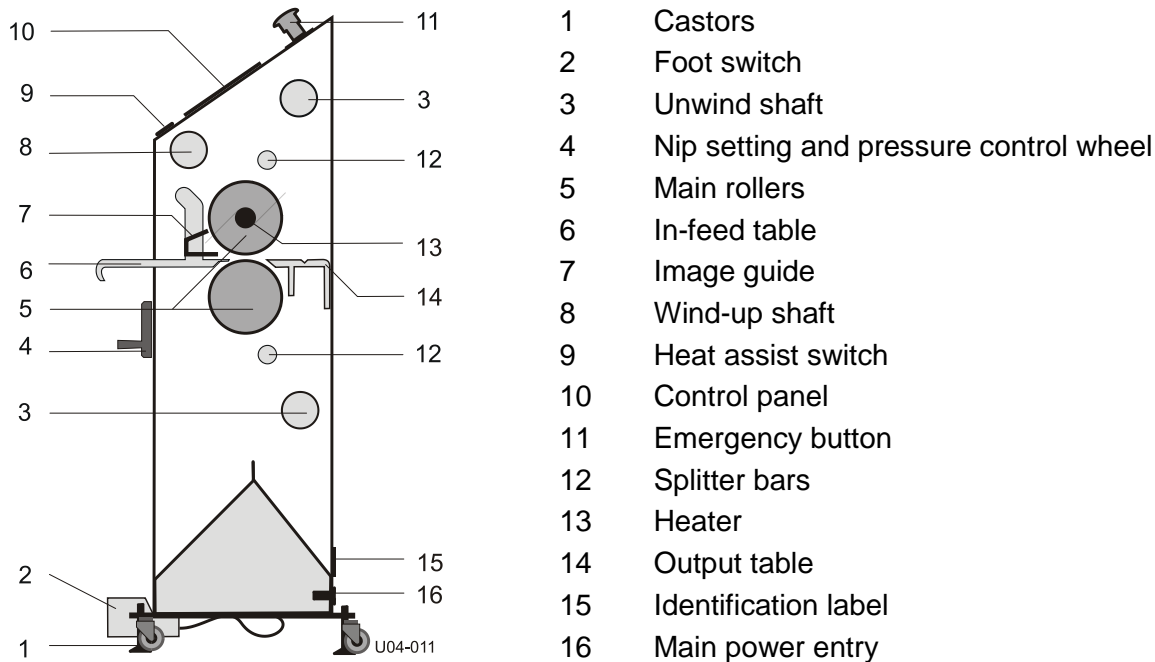


Figure 2: Main parts identification.

2.3 Process principle

In all processes the materials are fed through the nip from the front side to be joined together by pressure.

A process that makes maximum use of the machine is shown in Figure 3. Shown is a double sided laminating (decalling) process.

The top coating film is a pressure sensitive film with release liner (3) taken from a supply roll on the (rear) upper unwind shaft (5). The bottom coating film is a pressure sensitive (mounting) film without release liner taken from a supply roll on the lower unwind shaft (9).

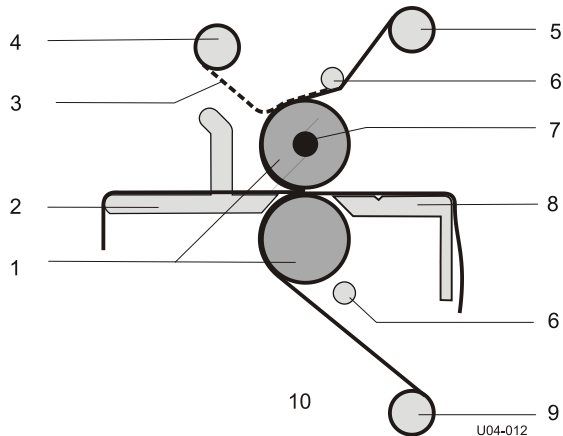


Figure 3: Creating Pop-up art, including image supply from roll.

The image that has to be coated on both sides is fed between the main rollers (1) via the in-feed table (2).

When using a pressure sensitive laminate, it often has a release liner (3) that has to be removed. As in the top half, it runs via a splitter bar (6) where the release liner is removed. This release liner is rolled up onto the wind-up shaft (4) in the upper section.

When using a pressure sensitive laminate without a release liner (like in the bottom section), it must not run via the splitter bar to avoid the film sticking to the bar and leaving adhesive residue behind.

A mounting film has adhesive on both sides and release liner on just one side. This release liner has to stay on until the image is mounted. So a mounting film is processed in the bottom section the same way as a laminate without release liner.

The upper main roller can be heated (7) to a fixed temperature of 40°C. This is called 'heat assist' and can be used to activate the adhesive to flow more evenly and get a better bonding between laminate and image.

3 Specifications

3.1 Identification

The machine identification label (example in Figure 4) is located at the bottom of the right-hand cabinet, on the rear side of the machine. This label indicates the model (version) and the rated power of the machine.



CAUTION: THE POWER SUPPLY MUST BE ABLE TO PROVIDE THE RATED POWER ACCORDING TO THE ELECTRICAL CODE REQUIREMENTS FOR THE AREA OF INSTALLATION. CONSULT YOUR LOCAL ELECTRICIAN FOR THE POWER SUPPLY REQUIREMENTS.

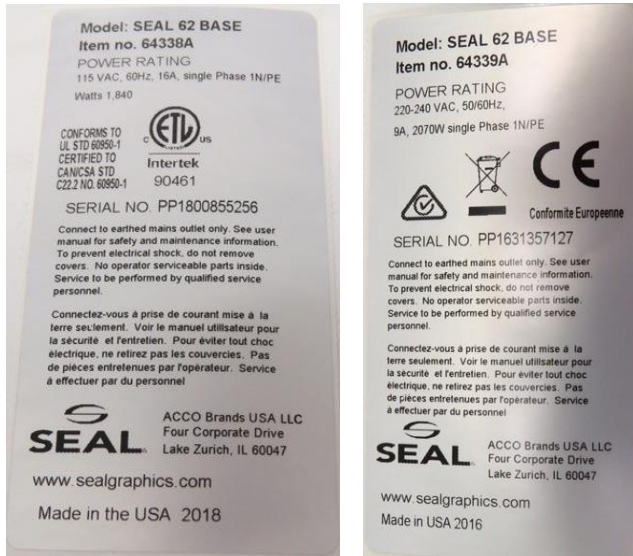


Figure 4: Machine identification label (example).

3.2 Machine dimensions

Uncrated:	Metric			American		
Model Type	54	62	Unit	54	62	Unit
Width	190.5	207.5	cm	75	81.7	in.
Height	130.8	130.8	cm	51.5	51.5	in.
Depth (excl. table)	47	47	cm	18.5	18.5	in.
Depth (incl. in-feed table)	63.5	63.5	cm	25	25	in.
Working height	90	90	cm	35.4	35.4	in.
Weight	232	252	kg	512	556.3	lbs
Crated:						
Width	221.7	221.7	cm	87.3	87.3	in.
Height	155	155	cm	61	61	in.
Depth	90	90	cm	35.4	35.4	in.
Weight	270	293.4	kg	595	646.5	lbs
Working area:						
Width	342	358.5	cm	135	141.5	in.
Depth	190 cm (75 in.) + 2x maximum board length					

Note: A relative humidity between 50% and 70% helps reducing ESD build-up.

3.3 Material specifications

Maximum width:	Metric	American
Process up to 40°C (104 °F) – 62 Base	1600 mm	63 in.
- 54 Base	1400 mm	55.1 in.
Maximum roll diameter: (same both models)		
Material unwind (upper unwind)	240 mm	9.4 in.
Material unwind (bottom unwind)	305 mm	1 ft.
Release liner wind-up	160 mm	6.3 in.
Maximum panel thickness:	50 mm	2.0 in.
Roll core inside diameter:	76.2 mm	3.0 in.

3.4 Machine specifications

Power ratings:	
Europe	1N/PE 230VAC +/- 10%, 50/60Hz, 9.0A
USA - 62 Base	1N/PE 115VAC +/- 10%, 50/60Hz, 16.0A
- 54 Base	1N/PE 115VAC +/- 10%, 50/60Hz, 15.0A (NEMA 5-20 plug supplied)

For the correct supply voltage version refer to the identification label on the machine.

Standard number of shaft positions:

Material unwind	2 (auto-grip)
Release liner wind-up	1

Nip setting:	0–52 mm	0 – 2.05 in.
---------------------	---------	--------------

Pressure:	0.3–1.0 N/mm	1.71 – 5.71 lbf/in.
------------------	--------------	---------------------

Process speed:

Maximum	5 m/min	16.4 ft/min
Slow mode	0.9 m/min	3.0 ft/min

Maximum roller temperature:	40 °C	104 °F
------------------------------------	-------	--------

Noise level	<70 dB(A)
--------------------	-----------

3.5 Optional features

The 54/62 Base “A” version has several options available. They are:

Item	Description	Part number
1	54 Base Infeed Trough Option	64619A
2	62 Base Infeed Trough Option	64614A
3	Leveling feet Option	5406A
4	54 Base Image Guide	64624A
5	62 Base Image Guide	64625A
6	Option 54 Base Lower Take-up W/ Plastic AutoGrip	64620
7	Option 62 Base Lower Take-up W/ Plastic AutoGrip	64618
8	POWER REAR TAKE UP OPTION 62 BASE	64696

Contact your sales representative or a customer service representative for more information.

Note: Some options may be included with your model.

4 Installation



WARNING:
INSTALLATION MUST BE CARRIED OUT BY SKILLED PERSONNEL.

4.1 Unpacking

At delivery, the machine is packed in a plastic bag to avoid moisture penetration. It is transported in a carton box and is fastened onto a wooden pallet.

Place the pallet in a space where there is enough room to roll the machine off from the pallet (approx. 6 m).



WARNING:
ROLL THE MACHINE OFF WITH 2 PERSONS. IT IS HEAVY AND CAN NOT BE CONTROLLED ALONE.

To unpack, follow the steps below (refer to Figure 5);

1. Cut the straps.
2. With another person, lift off the carton box and remove any loose packing material.
3. Remove the plastic bag and put the accessories aside.

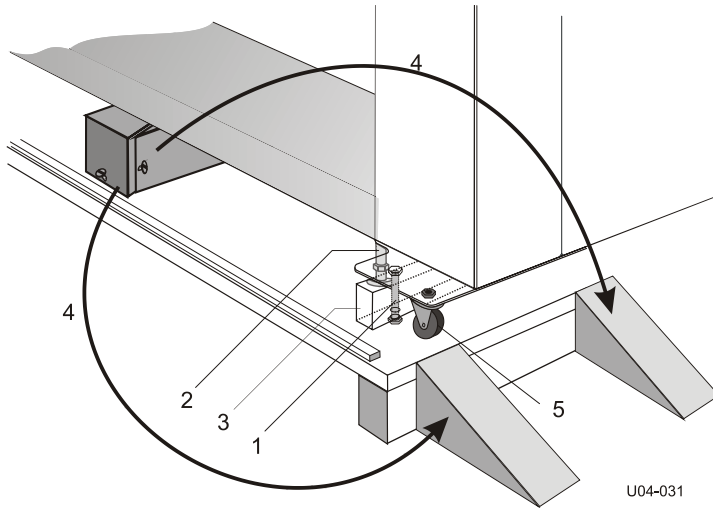
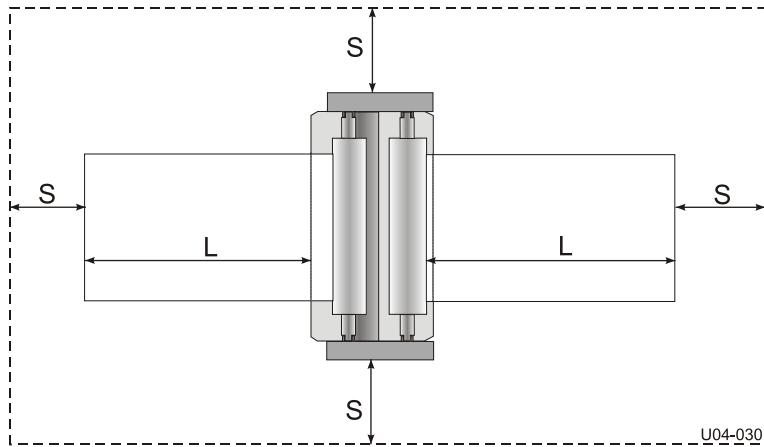


Figure 5: Ramp positioning.

4. Remove the four securing bolts (1) and stabilizing blocks. Remove screws holding center support and remove support.
5. Unscrew wood screws holding the ramp (4). Place the ramp (4) against the roll-off side of the pallet so that the castors (5) will run clear from the edge.
6. With another person, roll the machine off carefully from the pallet using the ramp.
Note: Save all packing material for later if moving over long distances or discard according to local regulations.

4.2 Installation



Note:

Make sure that the machine, in its final location, has adequate space. You will need room to feed, receive and trim images. See Figure 6.

L = Maximum board length,
S = Minimum space 60 cm.(24").

Figure 6: Working space.

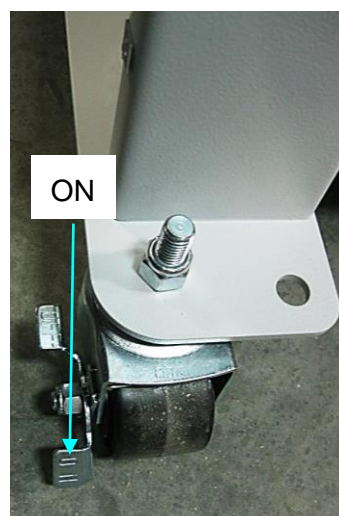
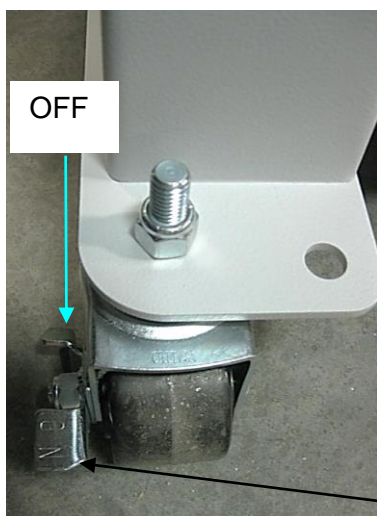
1. Move the machine (and the accessories) to its final location.
2. Remove all transport material.
 - Cut the straps around the shaft supports and remove the foam pads,
 - Cut the straps holding the in-feed table arms,
 - Cut the straps around the main roller axis and move up the top main roller to remove the transport blocks from the nip,
3. Secure machine in place with foot by stepping on the front caster's locking mechanisms. (See figure 6.)

Note: An uneven floor may affect lamination quality. In the case of an uneven floor, please contact customer service for the machine leveling option.



WARNING:

MACHINE MUST BE SECURED IN PLACE BEFORE USING.



Locking
Lever

Figure 7 : Securing machine

! **CAUTION:** Check the mains values before connecting. See section 3.4 for power supply details. Only if absolutely necessary, use an extension cable of ample capacity. Unroll the extension cable completely.

4. Connect the machine to the mains using the power cable supplied with the machine. Minimum recommended service, standard 50Hz or 60Hz, single phase 230VAC 13A with breaker not exceeding 16A or single phase 115VAC 20A with a breaker not exceeding 20A.



WARNING:

MAKE SURE THE POWER SUPPLY CABLE AND/OR THE EXTENSION CABLE IS NOT BLOCKING YOUR WAY AROUND THE MACHINE.

4.3 Transport

The machine can be transported on a smooth surface on its castors.

! **CAUTION:**
Unlock front wheel before moving machine.

- When moving the machine on rough surfaces or over long distances, use the original pallet and packing material and and move it with a pallet truck or forklift.

5 Operation

This chapter describes the function of the controls and indicators, the operating modes, how to set up and operate the machine and a number of applications. The sections in this chapter are placed in a sequence in which the information is needed for laminating processes. For the mounting process the sections 5.3 and 5.4 can be skipped with the exception of setting the pressure (see section 5.4.5).

5.1 Process controls

This section gives an overview of the functions of the controls on the control panel (7) and elsewhere on the machine (Figure 8).

Note: Switch on the heat assist approximately 15 minutes before use, if a process requires the rollers to be heated, close the nip and run the machine at low speed to avoid uneven hot spots.

5.1.1 Control panel

This paragraph describes the controls and indicators on the control panel.

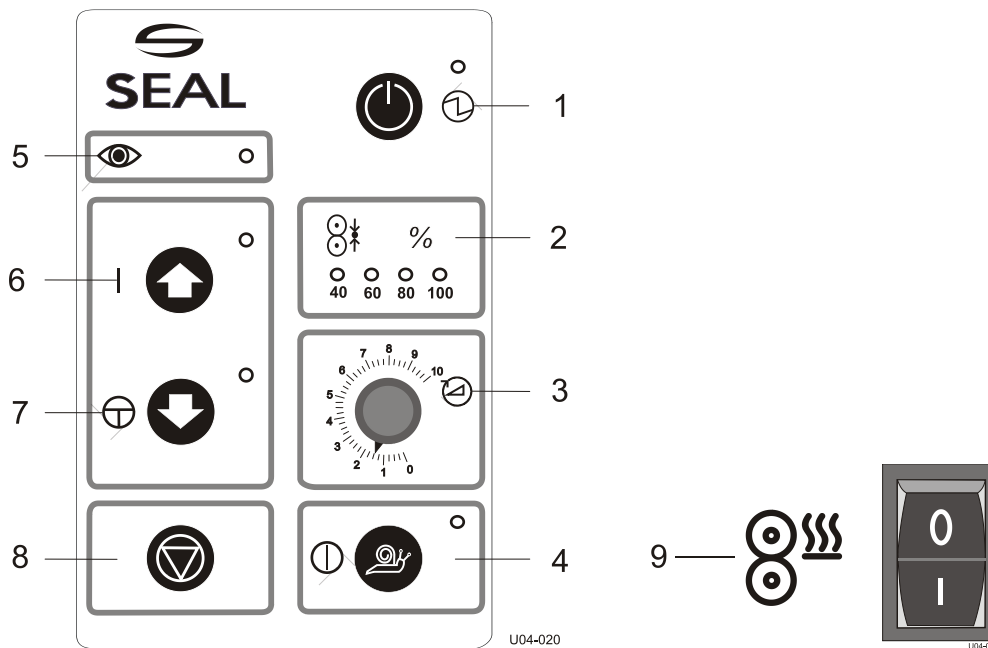


Figure 8: Control panel



Control ON/OFF (1), toggle pushbutton and standby or ON indication LED; Press the switch 1 second to switch the machine from stand by to active and back. The LED flashes when the machine is in stand-by mode.



WARNING:

THE MACHINE IS CONSTANTLY POWERED WHEN THE POWER CORD IS PLUGGED IN.



Pressure indication (2), 4 LED's;

The LED's indicate the pressure setting of the main rollers. When 2 LED's light at the same time, they indicate the tens in between. See specifications for actual pressure range. All four LED's flashing indicates a pressure or nip setting error.

The LED's start flashing at 10% overload. When the pressure exceeds a 20% overload an audible signal is generated. Increase the nip to lower the pressure.



Speed control (3), control knob;

Sets the speed anywhere in a range between 0 and 10 (See specifications for actual speed range).



Slow mode (4), toggle pushbutton;

Press 1 second to switch slow mode ON or OFF.

To run at slow mode speed the footswitch must be pressed.

The LED will light when slow mode is selected.



CAUTION:

When slow mode is active the machine can still run at high speed.

Slow mode indication is NOT a speed indication. It is a working method.



Safety indicator (5), LED;

The LED will light up when the beam of the optical safety device at the input side of the nip is not interrupted.



Forward (6), pushbutton;

Press to start the rotation of the rollers in the forward direction.

The LED will light when the forward mode is selected.

When the LED flashes it indicates a motor overload. Press the stop button and check the material flow and the tension setting of the unwind shafts.



Reverse (7), snap pushbutton;

Press and hold for rotation of the rollers in reverse direction.

The LED will light when the reverse mode is selected.

When the LED flashes it indicates a motor overload. Press the stop button and check the material flow and the tension setting of the wind-up shafts.

Forward and reverse indicator flashing;

This indicates a system error. Disconnect and then reconnect the power. If the error persists, contact your service organization.



Stop (8), pushbutton;

Press to stop the rotation of the rolls.



Heat-assist (9), ON/OFF switch

Switches the heat-assist control ON or OFF. When ON the upper roller will be heated until it reaches 40 °C or 104 °F. Allow ample time to reach this temperature.

5.1.2 Additional controls

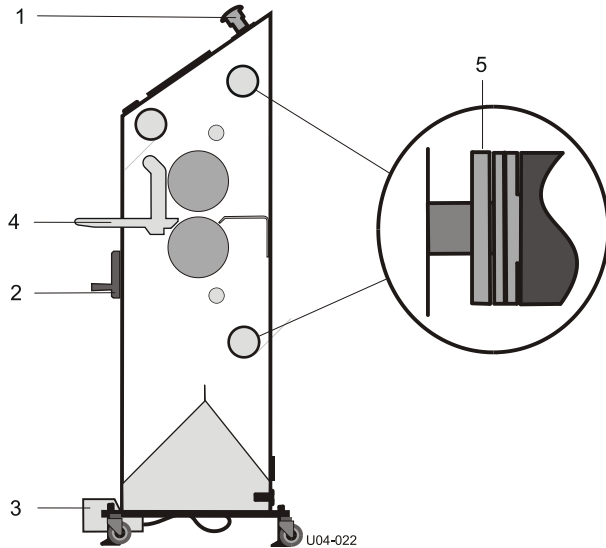


Figure 9: Additional controls

Emergency stop buttons (1), push and hold button;

When pressed the rotation of the rolls is stopped immediately and the button is locked into this stop position. The safety indicator LED will flash while the button is depressed.

Turn the button to unlock it.

Pressing start, reverse or pressing the footswitch starts the process again.

Nip setting wheel (2), geared wheel;

- ↓ ○ Turn the wheel clockwise to narrow (close) the nip and set pressure or
○
↑ ○ counter-clockwise to release pressure and widen (open) the nip.
○

When both rollers touch the materials, the pressure is set. By turning the wheel clockwise the pressure is increased. Turning the nip setting wheel counter-clockwise the pressure will decrease.

The pressure is indicated on the control panel by 4 LED's.

Foot switch (3), snap switch;

Press and hold the switch to start the rotation of the rolls. Insert the forefoot completely to disable the safety lock that prevents accidental starting.

When the switch is released, the rotation of the rolls will stop.

In-feed table (4)

The in-feed table can swing up around the pivot point at the top of the table arms.

The image guide is clamped to the table arms and can be removed by pulling it forward from its retaining blocks.

Unwind tension control (5), ring;

By turning this ring counter-clockwise (top to rear) an amount of friction is set between the shaft and the frame, so this will act as a brake.

Tightening the brake will apply more tension to the material on the shaft.

Turning the ring clockwise (top to front) will release the brake and therefore release the tension.

5.2 Operating modes

The machine is either in normal mode, or slow mode.

5.2.1 Normal mode

When slow mode is not activated (normal mode), the rotation speed of the rollers is set via the speed control knob.

Start rotation by pressing the forward button or the footswitch.

Rotation stops when a stop button is pressed or the footswitch is released.

Note: To return control from the footswitch to the control panel without stopping, press and hold the forward button, release the footswitch and then release the forward button.

An interruption of the light beam of the optical safety device in front of the rollers will also stop the rotation of the rollers. To continue after the interruption is taken away, the process must be started again.

Reverse



WARNING:

KEEP CLEAR OF THE REAR SIDE NIP WHEN RUNNING IN REVERSE MODE.

When running in reverse, the optical safety device at the front side nip is ignored. An audible tone is heard to warn you for possible danger. The speed is preset and works the same as slow mode. The rollers will only turn in reverse while the reverse button is held.

5.2.2 Slow mode

Enter or leave Slow mode by pressing the slow mode button for 1 second. The selection is indicated by the slow mode indication LED. Entering slow mode will not change anything to the current movement of the rollers. In slow mode the rollers can run at normal or at slow mode speed.

Normal speed

Press the forward button in slow mode to run at a normal speed determined by the speed control setting (see normal mode).

To start at slow mode speed or to switch from normal (forward) to slow mode speed just press and hold the footswitch (when slow mode is selected).

Slow mode speed

Press and hold the footswitch in slow mode to force the rollers to run forward at a low speed. The speed can be adjusted when running in slow mode. The speed can be adjusted down to zero, but cannot be adjusted any higher than maximum allow in slow mode (0.9 mpm or 3 fpm). The position of the speed pot will be about the same as in normal mode to produce the same speed.

Slow mode speed with the footswitch always runs in the forward direction.



WARNING:

KEEP CLEAR OF THE NIP WHEN RUNNING AT SLOW MODE SPEED.

When running at slow mode speed, the optical safety devices are ignored and an audible signal is heard to indicate danger. When the footswitch is released, the forward rotation is stopped.

Note: To change from slow mode speed to normal speed without stopping, press and hold the forward button, release the footswitch and then release the forward button.

Changing to normal speed will not deactivate slow mode.

Pressing the footswitch again will slow down rotation to slow mode speed again.

5.3 Placing film rolls

This section describes the loading of the machine with laminating or mounting films. The films are loaded onto the shafts at the rear side of the machine.

Note: Always work in the center of the machine.

Select films that are slightly wider than the print width of the image. This way the print can be trimmed with a border, but waste is reduced.

5.3.1 Auto-grip shafts

Both shafts in the rear of the machine are the same. Your machine may have the plastic Auto-grip shafts which look different than the figure below but function the same. The shafts fit into the machine in both ways.

On the control panel side of the machine all the shafts and the supports snap together.

A spring inside the left-hand side support pushes the shaft into locking position when the shaft is turned. To position the shaft correctly turn the shaft until it locks in.

Check the auto-grip mechanism on each shaft. The rubber cords should just not touch the edges of the recess ($10A: d = 8 \pm 2.5 \text{ mm} = 5/16 \pm 3/32 \text{ in.}$).

If not, see chapter 6 Maintenance.

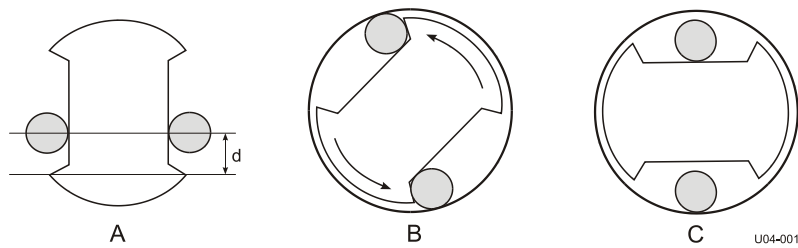


Figure 10: Auto-grip shaft

When the shaft is rotated inside a cylinder, the rubber cord will move to the side and gets caught between shaft and cylinder (Figure 10B). Rotating back will release the cord.

Auto-grip shaft lock.

To prevent the auto-grip shaft from jumping out of its support, a locking plate is installed on the left hand support. To take out the auto-grip shaft:

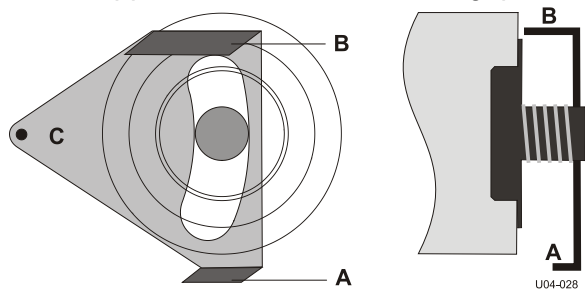


Figure 11: Auto-grip locking bracket.

1. Move the locking plate (C) with your right hand at (A) in the upper position ((B) is above the shaft).
2. Push the shaft with your left hand, to the right against the spring and remove it from the support at your left-hand side.
3. Now with both hands take out the shaft.

5.3.2 Loading shaft with film rolls

The film roll is put on the shaft depending on the type of film and the use in the upper or lower section of the machine. In general pressure sensitive film with release liner (A) is rolled up with the liner (3) and adhesive (2) to the outside of the film (1), whereas film without release liner (C) has its adhesive layer to the inside of the roll. However, North American pressure sensitive films in general have the release liner on the inside of the roll (B).

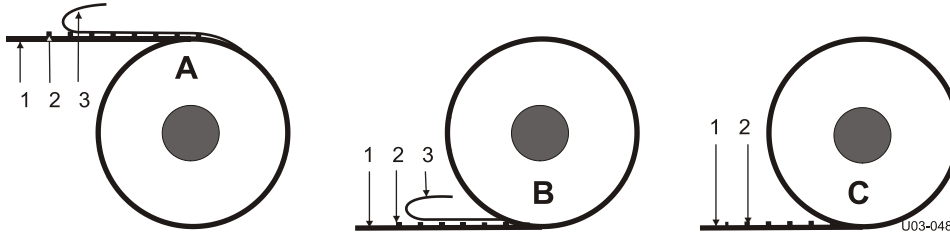


Figure 12: Film rolls.

- In the upper section, the adhesive (2) side in contact with the image and the release liner (3) must be on the top when unwinding the film to the front of the machine.
- In the lower section, the adhesive (2) side in contact with the image must be on the bottom when unwinding the film to the front of the machine.

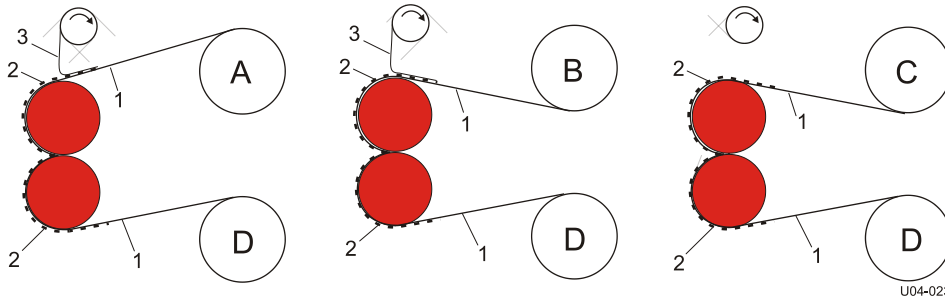


Figure 13: Film adhesives.

1. Take the auto-grip shafts from the unwind positions of the machine.
2. Slide the shafts into the film rolls.
3. Place the shafts back into their supports as described above.

Unwind direction of film towards the front of the machine:

in the upper section;

- film with release liner on the outside unwinds from the top (A),
- film with release liner on the inside unwinds from the bottom (B),
- film without release liner unwinds from the bottom (C).

in the lower section;

- film without release liner unwinds from the top (D).

4. Turn the shaft until the grippers lock in.
5. Position the film and the scrap core in the middle and align them.

Note:

When both upper and lower section are used, place both films at exactly the same position.

6. Make sure the films are set up and aligned properly.

5.4 Webbing

For laminating processes the machine must be webbed before images on thin film or on panels can be processed. The machine can be webbed for single sided or double sided processing.

When mounting images the machine is not webbed.

Note: In single sided processes adhesive residues will stay behind on the bottom roller where the film is wider than the images. To prevent this, use film of the same width as the image. Or, a release liner of the same width as the top film can be used in the bottom section. The release liner can easily be removed later on.

When processing panels, a leader panel (waste panel equal to the panels to process) is needed to feed in the film and set the pressure and tension.

When processing thin images a release board is needed to feed in the film. When this panel is through, the nip is set to zero and the images can be fed. The release board is then cleaned and can be used again.

5.4.1 Release liner and splitter bars

In the upper section, when processing film with release liner, the splitter bar is used to split release liner from the film. The release liner is wound-up on the tube in the front of the machine.

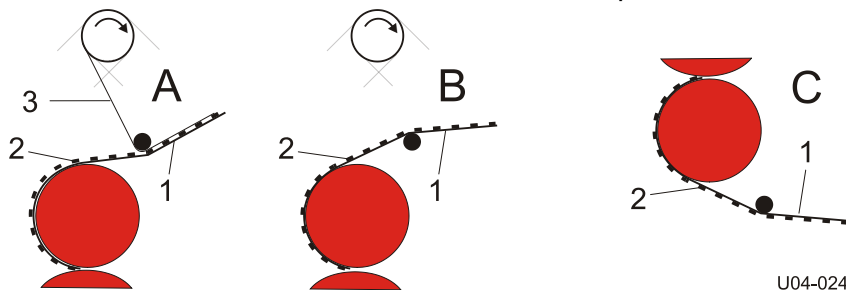


Figure 14: Use of a splitter bar.

The film with release liner (A) is running underneath the splitter bar, where the release liner is split off. Film without release liner (B) would leave adhesive remains behind on the splitter bar, so this is lead over the splitter bar. In the lower section (C), the film is running underneath the splitter bar to avoid adhesive remains staying behind on it.

5.4.2 Using the upper section only

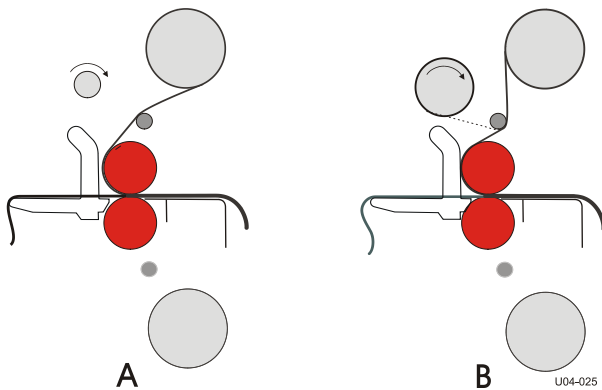


Figure 15: Webbing upper section.

1. Remove the image guide.
2. Unwind the film from the upper or top unwind roll.
 - Feed a film without release liner over the splitter bar (A).
 - Feed a film with release liner underneath the splitter bar (B).

3. Pull the film forward until approximately 10 cm (4 in.) is on the in-feed table.
If the film has a release liner:
 - Peel off the release liner.
 - Pull the release liner up and stick it to the tube on the wind-up position.
4. Stick the leader panel to the film and feed the panel into the nip using slow mode.

Note: Use a carrier board when processing thin images.

5.4.3 Upper and lower section

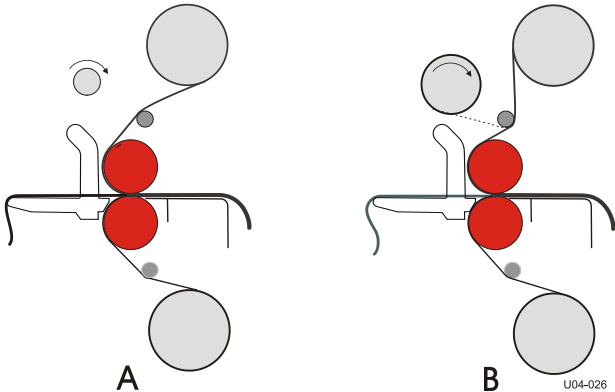


Figure 16: Upper and lower section webbed.

The film in the upper section is webbed first

1. Feed the film underneath (B) the splitter bar (between splitter bar and upper roller)
 - Film without a release liner must be fed over the splitter bar (A).
2. Pull the film forward until it almost reaches the in-feed table and apply it to the upper roller.

If the film has a release liner (B):

- Peel off the release liner,
- Pull it up and stick it from below onto the tube on the wind-up position.

Now web the lower section

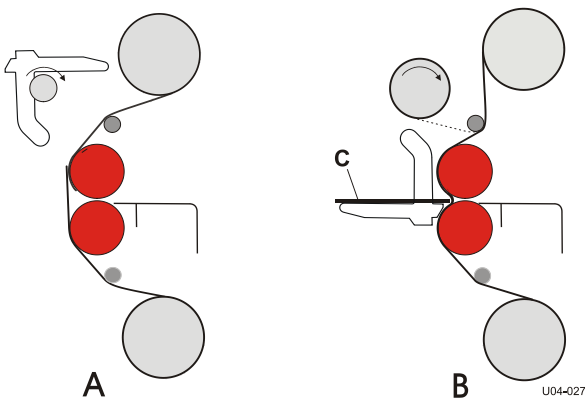


Figure 17: Webbing lower section.

3. Lift the in-feed table and put it in the upper position (A).
4. Unwind the film from the lower unwind roll.
5. Pull the film forward underneath the splitter bar until the end reaches above the nip and stick it to the film from the upper section.
6. Lower the in-feed table.

7. Push the films with a leader panel (C) into the nip using slow mode (B).

Note: Use a leader panel of the same material, thickness and width as the panels to process. Use a release board when processing thin images.

5.4.4 Presetting the tension

To enable the film to unwind without wrinkles tension (brake) can be set to the roll.

On the right-hand (control panel) side of the machine you will find a tension control ring on each shaft. Turn the tension control ring counter-clockwise (top to rear) to set the tension or clockwise (top to front) to release the tension.

When the film is webbed, it is recommended to set a low tension to each shaft by turning the ring counter-clockwise until you feel some resistance. This will prevent film from unwinding without tension.

5.4.5 Pressure setting

Thin images

When processing thin images (printer output, posters, etc.) pressure is preset when the upper and lower material is webbed. When the leader panel or release board is through the nip, the nip is set to zero and pressure is preset. The best pressure setting for thin films is about 80%. During processing the pressure can be adjusted.



CAUTION:

Soft panels (Foam) require less pressure. Set the pressure proportional to the rigidity of the foam between 40% and 80% to avoid permanent compression marks.

Panels

When processing panels, a leader panel is used to web the film(s). This leader panel is at the same time used to preset the pressure.

Use a leader panel of the same material, thickness and width as the panels to process.

1. Set the nip to the thickness of the panel.
2. Feed the leader panel into the nip in slow mode.
3. When the edges of the film(s) are through the nip, set the pressure to approximately 80% for full-width panels.



CAUTION:

For narrower (or soft) panels set the pressure proportional to the width (rigidity) between 40% and 80%. E.g. half width equals 60%.

Mounting boards

Use a leader panel of the same material, thickness and width as the panels to process.

1. Set the nip to the thickness of the panel.
2. Feed the leader panel into the nip in slow mode.
3. When the panel is halfway in the nip, set the pressure between 70 and 80% for full-width panels.



CAUTION:

For narrower (or soft) panels set the pressure proportional to the width (rigidity) between 40% and 80%. E.g. half width equals 60%.

4. Back-up the panel out of the nip

Note: The image will add approximately an additional 5 to 10% to the pressure.

5.5 Processes and settings

5.5.1 Mounting images or decals

In this process the machine is not webbed with film.

- When mounting images onto a (pre-coated) board (B), the adhesive is on the mounting side of the board.
- When mounting decals (A), the adhesive is on the back of the image.

The mounting process is equal for both.

1. Remove the shaft from the upper front position.
2. Preset the nip and the pressure (see section 5.4.5).
3. Put the board on the in-feed table.
4. Put the image on top of the board (image side up). Turn back the image at the machine side (1).
5. Turn back approx. 25 mm (1.0 in.) release liner (2) at the machine side and crease this evenly from the inside out.

Note:

The final quality depends on the way in which the leading edge of the image is applied to the board.

6. Apply the image (3) to the board (C).
7. Insert the edge with the image adhered to into the nip (D).
8. Lay the loose end (4) of the image smoothly over the upper roller.

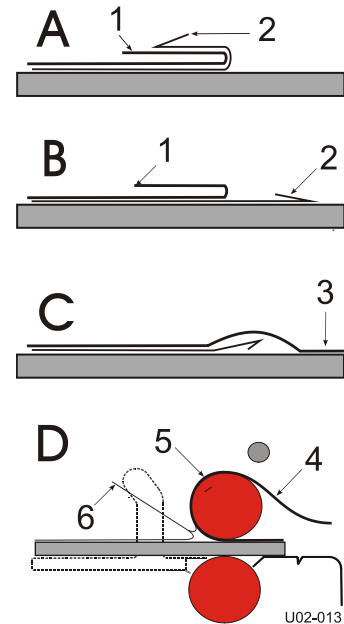


Figure 18: Mounting images or decals

Note:

Use the footswitch to start/stop in slow mode, keeping your hands free.



WARNING:

**KEEP YOUR FINGERS CLEAR OF THE NIP.
THE OPTICAL SAFETY DEVICE IS NOT FUNCTIONING WHEN USING THE
FOOTSWITCH IN SLOW MODE.**

9. With your left hand - peel back the release liner (6) from the image or board as it is slowly fed into the nip one section at a time, without stopping.

Note:

Removing the release liner completely exposes the adhesive to dirt and dust that will get trapped under the image.

10. With your right hand - keep the image smooth against the upper roller (5), preventing the image from wrinkling.

Note:

For the best result; do not stop while feeding an image.

5.5.2 Pre-coating panels

This process is used to coat boards (substrates) with a pressure sensitive mounting film onto which images can be mounted. This process can also be used to create a carrier board. In this case a film with a non-stick surface is used.

Note: The mounting film is usually provided with one release liner. Place the film in the upper section and web it as if it has no release liner (over the splitter bar).

1. Place the roll of mounting film on the shaft of the upper unwind position.
2. Set the nip to correspond to the thickness of the panels to be processed.
3. Web the film using a leader panel of the same material, thickness and width.
4. Set the pressure while feeding the leader panel.
5. Before the end of the leader panel enters the nip, butt up the panel to be pre-coated.
 - When more panels have to be pre-coated feed them in continuously without gap.
 - At the end, use a leader panel again to finish. This prevents the adhesive from touching the bottom roller.
6. End with a leader panel and feed this board until the previous panel is out of the nip.



CAUTION:

Do not cut film close to or on the rollers. This will damage the silicone coating of the rollers and will void the warranty.

7. Cut this panel free using a blade cutter.
8. Back-up the leader panel using the reverse.
9. Cut the film using a safety blade cutter.

After removing the release liner from the pressure sensitive mounting film, the board has an adhesive coating ready to mount an image. See section 5.5.1 for mounting images.

5.5.3 Over-lamination

After an image is mounted to a panel, a protective laminate can be applied.

This process is the same as pre-coating a board (section 0).

The over-laminate can be a pressure sensitive adhesive with or without release liner.

5.5.4 Single-sided lamination

Images can be laminated single-sided with or without using carrier (or release) boards.

This laminate can be a pressure sensitive adhesive with or without release liner.

Disadvantage of the single sided lamination process is the adhesive residue that can stay behind on the rollers where there is no image.

To avoid this, carrier boards or release liner can be used. Or the image must be wider than the laminate and pieces of scrap material must be used to begin and end with.

Using carrier boards

- Web the upper section of the machine as described above (section 5.4.1).
- Put the image on a carrier board with the image side up and follow the steps for pre-coating a board (section 0).

Using release liner

- Use a roll of release liner in the lower section.
- Web the upper and lower section of the machine as described above (section 5.4.3).

When the images are cut from the result, the release liner will separate from the image automatically.

5.5.5 Decaling

When decaling, a laminate is put over the image side and an adhesive backing is put on the backside of the image.

1. Load and web laminating films in the upper and the lower section as described in section 5.4.3.
2. When the leader panel is completely out of the nip, lower the upper roller onto the bottom roller (nip setting = 0) and set the pressure to approximately 80%.
3. Now feed the images into the nip, allowing a gap between them.
4. Cut the result with a safety blade cutter when the images are clear of the rollers.

This decal can later be mounted onto a panel or other substrate.

5.6 Unloading

To unload the machine:

1. Cut the result after the last image (panel before the leader panel).
2. Cut both films along the splitter bar using a safety blade cutter.
3. Open up the nip and remove the (leader panel and) films from the rollers at the rear.

To unload a roll from the shaft:

4. Turn the material roll in the wind-up direction to free the autogrip cords.
5. Take out the autogrip shaft.
6. Remove the material roll from the autogrip shaft.

6 Maintenance

6.1 Cleaning

The machine has to be cleaned regularly. Dirt and dust will have a negative influence on the result of the lamination processes.



CAUTION:

Do not use abrasive materials for cleaning the machine. This can damage the painted surfaces or the silicone covering of the rollers.

Use a damp cloth for cleaning.



CAUTION:

Make sure water does not run into any of the cabinets. This can damage the electrical circuits when power is applied.

Clean the exterior of the machine with a damp cloth as needed. If necessary, use a household-cleaning solution to remove difficult marks.

Clean the shafts and the rubber cords on it as required.

6.1.1 Cleaning the silicone covered rollers.

The rollers must be cleaned regularly to prevent a build-up of adhesive residue. This may eventually damage the rollers.

Use a damp lint-free cloth to remove dust and other dirt.

Use a silicon-cleaning block to remove the adhesive stains from the rollers.

Note:

Adhesive is easier to remove when the rollers are hot.

Put a waste panel between the rollers when cleaning the upper roller, to prevent adhesive remnants from falling onto the lower roller.



WARNING:

MAKE SURE THE ROLLERS ARE COLD WHEN USING ALCOHOL FOR CLEANING. ISOPROPYL ALCOHOL IS VERY FLAMMABLE.

Difficult stains can be removed with the aid of isopropyl alcohol (IPA) and a clean lint-free cloth.

Do not pour isopropyl alcohol directly on the machine.

6.2 Preventive maintenance

Our machines are designed in such way that they need little (preventive) maintenance in addition to the cleaning.

The following checks have to be performed:

- Auto-grip shafts with blocking cords.

6.2.1 Auto-grip shafts

Check the auto-grip mechanism on each shaft.

- The distance (d) between the rubber cords and the edges of the recess should be 8 ± 2.5 mm ($5/16 \pm 3/32$ in) minimum (the cord must not touch the skew).

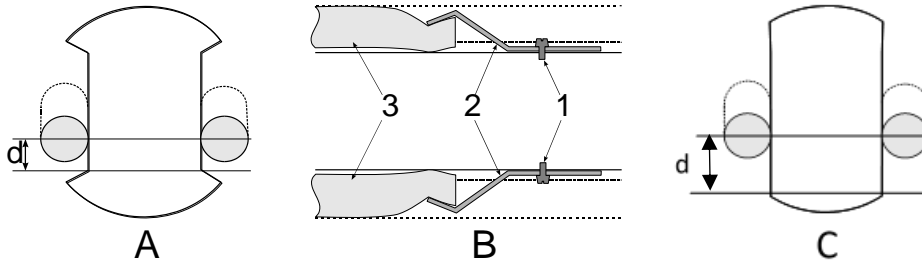


Figure 19: Auto-grip shaft

If not, correct as follows:

- Loosen the clamp (2) with the screw (1) until the cord is free on one side,
- Shorten the cord by approximately 10 mm (0.4 in.),
- Put the end of the cord back underneath the clamp (2),
- Secure it by tightening the screw (1).

6.3 Troubleshooting

During processing wrinkles can show up in the image (1) on the in-feed table (2) and in the process result (4) on the output table. The figures below show some examples where it is caused by the main rollers (3) and gives a possible solution.

Wait until a few meters is processed to see results.

Pressure too high.

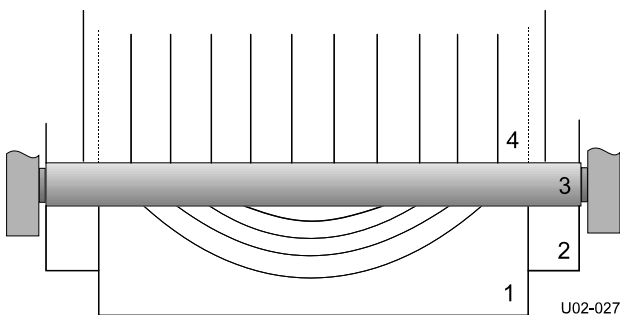


Figure 20: Wrinkles due to high pressure.

- Decrease the roller pressure a little (5-10%).

Pressure too low.

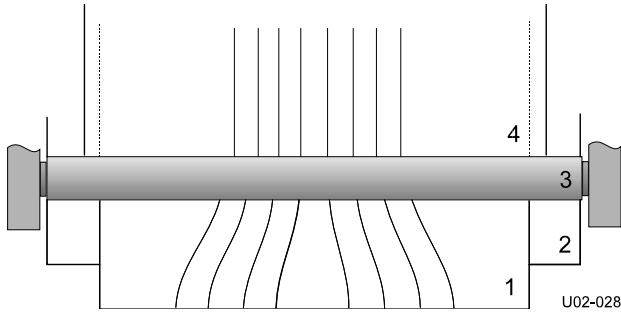


Figure 21: Wrinkles due to low pressure.

- Increase the roller pressure a little (5-10%).

Unwind tension too low.

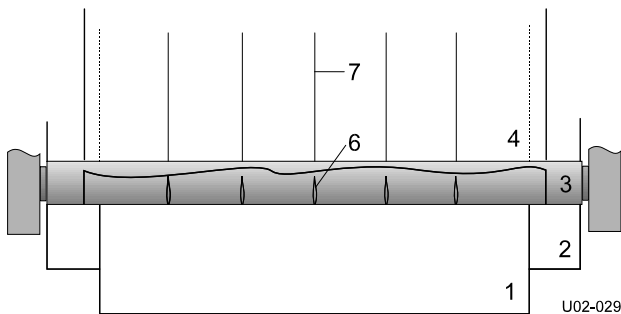


Figure 22: Wrinkles due to low unwind tension.

- Increase the unwind tension until the wrinkles (6) in the film on the roller disappear. The lines (7) in the process result will disappear as well.

Roller alignment fault.

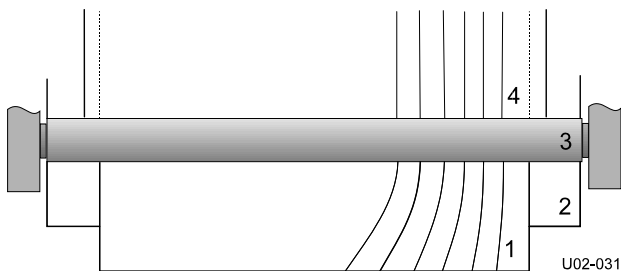


Figure 23: Wrinkles due to faulty roller alignment.

The wrinkles occur on one side only (left or right).

- This is a machine adjustment error. Contact your dealer and ask for technical assistance.

6.4 Technical assistance

For technical assistance you can contact your dealer or the address on the copyright page in the front of this manual. Make a clear description of the problem before contacting technical assistance.

Please keep the type and serial number of your machine at hand.

You can find this data on the identification plate of your machine, which can be found on the rear side of the right cabinet.

7 Process Control Sheet

Note: We recommend that you make a photocopy of this page. With each successfully run application, record the process and settings and a diagram of the webbing procedure. Keep the record so the application can be repeated at a later date.

Hint: If a standard image is made available for each new process then sales materials and samples can be developed for reference.

LAMINATOR SETTINGS

Media: _____

Process: _____

Application Use: _____

Upper Unwind Shaft: _____

Lower Unwind Shaft: _____

Wind-up Shaft: _____

Front Control Panel Settings

Main Roller Pressure: _____

Motor Speed Setting: _____

Heat Assist: [On/Off] _____

WEBBING SETTINGS

Web Tension Upper Unwind Shaft:

Light / Med. / Heavy _____

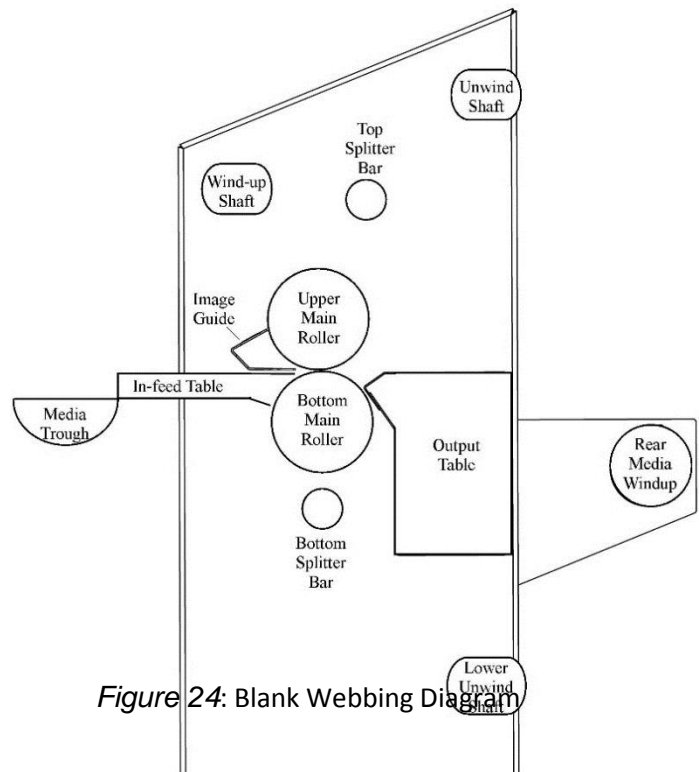
Web Tension Lower Unwind Shaft:

Light / Med. / Heavy _____

Images: Sheet Fed / Roll Easel _____

Top Splitter: [Over/Under] _____

Bottom Splitter: [Over/Under] _____



English

8 Glossary

Carrier board or sled

A board with a non-stick surface that is used to support the image when laminating one side of an image only.

Decal

An image with an adhesive backside (Am.: Sticker).

Decaling

Providing an image with laminate on the image side and adhesive on the backside.

Encapsulating

Sandwiching an image between two heat sensitive films. (Not possible on this machine.)

Laminate

A thin film of clear material to be permanently affixed onto an image.

Laminating

Providing an image with a thin film of clear material.

Leader panel

A (waste) piece of rigid foam board with the same specifications as the panels to process. It is used to lead film into the nip of the main rollers and to set the pressure.

Main rollers

A set of two silicone coated rollers that perform the actual process.

Mounting

Permanently affixing an image onto a backing board.

Mounting film

Adhesive backing to make an image self-adhesive. On the side that is in contact with the image the carrier has an adhesive with or without release liner. The carrier can function as release liner or be supplied with a second (cold) adhesive layer and release liner.

Nip

The area where the top and bottom main rollers meet is called the nip.

Pre-coating

Coating a substrate with an adhesive mounting film onto which an image can be mounted.

Release board

Thin (plastic) board with a non-stick surface on both sides. Used when webbing for non-panel processes. This board can be cleaned and used more than once.

Release liner

Backing film protecting the adhesive layer of a laminate or mounting film. Once the release liner is removed, the adhesive layer becomes exposed.

Roll

A (shaft with a) cylinder loaded with film or release liner.

Roller

One part of the main element in the machine that performs the actual process (see main rollers).

Scrap core

An empty cardboard cylinder left over when all material on a roll is used.

Webbing

Loading the machine with film, so that the machine is ready for processing.

Contact Us:

SEAL Brands Technical Service – US & Canada

Ph: 1-800-486-6502

Fax: 1-800-966-4554

Email: tsorder@acco.com

SEAL Brands Customer Service – US & Canada

Ph: 1-800-257-7325

Fax: 1-800-966-4554

Email: csorder@acco.com



www.sealgraphics.com



ACCO BRANDS

Four Corporate Drive

Lake Zurich, IL 60047-8997

accobrand.com