


Technical Support Assistance technique

Australia	1300 881 931	Japan	04-7129-2135
België / Belgique	02 401 2395	México	55 15 00 57 00
Brasil	14 3235-4003	Nederland	010 713 1882
Canada	1 800 268 3447	New Zealand	0800 539 26273
China	400 0684 219	Norway	80017520
Denmark	80 250966	Österreich	0800 677 873
Deutschland	0692 222 3654	Polska	22 570 18 00
España	911 146 735	Portugal	800855802
Finland	0800 9 15697	Russia	007 495 933 5163
France	01 7671 0404	Schweiz / Suisse	044 580 6667
Hong Kong	00852 2823 5130	Sweden	08 5033 6577
Hungary	06 20 9430 612	United Kingdom	0203 364 5390
Ireland	01 431 1395	United States	1 800 535 4242
Italia	02 3604 7030	International Toll	+31 53 484 9135

Kensington and the ACCO name and design are registered trademarks of ACCO Brands. All other registered and unregistered trademarks are the property of their respective owners.

©2018 Kensington Computer Products Group, a division of ACCO Brands. Any unauthorized copying, duplicating, or other reproduction of the contents hereof is prohibited without written consent from Kensington Computer Products Group. All rights reserved. 02/18

 Kensington Computer Products Group
A Division of ACCO Brands
1500 Fashion Island Blvd, 3rd Floor
San Mateo, CA 94404



ACCO Brands Europe
A Division of ACCO Brands Europe
Oxford House, Oxford Road
Aylesbury, Buckinghamshire,
HP21 8SZ
United Kingdom

Importado por ACCO Mexicana S.A. de C.V.
Circuito de la Industria Norte # 6,
Corredor Industrial Toluca Lerma,
Lerma México Cp. 52004
R.F.C. AME640229-1W3

ACCO Brands Asia Pte Ltd
5A Toh Guan Road East #06-03,
Singapore 608830

Designed in California, U.S.A.
by Kensington
Made in Taiwan
Patents Pending
www.kensington.com

ACCO Brands Canada Inc
7381 Bramalea Rd
Mississauga,
ON L5S 1C4
Canada

Acco Brands Chile S.A.,
Avda. Presidente Riesco # 5711,
oficina 201
Las Condes, Santiago,
Chile C.P. 7561114

广州市爱珂贸易有限公司
上海分公司
中国上海市长宁区
延安西路2299号1509室
电话: 021-61368966
传真: 021-61710161
www.accobrands.cn

ACCO Brands Australia - Kensington
2 Coronation Avenue
Kings Park NSW 2148
Australia

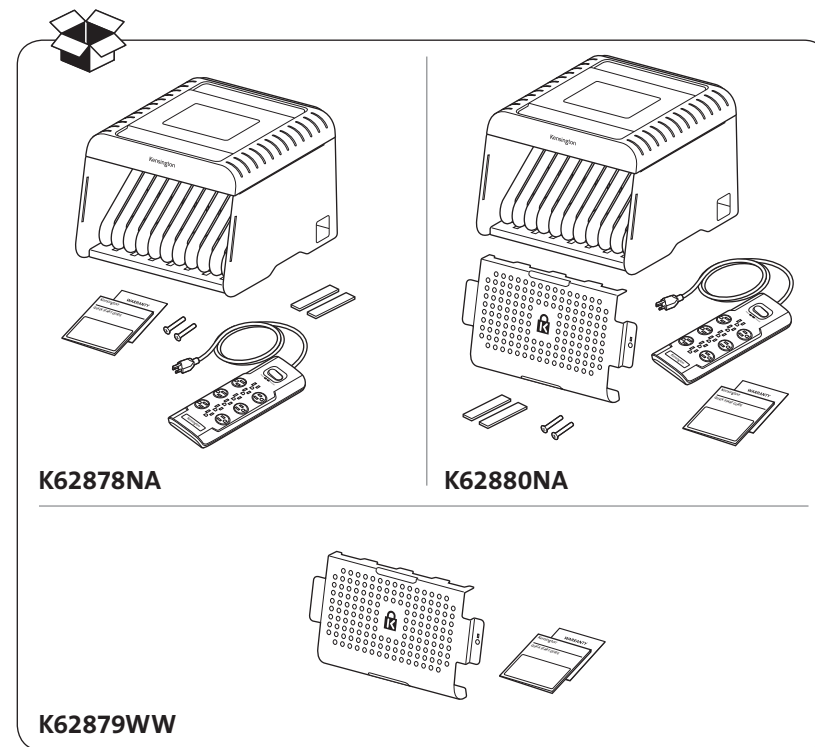
Importado e Distribuído por:
TILIBRA PRODUTOS DE PAPELARIA LTDA.
CNPJ: 44.990.901/0001-43
Rua Aymorés, 6-9 - Bauru/SP - Brasil
CEP 17013-900

アコブランドジャパン株式会社
〒164-8721
東京都中野区本町1-32-2
ハーモニータワー14F
www.kensington.com/jp
E-MAIL: JPKensington@acco.com

Kensington®

Universal AC Charge Station Station de recharge en CA universelle

INSTRUCTION GUIDE GUIDE D'INSTRUCTIONS



K62878NA

K62880NA

K62879WW

Register Now!
Enregistrer maintenant !

www.kensington.com/register

K62878 / K62879 / K62880

901-9545-02



EN Caution! Read All Instructions and Warnings Before Installation!

FR Attention : vous devez lire l'ensemble des instructions et des avertissements avant de procéder à l'installation.



EN WARNING – Two person lift required.

FR AVERTISSEMENT – Le levage requiert deux personnes.

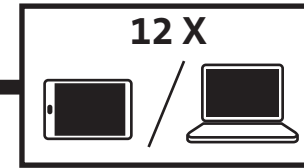
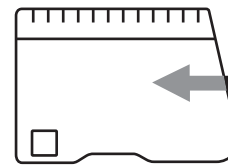
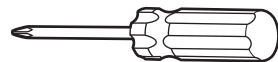


EN Warning! Do not stack or place items on top of the cabinet.

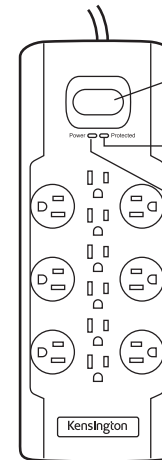
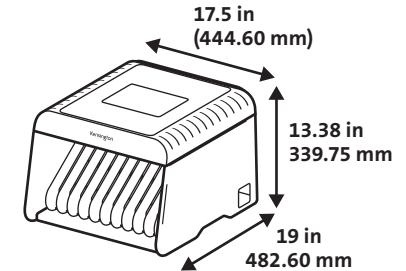
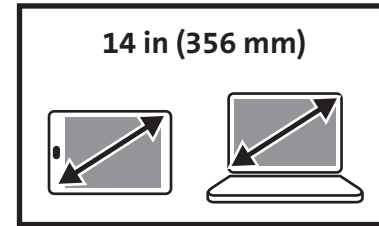
FR Avertissement : Ne placez pas d'objets sur le coffre.

EN Not Included.

FR Non fourni.



MAX
80 lb
(36.3 kg)



Overloading Switch
Interrupteur de surcharge

Surge Protector Light
Témoin de protection contre les surtensions

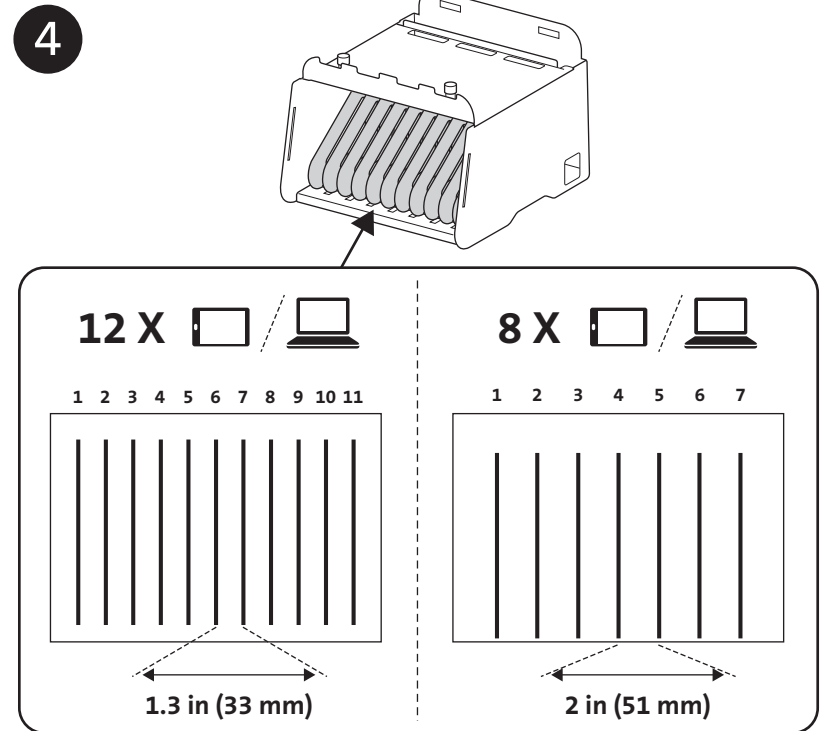
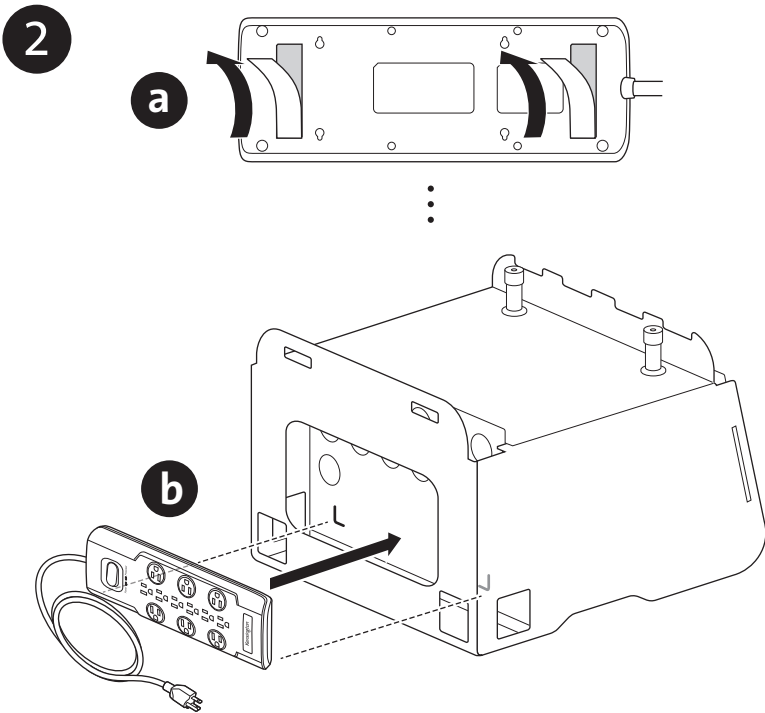
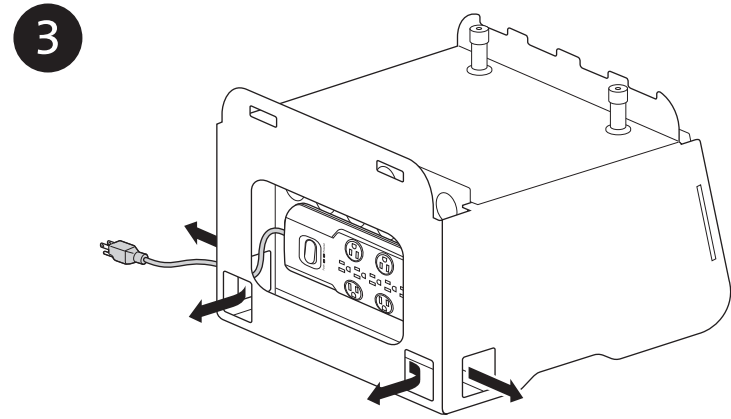
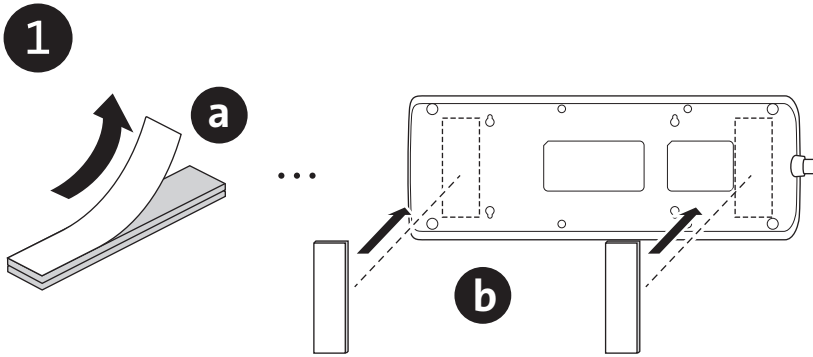
Power LED Light
Témoin d'alimentation à DEL

Specifications

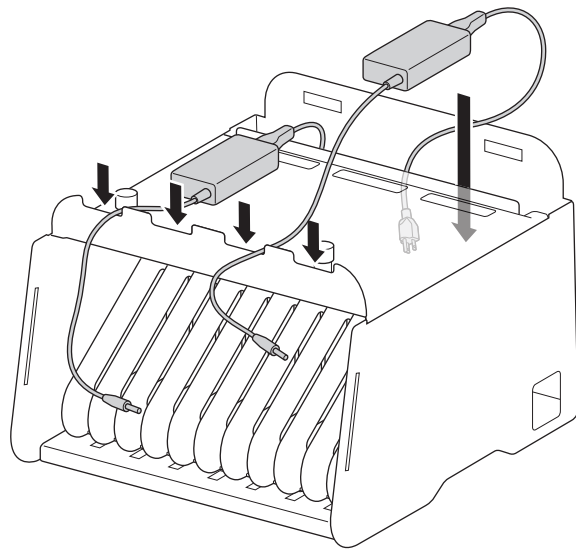
Technical Parameters	125V 15A 60Hz
Rated Power	1875W
Surge Energy	4000J
Peak Current	96000A
Dimensions	12.9 X 4.7 X1.4 in

Caractéristiques techniques

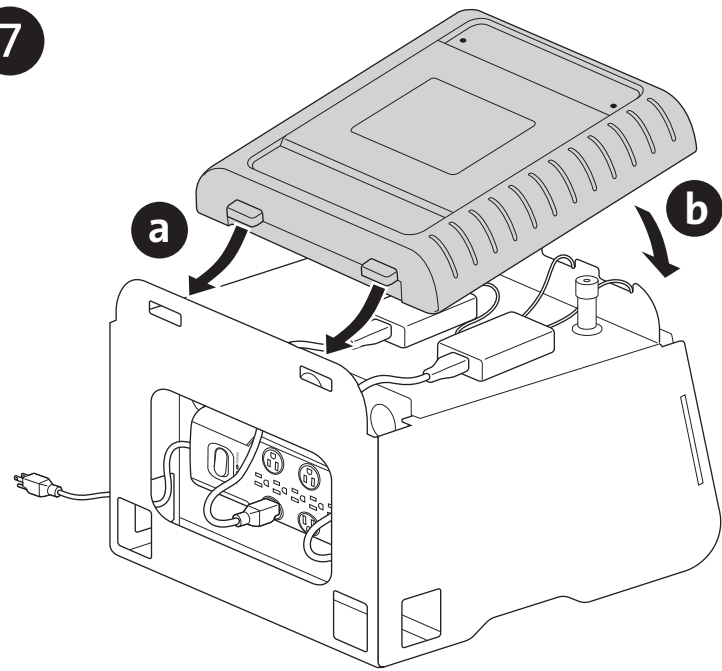
Paramètres techniques	125V 15A 60Hz
Puissance nominale	1875W
Surtension	4000J
Courant de pointe	96000A
Dimensions	12.9 X 4.7 X1.4 in



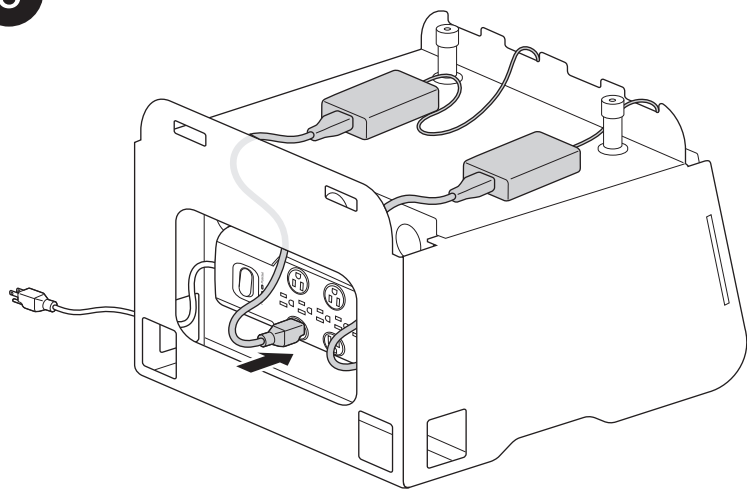
5



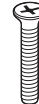
7

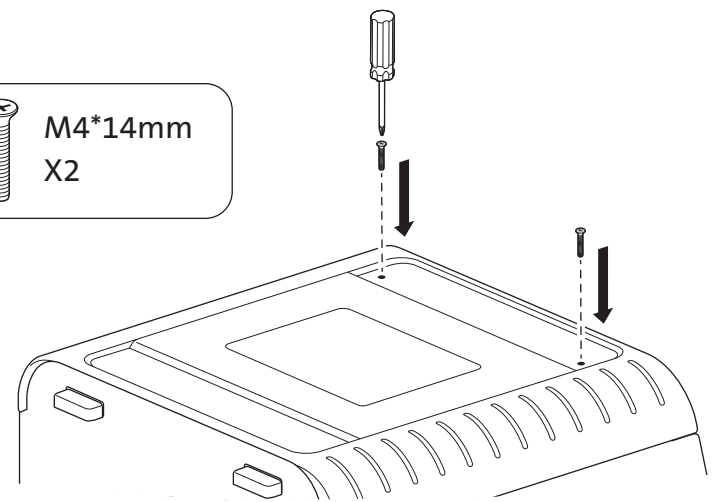


6

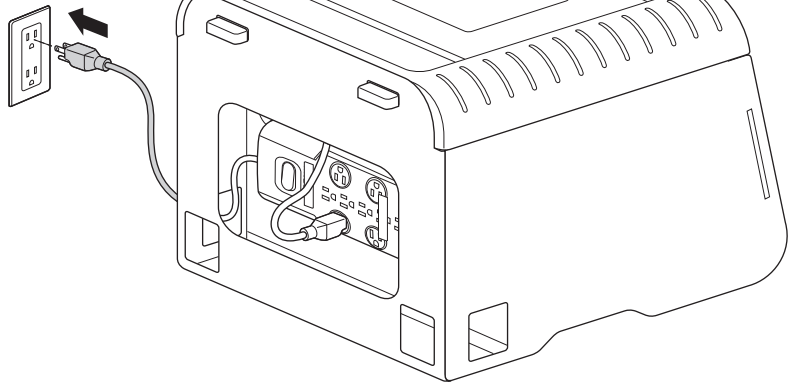


8

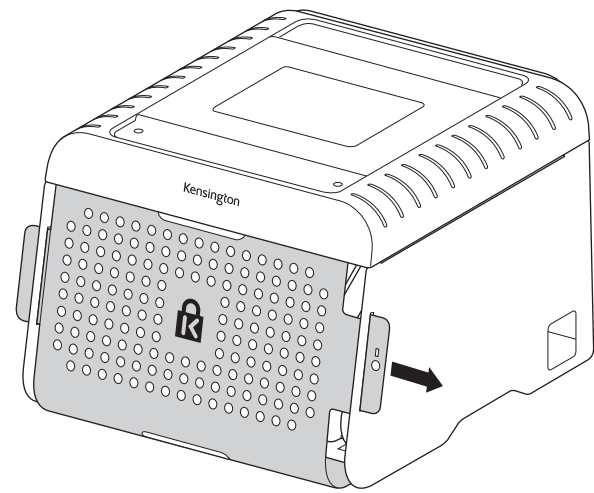
 M4*14mm
X2



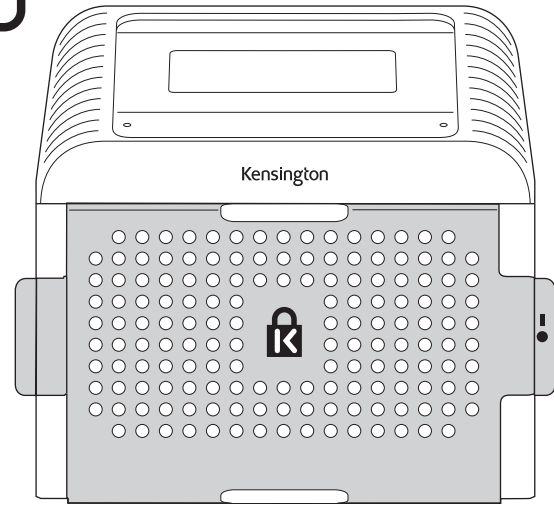
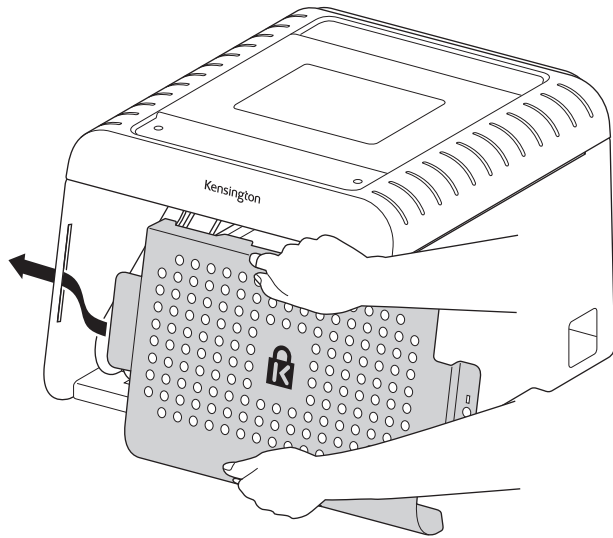
9

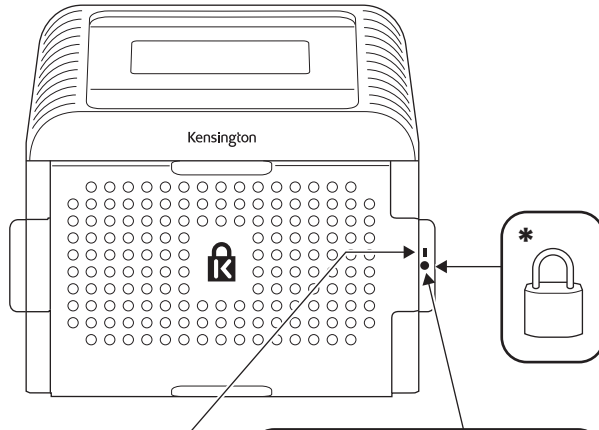


11



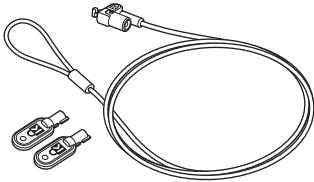
10





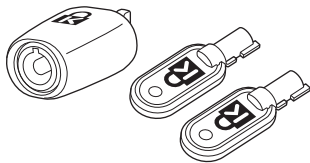
*** MicroSaver® 2.0 Keyed Lock**

K65020WW, K65042L,
K65042M, K65042S



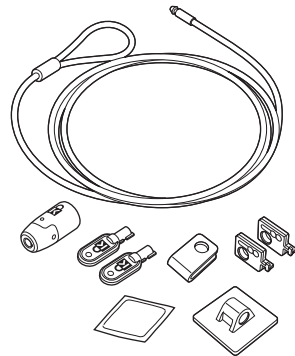
*** MicroSaver® 2.0
Keyed Chassis Lock**

K64430S



*** Desktop & Peripherals
Locking Kit 2.0**

K64425M, K64425S,
K64424WW, K67990US



*** EN** Sold separately. Only one locking method is needed.

FR Vendu séparément. Une seule méthode de verrouillage requise.