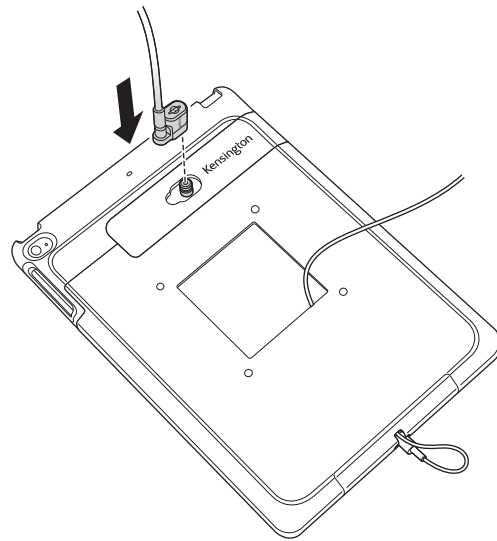


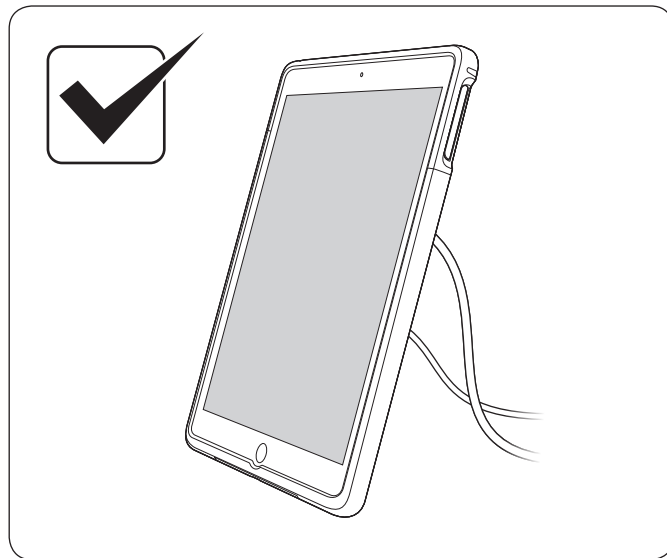
# SecureBack Enclosure for iPad Air®/iPad Air 2 K67772

6



Technical Support / Assistance technique / Technischer Support /  
Technische ondersteuning / Supporto tecnico / Asistencia técnica /  
Műszaki támogatás / Technická podpora / Pomoc techniczna /  
Техническая поддержка / Assistência técnica / Soutien technique /  
Asistencia técnica / Suporte Técnico

Australia	1300 881 931	Nederland	010 713 1882
België / Belgique	02 401 2395	New Zealand	0800 539 26273
Brasil	14 3235-4003	Norway	80017520
Canada	1 800 268 3447	Österreich	0800 677 873
Denmark	80 250966	Polska	22 570 18 00
Deutschland	0692 222 3654	Portugal	800855802
España	911 146 735	Russia	007 495 933 5163
Finland	0800 9 15697	Schweiz / Suisse	044 580 6667
France	01 7671 0404	Sweden	08 5033 6577
Hungary	06 20 9430 612	United Kingdom	0203 364 5390
Ireland	01 431 1395	United States	1 800 535 4242
Italia	02 3604 7030	International Toll	+31 53 484 9135
México	55 15 00 57 00		



6

7

Kensington and the ACCO name and design are registered trademarks of ACCO Brands. The Kensington Promise is a service mark of ACCO Brands. SecureBack M Series is a trade mark of ACCO Brands. iPad is a registered trademark of Apple Inc., registered in the U.S. and other countries. All other registered and unregistered trademarks are the property of their respective owners.

© 2015 Kensington Computer Products Group, a division of ACCO Brands USA LLC. Any unauthorized copying, duplicating, or other reproduction of the contents hereof is prohibited without written consent from Kensington Computer Products Group. All rights reserved. 06/15

**Kensington Computer Products Group**  
A Division of **ACCO Brands**  
1500 Fashion Island Blvd, 3rd Floor  
San Mateo, CA 94404

<p><b>ACCO Brands Europe</b> A Division of ACCO Brands Europe Oxford House, Oxford Road Aylesbury, Buckinghamshire, HP21 8SZ United Kingdom</p>	<p><b>ACCO Brands Canada Inc</b> 7381 Bramalea Rd Mississauga, ON L5S 1C4</p>	<p><b>ACCO Australia</b> Level 2, 8 Lord St Botany NSW 2019 Australia</p>
<p><b>Importado por ACCO Mexicana S.A. de C.V.</b> Circuito de la Industria Norte # 6, Corredor Industrial Toluca Lerma, Lerma México Cp. 52004 R.F.C. AME640229-1W3</p>	<p><b>Acco Brands Chile S.A.,</b> Avda. San Josemaría Escrivá de Balaguer Nº5773 Vitacura, C.P. 7640870 Santiago, Chile</p>	<p><b>Importado e Distribuído por:</b> TILIBRA PRODUTOS DE PAPELARIA LTDA. CNPJ: 44.990.901/0001-43 Rua Aymorés, 6-9 – Bauru/SP – Brasil CEP 17013-900 www.kensington.com.br</p>

Designed in California, U.S.A. by Kensington  
Made in China Patents Pending [www.kensington.com](http://www.kensington.com)

K67772

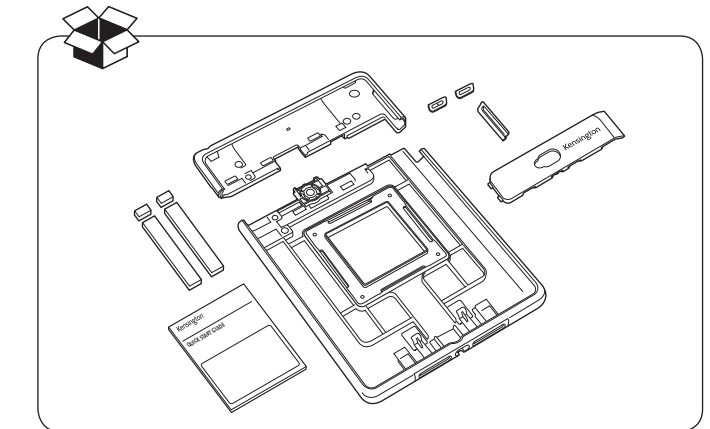
901-4162-01

## Kensington®

### SecureBack™ Enclosure for iPad Air®/iPad Air 2

QUICK START GUIDE  
GUIDE DE DEMARRAGE RAPIDE  
KURZANLEITUNG  
SNELSTARTGIDS  
GUIDA RAPIDA  
GUÍA RÁPIDA  
GYORSKALAUZ  
PŘÍRUČKA ZAČÍNÁME

SZYBKI START  
КРАТКОЕ РУКОВОДСТВО  
ПОЛЬЗОВАТЕЛЯ  
MANUAL DE INÍCIO RÁPIDO  
GUIDE DE DÉMARRAGE RAPIDE  
GUÍA DE INICIO RÁPIDO  
GUIA DE INÍCIO RÁPIDO



**Register Now!**  
Enregistrer maintenant !  
Jetzt registrieren!  
Nu registreren  
Registrar ahora  
Registra adesso  
Regisztráljon most!  
Zaregistrujte se nyní!

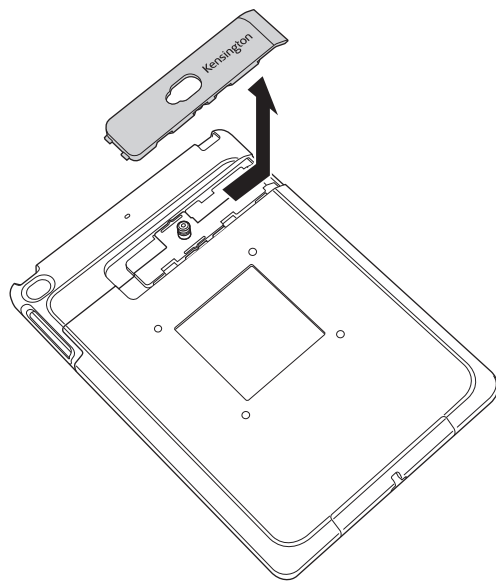
**Zarejestruj się!**  
Зарегистрироваться!  
Registe-se agora!  
Enregistrez votre produit dès  
maintenant!  
¡Regístrese ahora!  
Registre agora!

[register.kensington.com](http://register.kensington.com)

SecureBack Enclosure for iPad Air®/iPad Air 2  
K67772

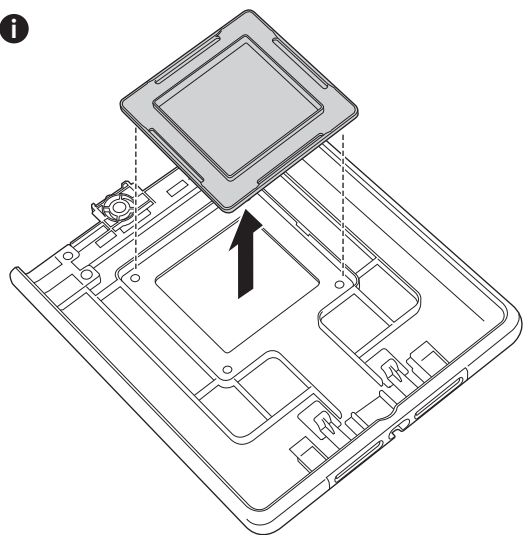
1

a



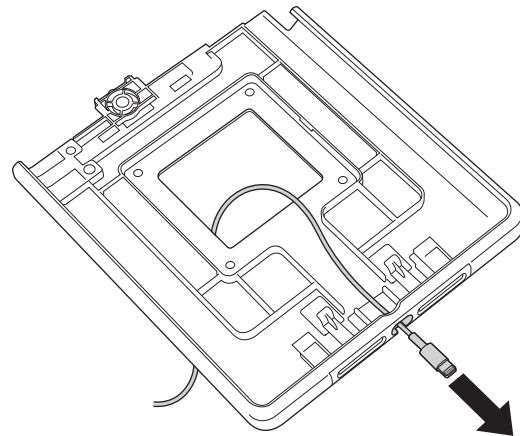
2

i



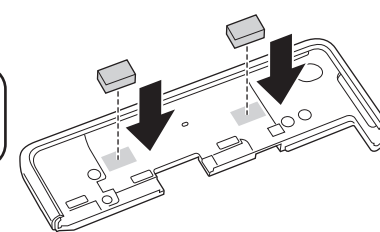
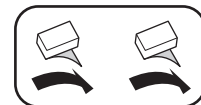
2

iii

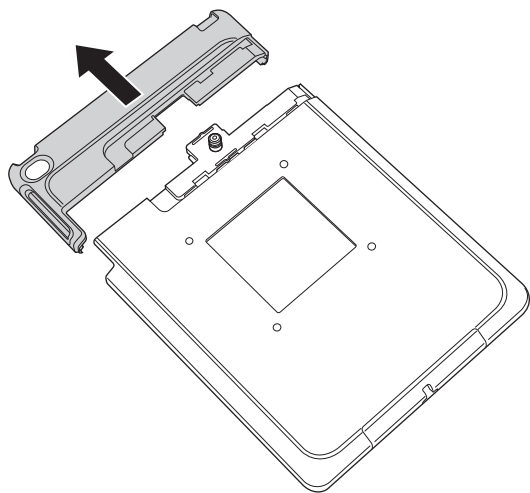


4

iPad Air 2



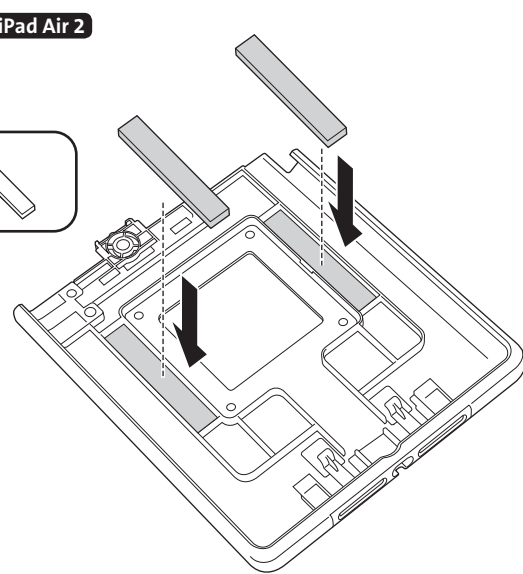
b



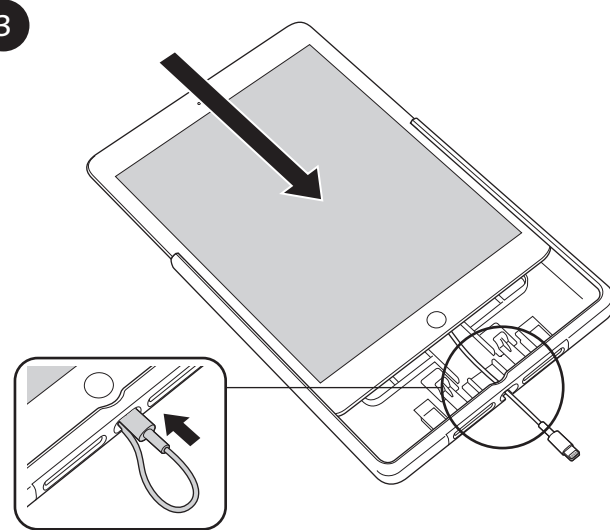
2

ii

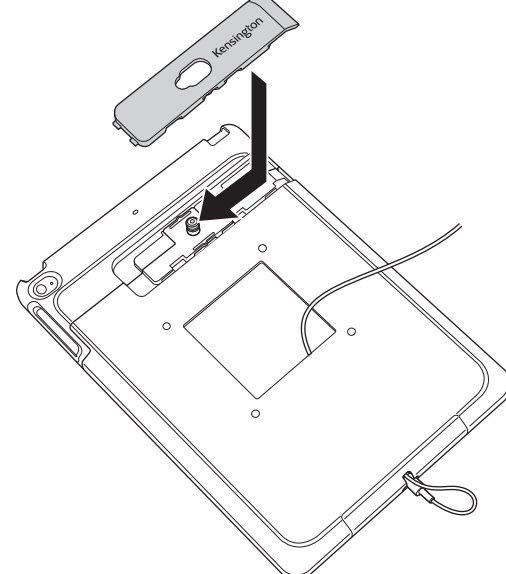
iPad Air 2



3



5



2

3

4

5