



54/65 EL

Laminator



English

Français

Deutsch

Español

Italiano

User manual

“A” Version

OM54-65EL-A, Rev. A

June, 2015

Introduction

We would like to thank you for purchasing a SEAL® 54/65 EL, designed to give you many years of reliable service. By following the guidelines outlined in this manual for proper care and use, you can depend on many years of trouble-free profitability from your investment.

Your 54/65 EL laminator meets the CE Directives (2004/108/EC, and 2006/95/EEC) and is RoHS compliant. The laminator is also ETL listed for USA (UL 60950-1) and Canada (CSA C22.2 60950-1).

Statement of intended use.

The 54/65 EL laminator has been designed to be used with Seal® materials. When used with these products, you are able to mount and laminate. Your machine has not been tested with any other materials and is not recommend for use with products other than SEAL® supplies.



WARNING:

THIS MACHINE IS DESIGNED FOR MOUNTING AND LAMINATING. ANY USE OTHER THAN THE INTENDED MAY CAUSE DAMAGE TO THE MACHINE OR PHYSICAL HARM TO THE USER.

Liability Statement

The details given in this manual are based on the most recent information available to us. They may be subject to change in the future. We retain the right to make changes to the construction or the design of our products without accepting any responsibility for modifying earlier versions previously delivered.

Standardized Symbols



Passages marked this way offer an idea / tip or other information on the efficient use of this unit.



WARNING:

PLEASE PAY ATTENTION TO ALL PASSAGES MARKED THIS WAY. THIS INFORMATION IS VITAL TO PREVENTING USER INJURY AND / OR DAMAGE TO THE UNIT. FAILURE TO FOLLOW THIS INFORMATION COULD VOID THE USER'S WARRANTIES AND TRANSFER ALL SAFETY OBLIGATIONS TO THE USER.

Table of Contents

Introduction	1
1 Specifications	4
1.1 Technical Specifications	4
1.2 Options	5
2 Safety / Important Safeguards	5
2.1 Safety symbols used on the equipment	5
2.2 Emergency Stop Buttons	5
3 Unpacking and Installation	6
3.1 Ambient Conditions	6
3.2 Surroundings	6
3.3 Power supply	6
3.4 Workspace Requirements	6
3.5 Unpacking the laminator	7
3.6 Setting up the laminator	8
3.7 Transport	9
4 Unit description	10
4.1 Control panel	11
4.2 Motor control	11
4.2.1 Slow-mode	12
4.2.2 Reversing the machine	12
4.2.3 Unwind brakes	13
4.2.4 Roller nip settings	13
4.2.5 Image guide storage place	13
5 Application Processes	14
5.1 Principle of a Process	14
5.2 Loading the machine	15
5.2.1 Removing an unwind shaft	15
5.2.2 Loading shaft with film rolls	15
5.2.3 Loading the unwind shaft into a machine	16
5.3 Webbing the films	16
5.3.1 Preset the tension	16
5.3.2 Single Sided Process Webbing	17

5.3.3	Double Sided Process Webbing	18
5.4	Processes and settings	19
5.4.1	General	19
5.4.2	Pre-coating panels	19
5.4.3	Mounting images or decals	20
5.4.4	Over-lamination	21
5.4.5	Single-sided lamination	21
5.4.6	Decaling	22
5.5	Unloading	22
6	Cleaning/maintenance	22
6.1	Cleaning the silicone covered rollers	23
6.2	Preventive maintenance	23
6.2.1	Auto-grip shafts	23
7	Troubleshooting	24
7.1	Troubleshooting Processes	24
7.2	Technical assistance	25
8	Process Control Sheet	26
9	Glossary of Terms	27
10	Limited Warranty	28
11	Index	29

1 SPECIFICATIONS

1.1 Technical Specifications

	Imperial	Metric
Max. Working Width		
54 EL	54" maximum	1400 mm max
65 EL	65" maximum	1651 mm max
Max. Speed	13.1 ft/min	4.0 m/min
Dimensions (HxWxD)		
54 EL	48" x 71.3" x 24"	1220 x 1811 x 610 mm
65 EL	48" x 82.3" x 24"	1220 x 2090 x 610 mm
Shipping dimensions (HxWxD)		
54 EL	58" x 74" x 29"	1473 x 1880 x 737 mm
65 EL	61" x 88" x 30"	1549 x 2235 x 762 mm
Weight		
Net Weight		
54 EL	325 lbs	147 kg
65 EL	430 lbs	195 kg
Shipping Weight		
54 EL	434 lbs	197 kg
65 EL	544 lbs	247 kg
Maximum roll diameter		
Unwind	8"	200 mm
Take-up	6"	150 mm
Maximum roll weight		
Unwind	85 lbs	38.5 kg
Take-up	35 lbs	15.9 kg
Roller Opening (Min. – Max.)	0 – 1"	0 – 25 mm
Roller Pressure	3 lb/in	0.53 N/mm.
Electrical Specifications		
US/Canada	115 VAC, 50/60Hz, 4A, 460W - NEMA 5-15 Plug	
Europe	230 VAC, 50/60Hz, 2A, 460W - BS1363 Plug or Continental Europe Plug (Schuko style)	
Roller Construction	Two silicone covered, steel rollers.	

* Specifications may change without notice.

1.2 Options

The 54/65 EL "A" version has several options available. They are:

Item	Description	Part number
1	54 EL Infeed Trough Option	5402A
2	65 EL Infeed Trough Option	6502A
3	Leveling feet Option	5406A
4	54 EL-1 Image Guide	5411A
5	65 EL-1 Image Guide	6511A

Note: Some options may be included with your model.

2 SAFETY / IMPORTANT SAFEGUARDS

2.1 Safety symbols used on the equipment



ROTATING PARTS

MECHANICAL HAZARD. FAILURE TO USE CAUTION NEAR EXPOSED ROLLERS COULD RESULT IN PHYSICAL INJURY. BE CAREFUL THAT ITEMS SUCH AS LOOSE CLOTHING, LONG HAIR AND JEWELRY DO NOT BECOME ENTANGLED IN ROTATING PARTS.



ESD WARNING

USE CAUTION NEAR ROLLERS. POSSIBILITY OF SHOCK BY ESD WITH SOME MATERIALS. PLEASE USE PRECAUTIONS TO PREVENT ESD BUILD UP BY PROPER MACHINE GROUNDING, MAINTAINING PROPER ROOM HUMIDITY AND USING OTHER ANTI-STATIC MEASURES.

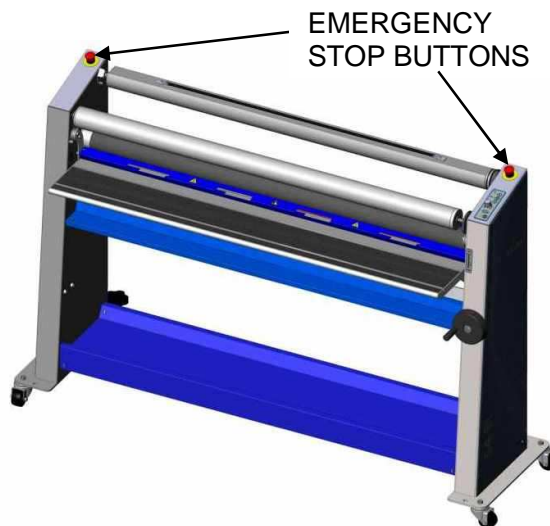


Figure 1

2.2 Emergency Stop Buttons

There are two buttons. They are located on the top of the left and right hand cabinets. The buttons are red with a yellow, circular background. The Emergency stop buttons shut down the rotation of the rollers and should only be used in case of an emergency. Once pressed, these buttons lock, and they must be rotated to be reset before the machine can be used again.

3 UNPACKING AND INSTALLATION

Please read and fully understand the entire manual before proceeding to use your laminator.

3.1 Ambient Conditions

The following environmental conditions are ideal for the best operation of the laminator.

Ambient Temperature

The best temperature for the 54/65 EL is between 16°C and 35°C (50°F and 95°F).

Do not expose the laminator to direct sunlight as output quality may be affected.

Relative humidity

For best results, the ambient relative humidity for the 54/65 EL should lie between 50% and 70%.

Water and moisture

If the laminator is installed in a damp room or near water, the electrical power supply must be in accordance with the standards of the area.

3.2 Surroundings

Install the laminator in surroundings that are as clean and dust free as possible in order to obtain the highest quality end product. The materials that are used on this laminator can have an electrostatic charge and will attract dust, adversely affecting the output.

3.3 Power supply

Connect the machine in accordance with the details given on the identification plate attached to the rear of the machine. Refer also to the technical specifications in this section for more information.

3.4 Workspace Requirements

- This unit should be situated away from heat sources such as heat registers or stoves.
- The laminator's location or position should not interfere with its proper ventilation.
- There should be enough space around the laminator to feed-in, exit, and trim mounted and/or laminated images.
- The background dust level must not exceed that found in a typical office/computer room environment.
- The work area should be level, flat, and well lit.

3.5 Unpacking the laminator

1. Cut the bands holding the box to the pallet.
2. With two people, carefully lift the box straight up over the machine (See figure 2).
3. Remove any loose packing material.
4. Remove two wood screws holding ramp in place.
5. Remove the ramp and packing around ramp.
6. Position ramp as shown in figure 3.
7. Remove 4 hold down bolts.
8. Remove 2 stabilizing blocks.
9. With 2 people, carefully push machine down ramp.
10. Remove remaining packing material and unpack the Take-up Tube.
11. Inspect the machine for any physical damage.

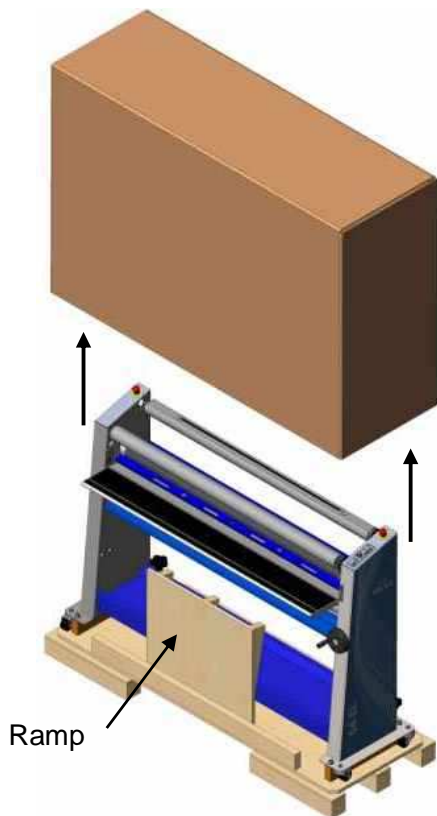


Figure 2

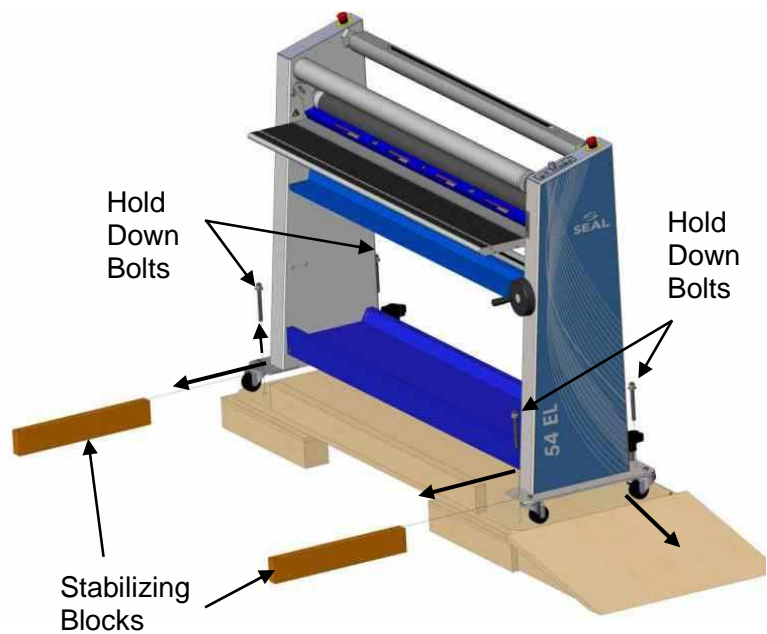
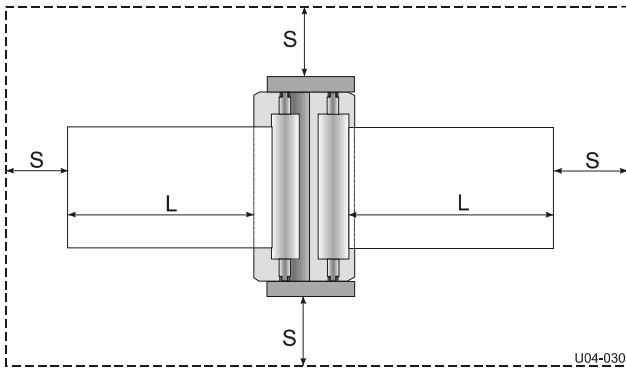


Figure 3

3.6 Setting up the laminator

Your 54/65 EL should be setup at the place where it will be used. The area must be a flat level surface.

The machine must be installed next to a power outlet. The plug and the outlet must be easily accessible. Please ensure that you plug your laminator into a grounded outlet. The laminator should only be connected to a power supply outlet able to safely supply the voltage and amperage marked on the ratings label.



Note:

Make sure that the machine, in its final location, has adequate space. You will need room to feed, receive and trim images. See Figure 4.

L = Maximum board length,
S = Minimum space 60 cm.(24").

Figure 4: Working Space

1. Move the machine to the designated working space.
2. Install Image Guide on table as shown in figure 5.
Note: Image Guide is optional on some models.
3. Install Take-up Tube onto right side first compressing spring on the right side then inserting left side onto drive (figure 5).
4. Plug the power cable into the grounded outlet with appropriate service.

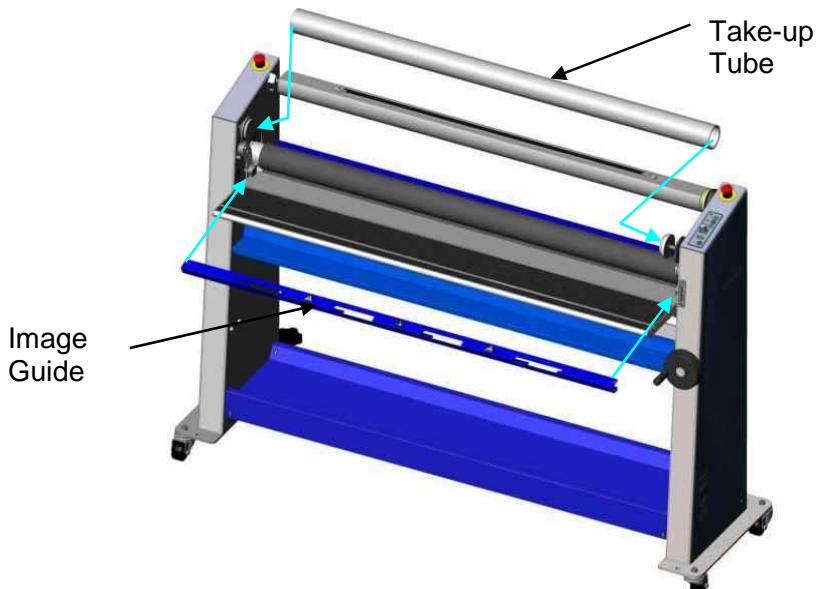


Figure 5

5. Lock machine in place with foot by stepping on the front caster's locking mechanisms. (See figure 6.)

Note: An uneven floor may affect lamination quality. In the case of an uneven floor, please contact technical service for the machine leveling option.



WARNING:
MACHINE MUST BE SECURED IN PLACE BEFORE USING.

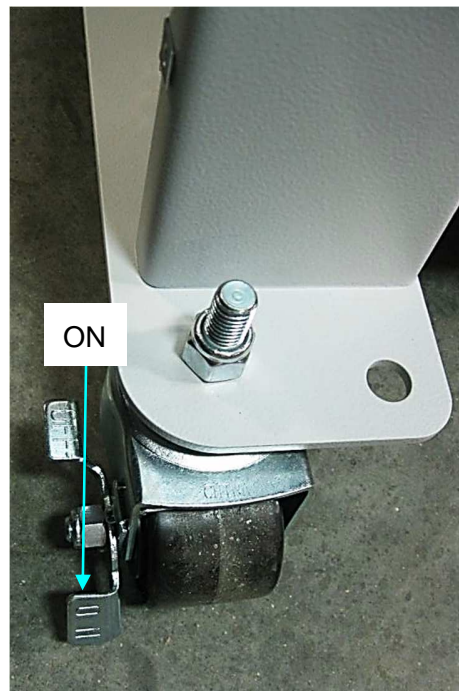
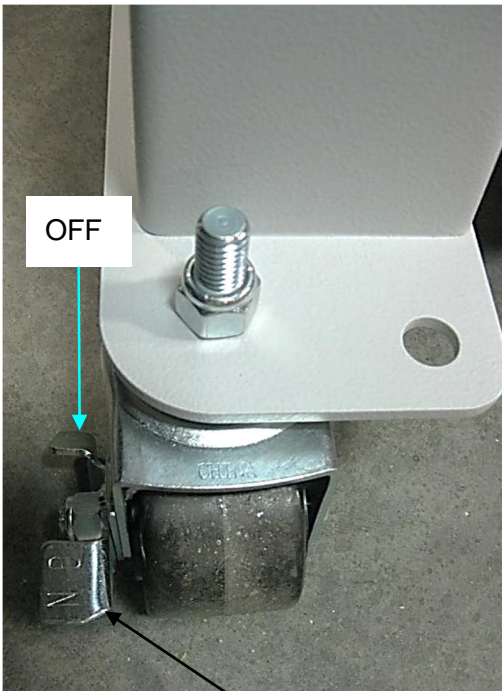


Figure 6 Locking Lever



WARNING:
MAKE SURE THE POWER SUPPLY CABLE AND/OR THE EXTENSION CABLE IS NOT BLOCKING YOUR WAY AROUND THE MACHINE.

3.7 Transport

The machine can be transported on a smooth surface on its casters.



CAUTION:
Unlock the wheels before moving the machine.

When moving the machine on rough surfaces or over long distances, use the original pallet and packing material and move it with a pallet truck or forklift.

4 UNIT DESCRIPTION

Features and benefits of the 54/65 EL:

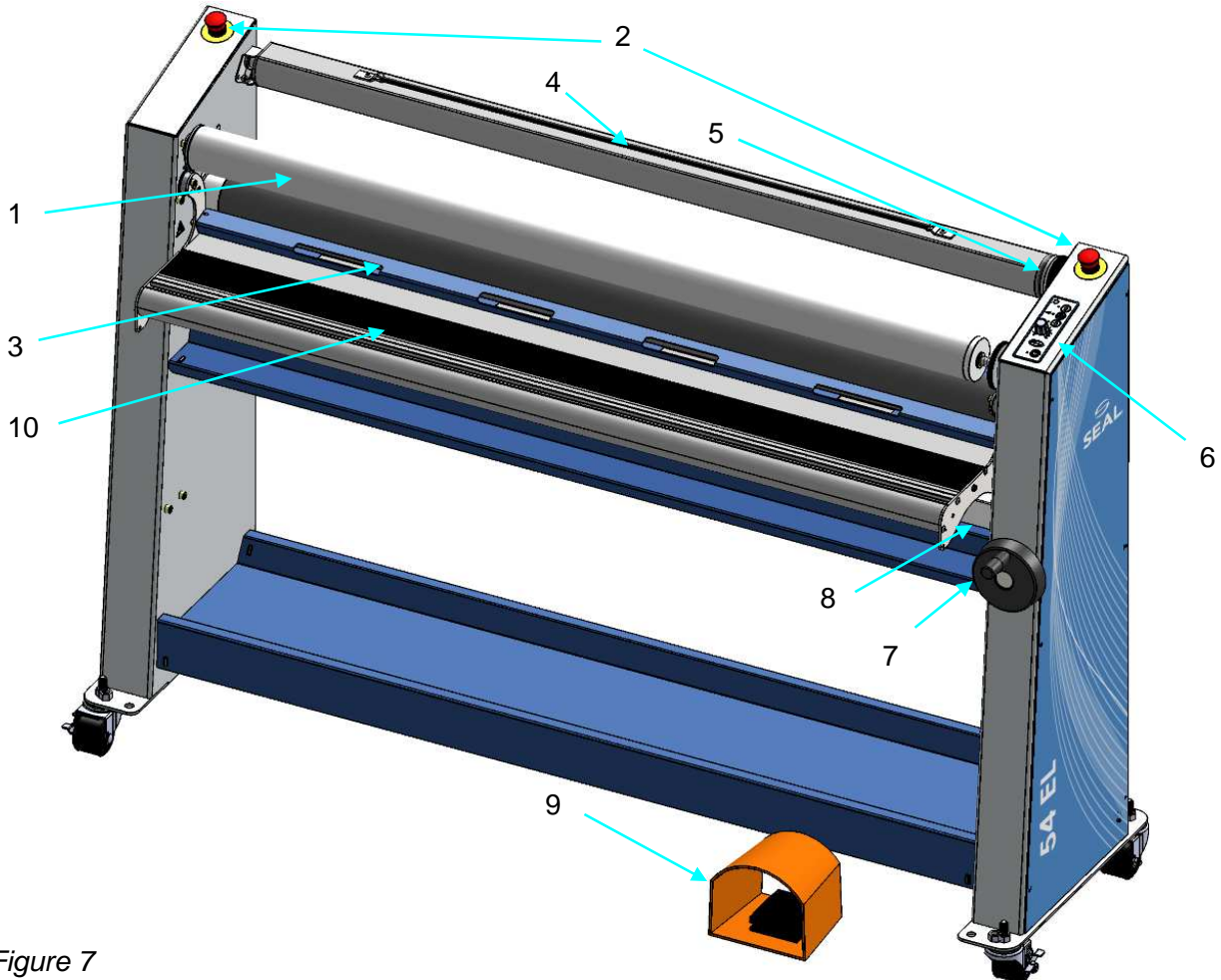
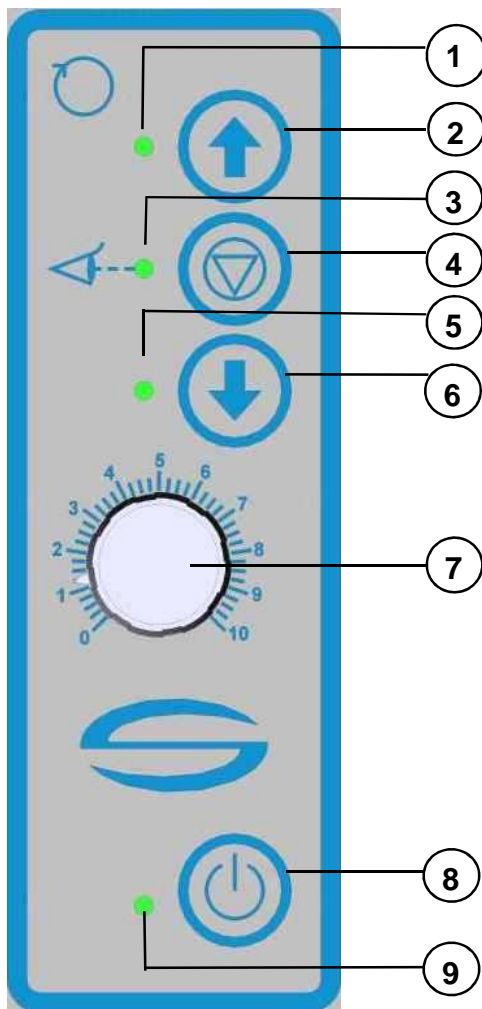


Figure 7

Identification of parts		
1	Wind-up tube	Wind-up for the release-liner
2	Emergency stop buttons	To stop machine in case of emergency
3	Image guide	To help start images (Optional on some models.)
4	Upper unwind shaft	The shaft is suitable for material with a 3-inch core
5	Unwind brake	A simple means of setting the unwind tension
6	Control panel	Controls rotation of the rolls and standby
7	Nip Hand Wheel	To adjust the gap between the rollers
8	Lower unwind shaft	The shaft is suitable for material with a 3-inch core
9	Foot switch	Used to engage slow mode
10	In-feed Table	Flat surface to rest material to be worked on

The Ratings/Serial label is located on the rear side of the machine by the power inlet.

4.1 Control panel



1	Forward LED	Lit when drive runs forward
2	Forward Button	Push button for forward
3	LED optical safety system	Lit when light beam is clear. Flashing when emergency stop button depressed.
4	Stop Button	Push button to stop drive
5	Reverse LED	Lit when drive runs reverse
6	Reverse Button	Push button and hold for reverse
7	Speed adjustment knob	Adjust roller speed
8	Standby Button	Toggle on/off (press 2 seconds)
9	Power LED	Lit when machine is on

Figure 8

4.2 Motor control

The speed of the rollers is continuously adjustable between 0 and 4 m/min (0 and 13 ft/min). Pressing the $\hat{\uparrow}$ button runs the rollers in forward direction, pressing and holding the $\hat{\downarrow}$ button reverses the direction of the rollers. The stop key halts the roller movement.



WARNING:

CARE MUST BE TAKEN NOT TO HAVE LOOSE CLOTHING, LONG HAIR, JEWELRY AND FINGERS PINCHED BETWEEN THE ROLLERS.

4.2.1 Slow-mode

The machine has a slow-mode, which can be activated by pressing the foot switch. To maintain slow-mode, keep the foot switch pressed. Slow-mode must be used when the In-feed Table is in the upper position. Slow mode is recommended whenever running material with the Image Guide removed.

The speed can be adjusted when running in slow mode. The speed can be adjusted down to zero, but cannot be adjusted any higher than maximum allow in slow mode (1 mpm or 3 fpm). The position of the speed pot will be about the same as in normal mode to produce the same speed. Another benefit to this feature is the speed will not increase if going slower the preset maximum speed when entering slow mode.



WARNING:

IF RUNNING IN SLOW-MODE, INTERRUPTING THE PHOTO ELECTRIC EYES DOES NOT STOP THE MACHINE. IN SLOW-MODE, AN AUDIBLE BEEP WILL BE HEARD, AND THE ROLLER SPEED WILL BE DECREASED. RELEASING THE FOOT SWITCH STOPS THE MACHINE.

To Change from slow-mode to normal run mode without stopping (to prevent a stop mark):

- During slow mode (keep the foot switch pressed), press and hold the $\hat{\uparrow}$ (forward) button on the control panel.
- Next, release the foot switch. The machine will run at the pre-set speed.
- Finally, release the $\hat{\uparrow}$ (forward) button.

To Change from normal run mode to slow-mode without stopping:

- Press the foot switch
Note: Releasing the foot switch will stop the machine.

4.2.2 Reversing the machine



WARNING:

KEEP CLEAR OF THE REAR SIDE NIP WHEN RUNNING IN REVERSE MODE.

To reverse the rotation of the rollers, press the \Downarrow (reverse) button. As long as the button is pressed, the machine will run in reverse direction, at a speed of about 1 m/min. Releasing the button will stop the machine.

The rotation of the rollers will stop when:

- The photoelectric eyes in front of the main rollers are interrupted.
Note: This does NOT happen when the foot switch is used (slow-mode).
- An emergency stop button is pressed.
- The foot switch is pressed for a short moment.
- Excessive unwind tensions are set (the motor will be shut off electronically and the forward LED will blink, press the stop button on the control panel to reset).
- The stop button on the control panel is pressed.

4.2.3 Unwind brakes

Tighten the unwind brake so that it applies sufficient tension to laminate. Turning the knurled brake collar in a counter-clockwise direction increases the breaking tension applied on the laminate. Turning the collar clockwise decreases the tension. The best setting for the brake tension is determined by the materials you are using and is learned through experience.

4.2.4 Roller nip settings

Whenever you mount onto a board, etc., it is important to adjust the rollers to create a gap nearly equal to the thickness of the substrate being used. This is done so that anything passing between the rollers will receive the right amount of pressure to prevent damage to the substrate being mounted (and possibly the rollers).

Turning the Nip Hand Wheel counterclockwise (CCW) lowers the top roller, and clockwise (CW) raises the top roller.

How to set the nip:

Determine the thickness of the substrate that you will use for mounting. Pre-set the nip height by turning Nip Hand Wheel CW until the nip height indicator is above the board thickness.

Insert the front edge of the substrate into the nip by hand. Lower the top roller by turning the Nip Hand Wheel CCW until top roller contacts the substrate with enough pressure that the substrate cannot be moved side to side. Use reverse button to remove substrate from nip if needed.

To run films, rotate the nip hand wheel CCW until the nip is fully closed then continue until the Nip Hand Wheel turns freely.

4.2.5 Image guide storage place

When not in use, the Image Guide can be stored on the upper cross brace or alternately on the lower cross brace (figure 9). Note: Image Guide is optional on some models.

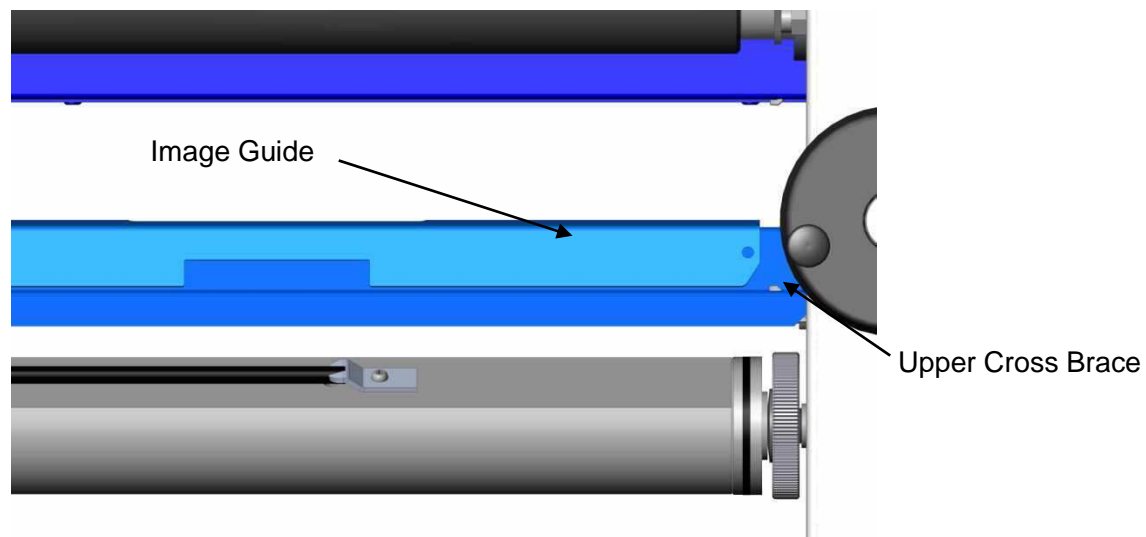


Figure 9

5 APPLICATION PROCESSES

5.1 Principle of a Process

In all processes the materials are fed through the nip from the front side to be joined together by pressure.

A process that makes maximum use of the machine is shown in Figure 10. Shown is a double sided laminating (decaling) process.

The top coating film is a pressure sensitive film with release liner (3) taken from a supply roll on the (rear) upper unwind shaft (5). The bottom coating film is a pressure sensitive (mounting) film taken from a supply roll on the lower unwind shaft (7). Some models have a splitter bar (8) to help in the removal of release liners.

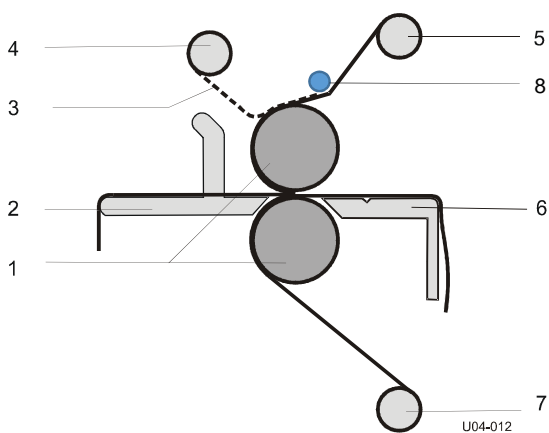


Figure 10: Creating a Decal.

The image that has to be laminated is fed between the main rollers (1) via the in-feed table (2).


When using a pressure sensitive laminate, it often has a release liner (3) that has to be removed. This release liner is rolled up onto the wind-up shaft (4) in the upper section.

A mounting film has adhesive on both sides and release liner on just one side. This release liner has to stay on until the image is mounted.

The following steps outline the basic procedure that has to be used for loading materials, webbing the laminator and setting the brake tension for the materials you will be using. To load and unload the material shafts, it is necessary to access the machine from the rear side.

5.2 Loading the machine

Select the film(s) that you will use on the top (and bottom) of the images. It is best practice to make sure that both laminate and media are matched in size to prevent problems when laminating. This way the media can be trimmed with a border, but waste is reduced.

 Always work in the center of the machine.

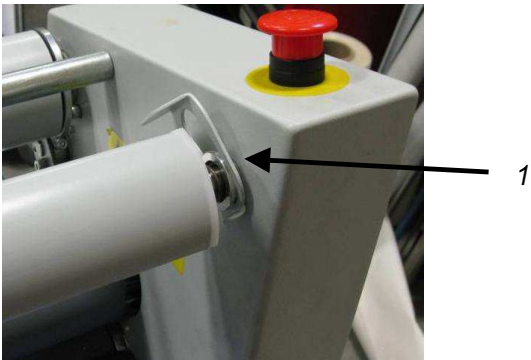


Figure 11: Interlock up



Figure 12: Interlock down

5.2.1 Removing an unwind shaft

- Remove the desired supply shaft (top or bottom) by pushing the interlock bracket (1) to the up position (Figure 11).
- Slide the autogrip shaft to the right against the spring pressure.
- Lift the leftside of the shaft away from the laminator first then the right.

5.2.2 Loading shaft with film rolls

The film roll is put on the shaft depending on the type of film and the use in the upper or lower section of the machine. In general, pressure sensitive film with release liner (A) is rolled up with the liner (3) and adhesive (2) to the outside of the film (1), whereas film without release liner (C) has its adhesive layer to the inside of the film. However, North American pressure sensitive films, in general, have the release liner on the inside of the film (B).

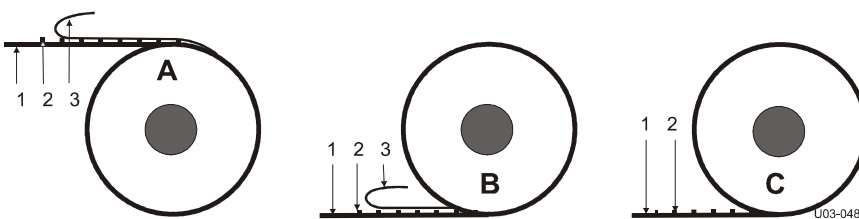


Figure 13: Film rolls.

- In the upper section, the adhesive (2) side in contact with the image and the release liner (3) must be on the top when unwinding the film to the front of the machine.
- In the lower section, the adhesive (2) side in contact with the image must be on the bottom when unwinding the film to the front of the machine.

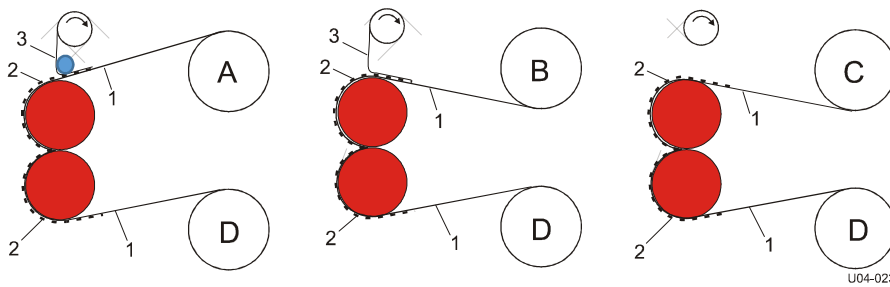


Figure 14: Film adhesives.

5.2.3 Loading the unwind shaft into a machine

- Set interlock bracket to up position and align right shaft holder as shown in figure 15.
- Firmly grasp unwind shaft placing hands up against the ends of film roll to keep the film from sliding on the shaft while loading.
- Place the shaft, including the material, into the laminator by inserting it onto the right unwind shaft holder.
- Press against the spring pressure, until you can place the other end of the shaft onto the left unwind shaft holder.
- Move the interlock bracket is to the down position (figure 12).
- Center the material roll in the laminator.



Figure 15: Unwind Load Position.

5.3 Webbing the films

The machine must be webbed before laminating images. The machine can be webbed for single sided or double sided processing. When mounting images, the machine is not webbed.

Note: In single sided processes adhesive residues will stay behind on the bottom roller when the film is wider than the images. To prevent this, a release liner of the same width as the top film can be used in the bottom section. The release liner can easily be removed later on. Or use a film of the same width as the image.

When processing panels, a leader panel (waste panel equal to the panel to be processed) is needed to feed in the film.

5.3.1 Preset the tension

To enable the film to unwind without wrinkles tension (brake) can be set.

On the right-hand (control panel) side of the machine you will find a tension control ring on each shaft. Turn the tension control ring counter-clockwise (top to rear) to set the tension or clockwise (top to front) to release the tension.

When the film is webbed, it is recommended to set a low tension to each shaft by turning the ring counter-clockwise until you feel some resistance. The film should be tight, but able to be pulled by hand without too much effort

Too much unwind tension can lead to stress in the material and even cause wrinkling of the laminate. A properly set up machine should run film wrinkle free with minimum brake tension.



CAUTION:

Never use an open blade near the rollers. Cutting or scoring the rollers will damage the rollers and cause reduced performance resulting in low quality finished product.

5.3.2 Single Sided Process Webbing

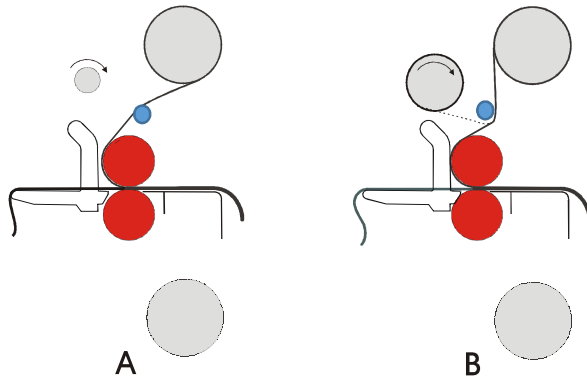



Figure 16: Webbing upper section.

1. Pull the film forward until approximately 10 cm (4 in.) is on the in-feed table.
2. If the film has a release liner (B):
 - Install the Wind-up Tube on the machine.
 - If your machine has a splitter tube, web the film under the tube.
 - Peel back corner of release liner.
 - Pull the release liner off laminate and stick it to the tube with tape.

 An empty card board tube from a used roll of film can be attached to the Wind-up tube to take up the release liner. This allows the release liner to be easily removed from the Wind-up tube and used for other processes if needed.


3. Raise table to full open position.
4. Raise top roll to full open position.
5. From the back of machine, pull film through nip and stick to out-feed table. Ensure film is flat against top roll. Add more unwind brake if necessary.
6. If using Lower Unwind Shaft to feed images or release liner:
 - Insert material into nip making sure it is laying flat on bottom roll.
 - Hold material in place with one hand.
 - Lower top roll to full close (zero) position.

Note: Use a release liner on bottom unwind or a carrier board when processing thin images.

7. Lower table to the full down position.

8. If feeding cut sheet images:

- Place a scrap piece of paper into the nip equal to width of the laminate and about 30 cm (12 in) long.
- Hold scrap piece in place with one hand.
- Lower top roll to full close (zero) position.
- Feed images over scrap piece or last image tail.

 When cutting sheet images, always leave enough scrap as to have some material in the nip while being able to cut off the laminated image from the back of the machine. The film should never come in contact with the bottom roll.

9. Pull off the film from the out-feed table (step 6) and fold down over bottom of lamination to prevent it from sticking to the table again.
10. Use foot switch to start the process then switch to normal run with the forward button when ready.

5.3.3 Double Sided Process Webbing

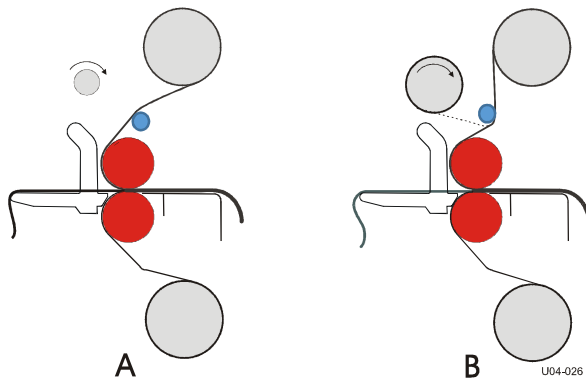



Figure 17: Upper and lower section webbed.

The film in the upper section is webbed first

1. Pull the film forward until it almost reaches the in-feed table and lay it flat on the upper roller.
2. If the film has a release liner (B):
 - Install Wind-up Tube on machine.
 - If your machine has a splitter tube, web the film under the tube.
 - Peel back corner of release liner.
 - Pull the release liner off laminate and stick it to the tube with tape.

 An empty card board tube from a used roll of film can be attached to the Wind-up tube to take up the release liner. This allows the release liner to be easily removed from the Wind-up tube and used for other processes if needed.

Now web the lower section

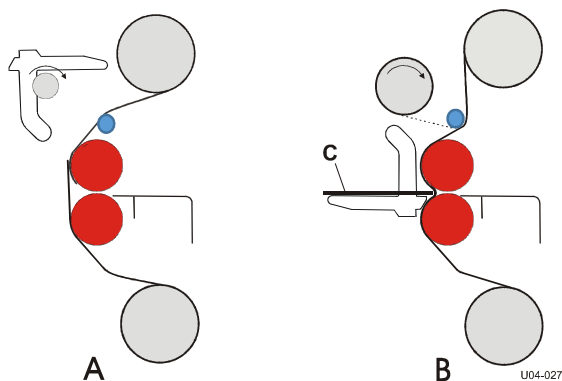


Figure 18: Webbing lower section.

3. Lift the in-feed table and put it in the upper position (A).
4. Unwind the film from the lower unwind roll.
5. Pull the film forward until the end reaches above the nip and stick it to the film from the upper section.
6. Lower the in-feed table.
7. Set nip height to about the thickness of the leader panel.
8. Push the films with a leader panel (C) into the nip using slow mode (B).
9. When the leader panel is completely out of the nip, lower the top roller to the full closed position (nip height = 0).
10. Use foot switch to start process then switch to normal run with the forward button when ready.

5.4 Processes and settings

5.4.1 General

For up to date process information with SEAL® materials go to www.sealgraphics.com.

5.4.2 Pre-coating panels

This process is used to coat boards (substrates) with a pressure sensitive mounting film onto which images can be mounted. This process can also be used to create a carrier board (Sled). In this case a film with adhesive on both sides with a release liner is used.

Note: The mounting film is usually provided with one release liner. Place the film in the upper section and web it as if it has no release liner (see 5.3.2 for reference).

1. Place the roll of mounting film on the shaft of the upper unwind position.
2. Remove Image Guide.
3. Raise top roll to full open position.
4. Pull film through nip and attach to out-feed table.
5. Insert a leader panel into nip of the same material, thickness and width of panels to be processed.

6. Lower top roll until contacts leader panel then continue until leader cannot move freely side to side by hand.
7. Butt the panel to be pre-coated up against the leader panel and use the foot switch to start the process. The drive can be put into forward run with the forward button when the process is running smoothly.

Note: When more panels have to be pre-coated feed them in continuously without gap.

8. Cut panels free using a blade cutter as they clear the nip on the back of the machine.
9. End with a leader panel, and feed this board until the previous panel is out of the nip.



CAUTION:

Do not cut film close to or on the rollers. This will damage the silicone coating of the rollers and will void the warranty.

10. When finished, back-up the leader panel using the reverse.
11. Cut the film using a safety blade cutter.

The board now has an adhesive coating ready to mount an image. See section 5.4.3 for mounting images.

5.4.3 Mounting images or decals

In this process the machine is not webbed with film.

- When mounting images onto a pre-coated board (B), the adhesive is on the mounting side of the board.
- When mounting decals (A), the adhesive is on the back of the image.

The mounting process is equal for both.

1. Remove the unwind shaft from the upper front position.
2. Remove the Image Guide.
3. Set the nip (see section 4.4).
4. Put the board on the in-feed table.
5. Put the image on top of the board (image side up). Flip back the image at the machine side (1).
6. Fold back approx. 25 mm (1.0 in.) release liner (2) at the machine side and crease this evenly from the inside out.

The final quality depends on the way in which the leading edge of the image is applied to the board.

7. Apply the image (3) to the board (C).
8. Insert the edge with the image adhered to into the nip (D).
9. Lay the loose end (4) of the image smoothly over the upper roller.
10. Use the footswitch to start/stop in slow mode, keeping your hands free.

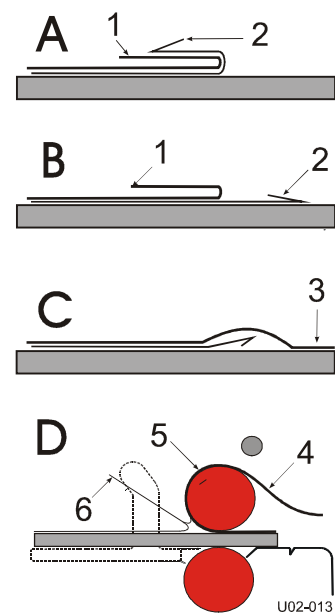


Figure 19: Mounting images or decals



WARNING:

KEEP YOUR FINGERS CLEAR OF THE NIP. THE OPTICAL SAFETY DEVICE IS NOT FUNCTIONING WHEN USING THE FOOTSWITCH IN SLOW MODE.

11. With your left hand - peel back the release liner (6) from the image or board as it is slowly fed into the nip without stopping.

Note: Removing the release liner completely exposes the adhesive to dirt and dust that will get trapped under the image.

12. With your right hand, keep the image smooth against the upper roller (5) preventing the image from wrinkling.



For the best result; do not stop while feeding an image.

5.4.4 Over-lamination

After an image is mounted to a panel, a protective laminate can be applied. This process is the same as pre-coating a board (section 5.4.2). The over-laminate can be a pressure sensitive lamination film.

Note: SEAL® advises to create decals (see section 5.4.6) since this better protects the print that needs to be mounted.

5.4.5 Single-sided lamination

Images can be laminated single-sided with or without using carrier boards (sled).

This laminate should be a pressure sensitive film with or without release liner.

Disadvantage of the single sided lamination process is the adhesive residue that can stay behind on the rollers where there is no image.

To avoid this, release liner or carrier boards can be used. Or the image must be wider than the laminate and pieces of scrap material must be in the nip to start or end the process.

Using release liner (recommended)

- Use a roll of release liner in the lower section.
- Web the upper and lower section of the machine as described above (section 5.3.2).

When the images are cut from the result, the release liner will separate from the image automatically.

Using carrier boards (sled)

- Web the upper section of the machine as described above (section 5.3.2).
- Put the image on a carrier board with the image side up and follow the steps for pre-coating a board (section 5.4.2).

5.4.6 Decaling

When decaling, a laminate is put over the image and an adhesive is put on the backside of the image.

1. Load and web laminating films in the upper and the lower section as described in section 5.3.3.
2. Feed the images into the nip, allowing a gap between them.
3. Cut the result with a safety blade cutter when the images are clear of the rollers.

This decal can later be mounted onto a panel or other substrate.

5.5 Unloading

To unload the machine:

1. Cut the result after the last image (panel after the leader panel).
2. Cut both films 1" (25 mm) above roller surface using a safety blade cutter.
3. Open up the nip and remove the (leader panel and) films from the rollers at the rear.

To unload a roll from the shaft:

4. Take out the autogrip shaft (See 5.2.1).
5. Remove the material roll from the autogrip shaft

6 CLEANING/MAINTENANCE

The machine has to be cleaned regularly. Dirt and dust will have a negative influence on the result of the lamination processes.



CAUTION:

Do not use abrasive materials for cleaning the machine. This can damage the painted surfaces or the silicone covering of the rollers.

Use a damp cloth for cleaning.



CAUTION:

Make sure water does not run into any of the cabinets. This can damage the electrical circuits when power is applied.

Clean the exterior of the machine with a damp cloth as needed. If necessary, use a household-cleaning solution to remove difficult marks.

Clean the shafts and the rubber cords as required.

6.1 Cleaning the silicone covered rollers

The rollers must be cleaned regularly to prevent a build-up of residue. This may eventually damage the rollers.

Use a damp lint-free cloth to remove dust and other dirt.

Difficult stains can be removed with the aid of isopropyl alcohol (IPA) and a clean lint-free cloth.

Do not pour isopropyl alcohol directly on the machine.



WARNING:

ISOPROPYL ALCOHOL IS VERY FLAMMABLE! THE FLASH POINT OF IPA IS 11°C (51.8°F). THE SELF-IGNITION TEMPERATURE IS 400°C (752°F).

6.2 Preventive maintenance

SEAL® machines are designed so they need little (preventive) maintenance in addition to the cleaning.

The following checks have to be performed:

- Auto-grip shafts with blocking cords.

6.2.1 Auto-grip shafts

Check the auto-grip mechanism on each shaft.

- The distance (d) between the rubber cord and flat edge should be 8 ± 2.5 mm minimum.

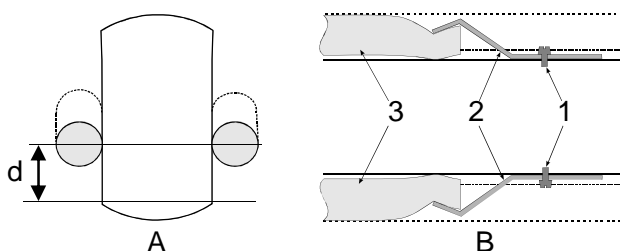


Figure 20: Auto-grip shaft

If not, correct as follows:

- Loosen the clamp (2) with the screw (1) until the cord is free on one side.
- Shorten the cord by cutting approximately 10 mm (0.4 in.) off.
- Put the end of the cord back underneath the clamp (2).
- Secure it by tightening the screw (1).

7 TROUBLESHOOTING

List of common problems and solutions that the user can correct:

Problem	cause	solution
The power LED does not come on, when the machine is switched on.	There is no power	Check if the power cable is plugged into the mains wall outlet. Check main power fuse by the power inlet.
Both the forward and the reverse LED is flashing	The voltage from the motor power supply is too low or too high	Reset the power Call your service technician.
Forward LED or reverse LED is flashing	Drive-motor is in overload	Stop then restart the machine. Turn down the film tension.

For technical assistance, please contact your technical service representative (see 8.2)

7.1 Troubleshooting Processes

During processing wrinkles can show up in the image (1) on the in-feed table (2) and in the process result (4) on the output table.

The figures below show some examples where it is caused by the main rollers (3) and gives a possible solution.

Wait until a few meters are processed to see results.

For best results, always work in the center of the machine.

Pressure too high.

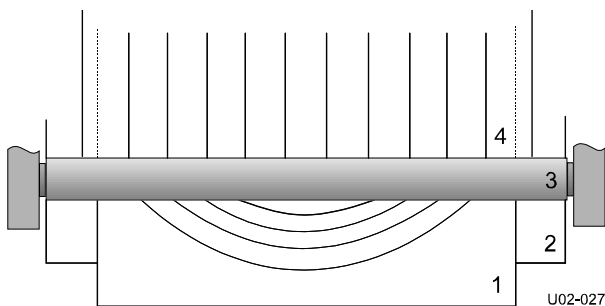


Figure 21: Wrinkles due to high pressure.

- Contact your dealer and ask for technical assistance.

Pressure too low.

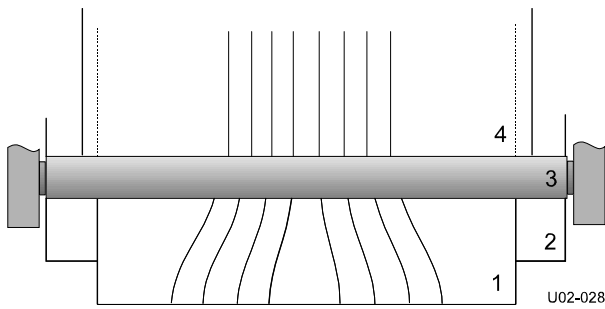


Figure 22: Wrinkles due to low pressure.

- Contact your dealer and ask for technical assistance.

Unwind tension too low.

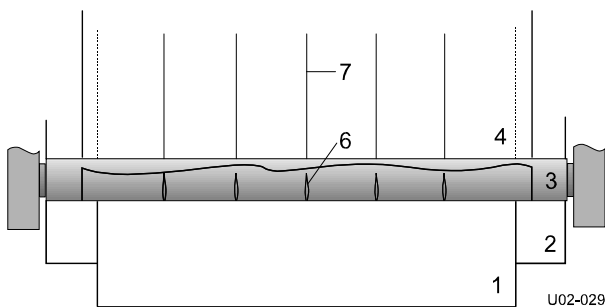


Figure 23: Wrinkles due to low unwind tension.

- Increase the unwind tension until the wrinkles (6) in the film on the roller disappear. The lines (7) in the process result will disappear as well.

Roller alignment fault.

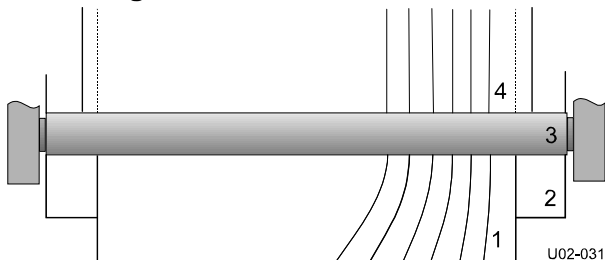


Figure 24: Wrinkles due to faulty roller alignment.

The wrinkles occur on one side only (left or right).

- Contact your dealer and ask for technical assistance.


7.2 Technical assistance

For technical assistance you can contact your dealer or see www.sealgraphics.com for information. Make a clear description of the problem before contacting technical assistance.

Please keep the type and serial number of your machine at hand. You can find this data on the identification plate of your machine, which can be found on the rear side of the right cabinet.

8 PROCESS CONTROL SHEET

Note: We recommend that you make a photocopy of this page. With each successfully run application, record the process and settings and a diagram of the webbing procedure. Keep the record so the application can be repeated at a later date.

 If a standard image is made available for each new process then sales materials and samples can be developed for reference.

LAMINATOR SETTINGS

Media: _____

 Process: _____
 Application Use: _____
 Upper Unwind Shaft: _____
 Lower Unwind Shaft: _____
 Wind-up Tube: _____
 Motor Speed Setting: _____

WEBBING SETTINGS

Web Tension Upper Unwind Shaft:
 Light / Med. / Heavy _____
 Web Tension Lower Unwind Shaft:
 Light / Med. / Heavy _____
 Nip Height: _____

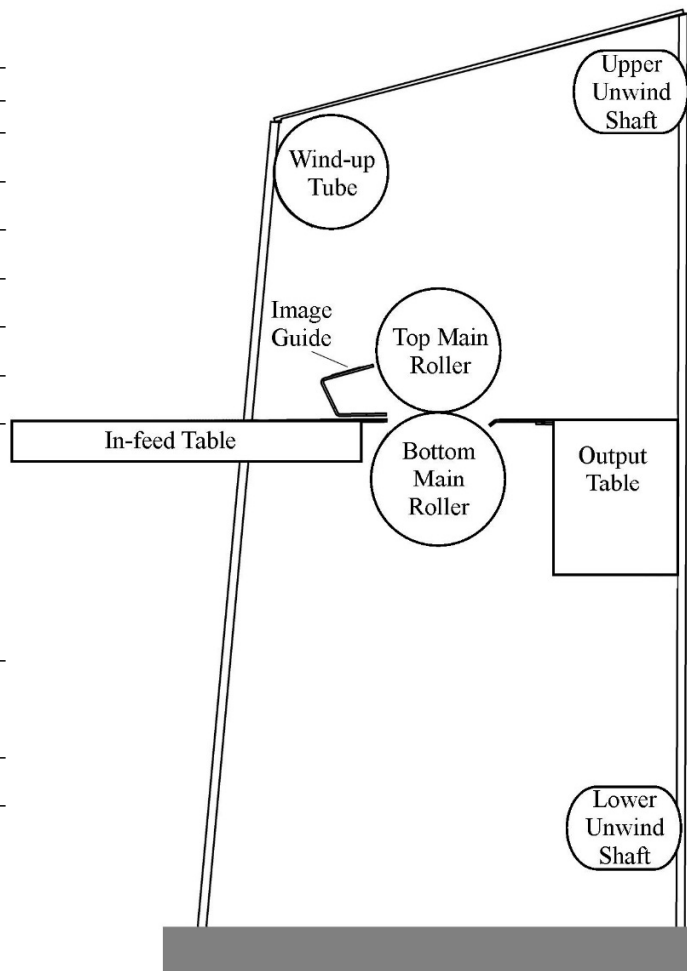


Figure 25: Blank Webbing Diagram

9 GLOSSARY OF TERMS

Decal

An image that has been laminated on top (either heat-activated or pressure-sensitive) with an adhesive backing.

In-Feed

The side of the laminator from which images are fed.

Leader Panel

A piece of foam board about 1 m (40 in) x 10 cm (4 in) used to push films into the nip. Also used for mounting or pre-coating boards to prevent adhesive from getting onto the rollers and sealing edges.

Mil

Refers to the thickness of the laminate in 1/1000ths of an inch.

Mounting

Applying an image onto a type of foam board or substrate.

Nip

The spot where the top and bottom rollers meet.

Out-Feed

The side of the laminator from which completed images emerge.

Pre-Coating

The process of coating a substrate with an adhesive mounting film onto which an image can be mounted.

Press

The amount of force in distance put on anything that passes between the top and bottom rollers.

Pressure-Sensitive Laminates

Laminates with an adhesive, which forms a bond between the protective film and the surface of the image being laminated when applied with pressure. Used primarily for fast mounting applications and recommended for heat-sensitive thermal and photographic prints.

Release Liner

The backing on a pressure-sensitive laminate or mounting adhesive which prevents the film from sticking to itself. After peeling the release liner off, the adhesive layer becomes exposed.

Carrier Board (Sled)

A piece of smooth, non-crushable board (preferably Masonite) coated with a mounting adhesive and leaving the release liner on to provide the necessary non-stick surface. A piece of foam board can also be used, but it will not have the longevity of the Masonite board. Carrier Boards are used when laminating one side of an image only.

Substrate

The material to which an image is mounted or affixed.

10 LIMITED WARRANTY

SEAL® warrant to the original consumer purchaser that all new SEAL® laminators that prove defective in materials or workmanship within the applicable warranty period will be repaired or, at our option, replaced without charge. The main rollers are only warranted for manufacturing defects as the rollers are subject to wear and tear depending on usage of the machine. This warranty does not apply if it is found that at any time the equipment has not been used for its intended purpose.

“Original consumer purchaser” means the person whom first purchased the product covered by this warranty other than for purpose of resale. The warranty extends to and is enforceable by only the original consumer purchaser, and only for the period (during the applicable term) which the product remains in the possession of the original consumer purchaser.

The warranty printed in this manual is not binding and may not be accurate for your area. For specific information regarding the warranty, please contact your distributor or see www.sealgraphics.com.

ATTENTION!

CHANGES OR MODIFICATIONS TO THIS UNIT NOT EXPRESSLY APPROVED BY THE MANUFACTURER COULD VOID THE USER'S AUTHORITY TO OPERATE THE EQUIPMENT.

ATTENTION!

ANY UNAUTHORIZED CHANGES OR MODIFICATIONS TO THIS UNIT WITHOUT OUR PRIOR WRITTEN APPROVAL WILL VOID THE USER'S WARRANTY AND WILL TRANSFER HEALTH AND SAFETY OBLIGATIONS TO THE USER.

Note:

This equipment has been tested and found to comply with the limits for a class A digital device, pursuant to part 15 of the FCC rules. These limits are designed to provide reasonable protection against harmful interference when the equipment is operated in a commercial environment. This equipment generates, uses and can radiate radio frequency energy. If not installed and used in accordance with Owner's Manual, may cause harmful interference to radio communications. Operation of this equipment in a residential area is likely to cause harmful interference; in which case, the user will be required to correct the interference at their own expense.

11 INDEX

A		M	
Application Processes	14	Max. Speed	4
D		N	
Dimensions.....	4	Nip.....	4
E		R	
Environment Conditions	6	Roller Pressure	4
G		S	
Glossary of Terms.....	27	Speed.....	4
I		Standardized Symbols	1
Image Guide	13	W	
interlock basket.....	15	Weight	4
L		wind-up idler	13
Liability Statement	1	Workspace Requirements	6

Introduction

Nous vous remercions d'avoir acheté un SEAL® 54/65 EL et vous souhaitons de longues années d'utilisation. Les directives de maintenance et d'utilisation fournies dans ce manuel vous permettront de rentabiliser votre investissement pendant de nombreuses années sans souci de fonctionnement. Votre lamineur 54/65 EL est conforme aux directives CE (2004/108/CE et 2006/95/CE) ainsi qu'à la directive RoHS. Il est également répertorié ETL aux États-Unis (UL 60950-1) et au Canada (CSA C22.2 60950-1).

Usage préconisé

Le lamineur 54/65 EL est conçu pour être utilisé avec des produits SEAL®. Lorsqu'il est employé avec ces produits, il permet des opérations de montage et de lamination. Comme il n'a pas été testé avec d'autres produits, il n'est pas conseillé de l'utiliser avec des marques différentes de SEAL®.



AVERTISSEMENT

**CETTE MACHINE EST CONÇUE POUR LE MONTAGE ET LA LAMINATION.
TOUT USAGE DIFFÉRENT POURRAIT ENDOMMAGER L'APPAREIL OU
BLESSER L'UTILISATEUR.**

Déclaration de responsabilité

Les détails fournis dans ce manuel sont basés sur les informations les plus récentes dont nous disposons. Toutefois, elles sont susceptibles d'être modifiées à l'avenir. Nous nous réservons le droit d'apporter des modifications à la fabrication ou à la conception de nos produits sans avoir l'obligation de modifier les versions antérieures déjà livrées.

Symboles normalisés



Les passages ainsi indiqués constituent des idées, des astuces ou d'autres informations pour une meilleure utilisation de la machine.



AVERTISSEMENT

**VEUILLEZ FAIRE BIEN ATTENTION À TOUS LES PASSAGES AINSI INDIQUÉS.
CES INFORMATIONS SONT CRUCIALES POUR ÉVITER TOUTE BLESSURE DE
L'UTILISATEUR OU DÉTÉRIORATION DE LA MACHINE. LE NON-RESPECT DE
CES INFORMATIONS POURRAIT ANNULER LES GARANTIES ET TRANSFÉRER
À L'UTILISATEUR TOUTES LES RESPONSABILITÉS EN MATIÈRE DE SÉCURITÉ.**

Table des matières

Introduction	30
1 Spécifications	33
1.1 Caractéristiques techniques	33
1.2 Options	34
2 Sécurité / Mesures de protection importantes	34
2.1 Symboles de sécurité utilisés sur l'équipement	34
2.2 Boutons d'arrêt d'urgence	35
3 Déballage et installation	35
3.1 Conditions ambiantes	35
3.2 Environnement	35
3.3 Alimentation électrique	35
3.4 Exigences relatives à l'espace de travail	35
3.5 Déballage du laminateur	36
3.6 Installation du laminateur	37
3.7 Transport	38
4 Description de la machine	39
4.1 Panneau de commande	40
4.2 Commandes du moteur	40
4.2.1 Mode lent	41
4.2.2 Inversion du sens de la machine	41
4.2.3 Freins de déroulement	42
4.2.4 Réglage de la ligne de contact des rouleaux	42
4.2.5 Rangement du guide d'image	42
5 Procédés d'application	43
5.1 Principe d'un procédé	43
5.2 Chargement de la machine	44
5.2.1 Retrait d'un mandrin de déroulement	44
5.2.2 Chargement d'un mandrin avec rouleau de film	44
5.2.3 Chargement du mandrin de déroulement dans la machine	45
5.3 Amorçage des films	45
5.3.1 Préréglage de la tension	45
5.3.2 Amorçage pour procédé à face unique	46

5.3.3	Amorçage pour procédé double-face	47
5.4	Procédés et réglages	48
5.4.1	Généralités	48
5.4.2	Prérevêtement des panneaux	48
5.4.3	Montage d'images ou de décalques	49
5.4.4	Surlamination	50
5.4.5	Lamination simple face	50
5.4.6	Décalques	51
5.5	Déchargement	51
6	Nettoyage/Maintenance	51
6.1	Nettoyage des rouleaux revêtus de silicone	52
6.2	Maintenance préventive	52
6.2.1	Mandrins antidérapants	52
7	Dépannage	53
7.1	Résolution des problèmes	53
7.2	Assistance technique	54
8	Process Control Sheet	55
9	Glossaire	56
10	Garantie limitée	57
11	Index	58

1 SPÉCIFICATIONS

1.1 Caractéristiques techniques

	Unités anglo-saxonnes	Unités métriques
Largeur utile max.		
54 EL	54 po maximum	1400 mm max
65 EL	65 po maximum	1651 mm max
Vitesse max.	426,72 pi/min	4,25 m/min
Dimensions (H x l x P)		
54 EL	48 x 71,3 x 24 po	1220 x 1811 x 610 mm
65 EL	48 x 82,3 x 24 po	1220 x 2090 x 610 mm
Dimensions à l'expédition (H x l x P)		
54 EL	58 x 74 x 29 po	1473 x 1880 x 737 mm
65 EL	61 x 88 x 30 po	1549 x 2235 x 762 mm
Poids		
Poids net		
54 EL	325 lbs	147 kg
65 EL	430 lbs	195 kg
Poids à l'expédition		
54 EL	434 lbs	197 kg
65 EL	544 lbs	247 kg
Diamètre de rouleau maximum		
Déroulement	8 po	200 mm
Appel	6 po	150 mm
Poids maximum de rouleau		
Déroulement	85 lb	38,5 kg
Appel	35 lb	15,9 kg
Ouverture du rouleau (min. - max.)	0 – 1 po	0 – 25 mm
Pression de rouleau	3 lb/po	0,53 N/mm
Caractéristiques électriques		
USA/Canada	115 V~, 50/60 Hz, 1 A, 115 W - Fiche NEMA 5-15	
Europe	230 V~, 50/60 Hz, 0,5 A, 115 W - Fiche BS1363 ou fiche Europe continentale (de type Schuko)	
Construction des rouleaux	Deux rouleaux en acier recouverts de silicone	

* Les spécifications peuvent être modifiées sans avis préalable.

1.2 Options

Le 54/65 EL version "A" a plusieurs options disponibles. Les options sont:

article	Description	Numéro de pièce
1	54 EL nourrir dans Plateau option	5402A
2	65 EL nourrir dans Plateau option	6502A
3	Pieds stabilisateurs Option	5406A
4	54 EL-1 guide de l'image	5411A
5	65 EL-1 guide de l'image	6511A

Remarque: Certaines options peuvent être inclus avec votre modèle.

2 SÉCURITÉ / MESURES DE PROTECTION IMPORTANTES

2.1 Symboles de sécurité utilisés sur l'équipement



PIECES ROTATIVES

DANGER DE TYPE MÉCANIQUE. TOUTE IMPRUDENCE À PROXIMITÉ DES ROULEAUX EXPOSÉS PEUT ENTRAÎNER DES BLESSURES. ASSUREZ-VOUS QUE LES VÊTEMENTS AMPLES, LES CHEVEUX LONGS, LES BIJOUX, ETC., NE S'ENCHEVÊTRENT PAS DANS LES PARTIES TOURNANTES.



AVERTISSEMENT RELATIF AUX DECHARGES ELECTROSTATIQUES

PRENEZ DES PRÉCAUTIONS AUTOUR DES ROULEAUX. IL EXISTE UN RISQUE DE DÉCHARGE ÉLECTROSTATIQUE AVEC CERTAINS MATÉRIAUX. VEILLENZ À ÉVITER L'ACCUMULATION D'ÉLECTRICITÉ STATIQUE GRÂCE À UNE MISE À LA TERRE CORRECTE DE LA MACHINE, AU MAINTIEN D'UN TAUX D'HUMIDITÉ AMBIANTE ADÉQUAT ET À L'OBSERVATION DE MESURES ANTI-STATIQUES.

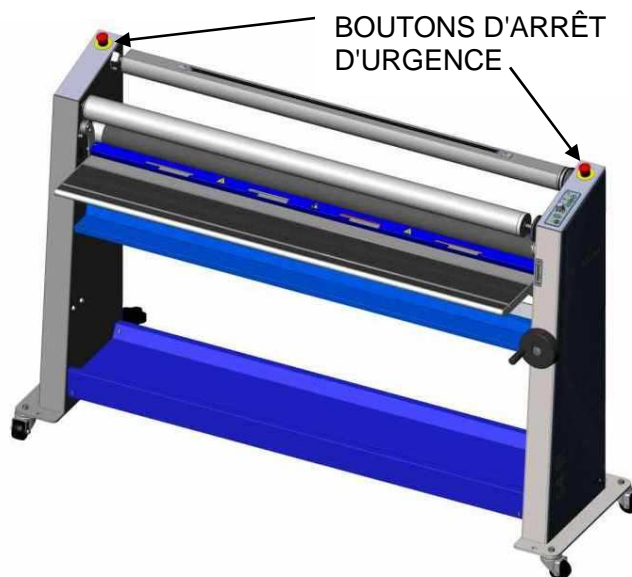


Figure 1

2.2 Boutons d'arrêt d'urgence

Deux boutons se trouvent sur la machine. Ils sont placés sur le dessus des boîtiers de droite et de gauche. Ils sont rouges sur fond jaune circulaire. Ces boutons interrompent la rotation des rouleaux et ne doivent être utilisés qu'en cas d'urgence. Ils se bloquent en position enfoncée et doivent être tournés afin de rétablir leur position et de pouvoir utiliser à nouveau la machine.

3 DÉBALLAGE ET INSTALLATION

Assurez-vous de lire et de comprendre parfaitement le contenu de ce manuel avant d'utiliser votre laminateur.

3.1 Conditions ambiantes

Les conditions ambiantes suivantes sont idéales pour un fonctionnement parfait du laminateur.

Température ambiante

Le 54/65 EL fonctionne parfaitement à des températures comprises entre 16° et 35 °C (50° et 95 °F). Il ne doit pas être exposé à la lumière directe du soleil sous risque d'altérer la qualité de la production.

Humidité relative

Pour garantir des résultats optimaux, l'humidité relative ambiante du 54/65 EL doit se trouver entre 50 et 70 %.

Eau et humidité

Si le laminateur est installé dans une pièce humide ou près d'un point d'eau, l'alimentation électrique doit être conforme aux normes en vigueur.

3.2 Environnement

Le laminateur doit être installé dans un environnement aussi propre et exempt de poussière que possible pour obtenir des produits de haute qualité. Les matériaux utilisés sur cette machine peuvent porter une charge électrostatique et attirer la poussière, ce qui nuirait à la qualité de la production.

3.3 Alimentation électrique

Cette machine doit être branchée conformément aux informations figurant sur sa plaque signalétique fixée à l'arrière. Reportez-vous également aux caractéristiques techniques de cette section pour plus de détails.

3.4 Exigences relatives à l'espace de travail

- Cette machine doit être placée loin de toute source de chaleur, telles que poêle ou bouche de chauffage.
- L'emplacement et la position du laminateur ne doivent pas interférer avec une bonne ventilation.
- L'espace autour de la machine doit permettre l'introduction des produits, la sortie de la production et le découpage des images montées ou laminées.
- La poussière ambiante ne doit pas dépasser celle d'un environnement type de bureau ou de salle d'informatique.
- La zone de travail doit être plane, de niveau et bien éclairée.

3.5 Déballage du laminateur

1. Coupez les bandes fixant la boîte à la palette.
2. À deux, soulevez avec précaution la boîte droit au-dessus de la machine (cf. figure 2).
3. Retirez toute pièce d'emballage restante.
4. Retirez les deux vis à bois détenant rampe en place.
5. Retirez la rampe et l'emballage autour de celle-ci.
6. Placez la rampe comme indiqué à la figure 3.
7. Retirez les quatre boulons de fixation.
8. Retirez les deux blocs de stabilisation.
9. À deux, poussez avec précaution la machine afin de la faire descendre par la rampe.
10. Retirez les matériaux d'emballage restants et déballiez le tube d'appel.
11. Inspectez la machine afin de vous assurer qu'elle n'a pas été endommagée.

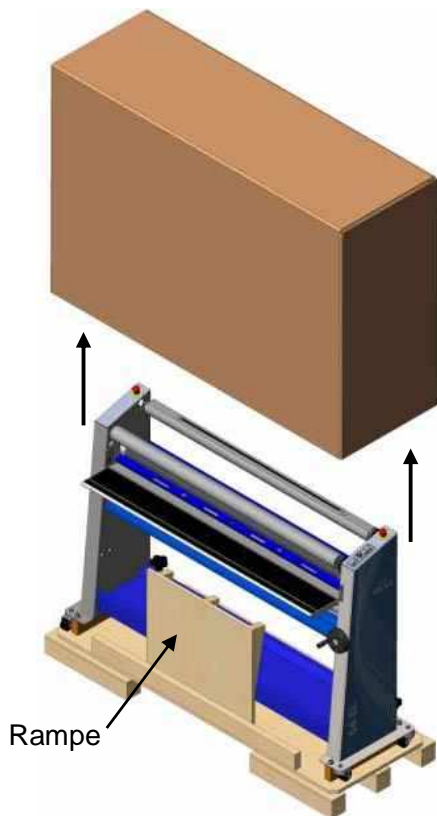


Figure 2

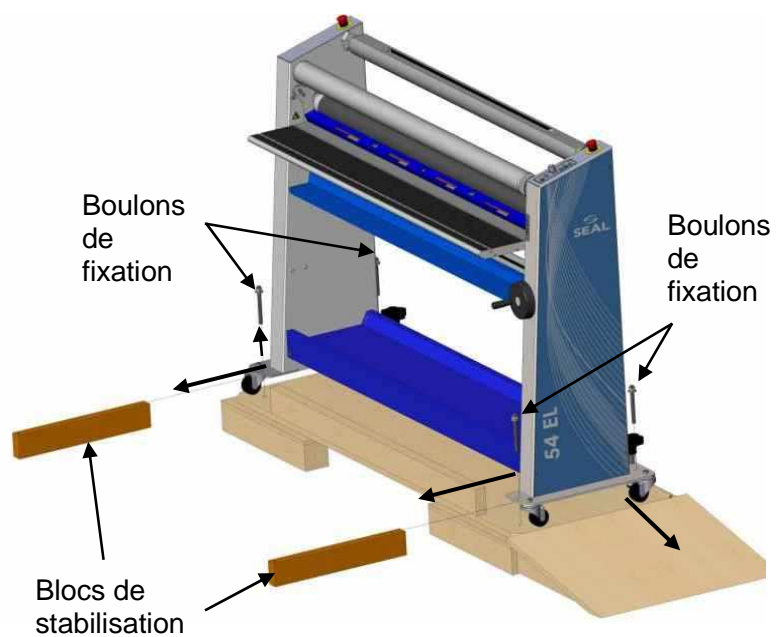
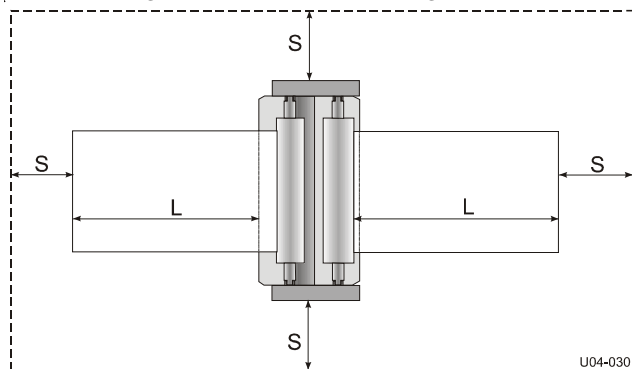


Figure 3

3.6 Installation du laminateur

Votre 54/65 EL doit être assemblé là où il sera utilisé. Il doit être placé sur une surface plane et de niveau.

La machine doit être installée près d'une prise de courant. La fiche et la prise doivent être facilement accessibles. Assurez-vous de brancher le laminateur sur une prise mise à la terre. Il doit impérativement être branché sur une prise capable de fournir en toute sécurité la tension et l'intensité figurant sur la plaque signalétique.



Remarque

À l'emplacement choisi, vérifiez si l'espace autour de la machine est suffisant afin de pouvoir l'alimenter et réceptionner ou découper les images (cf. figure 4).

L = Longueur maximale de la planche
S = Espace minimum 60 cm (24 po)

Figure 4 : Espace de travail

1. Placez la machine à l'endroit souhaité.
2. Installez le guide d'image sur la table comme indiqué à la figure 5.
Nota: imagine Guide è opzionale su alcuni modelli.
3. Placez tout d'abord le tube d'appel sur le ressort de compression du côté droit, puis insérez le côté gauche sur l'entraînement (figure 5).
4. Branchez le câble d'alimentation sur une prise de terre de la tension appropriée.

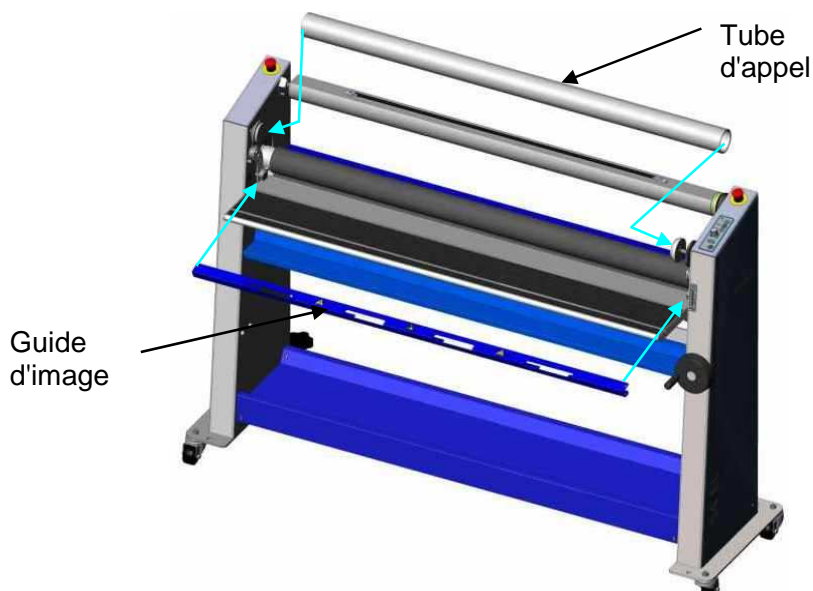


Figure 5

5. Verrouiller la machine en place avec le pied en appuyant sur le mécanisme de verrouillage sur les roues avant (Voir la figure 6).

Remarque – Un sol inégal peut altérer la qualité de la lamination. Si le sol n'est pas plat, contactez l'assistance clientèle afin de vous renseigner sur la mise de niveau de la machine.



AVERTISSEMENT

MACHINE DOIT ÊTRE FIXÉ EN PLACE AVANT D'UTILISER.

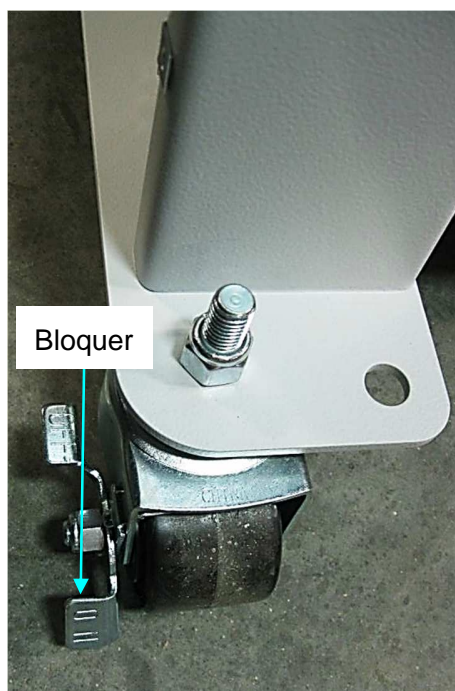
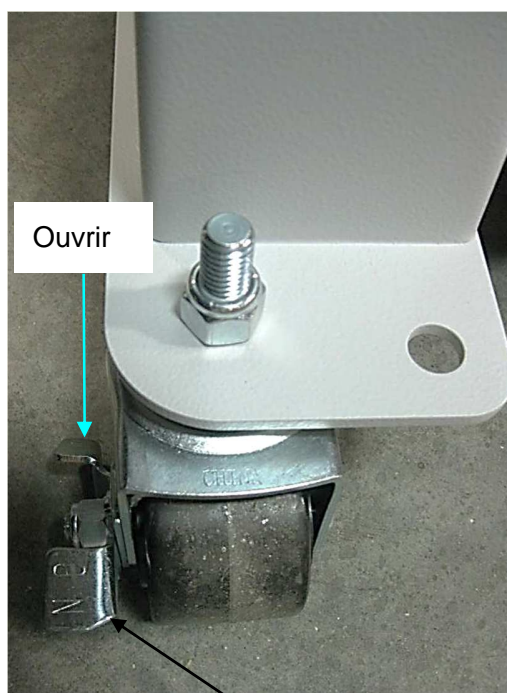


Figure 6

Levier de verrouillage



AVERTISSEMENT

ASSUREZ-VOUS QUE LE CORDON D'ALIMENTATION ÉLECTRIQUE OU DE RALLONGE NE VOUS GÊNE PAS POUR CIRCULER AUTOUR DE LA MACHINE.

3.7 Transport

Cette machine peut être déplacée sur ses roulettes sur une surface lisse.



MISE EN GARDE

Déverrouillez les roues avant de passer la machine.

Lors du déplacement de la machine sur des surfaces inégales ou sur de longues distances, utilisez la palette et l'emballage d'origine, ainsi qu'un transpalette ou un chariot élévateur à fourche.

4 DESCRIPTION DE LA MACHINE

Fonctions et avantages du 54/65 EL

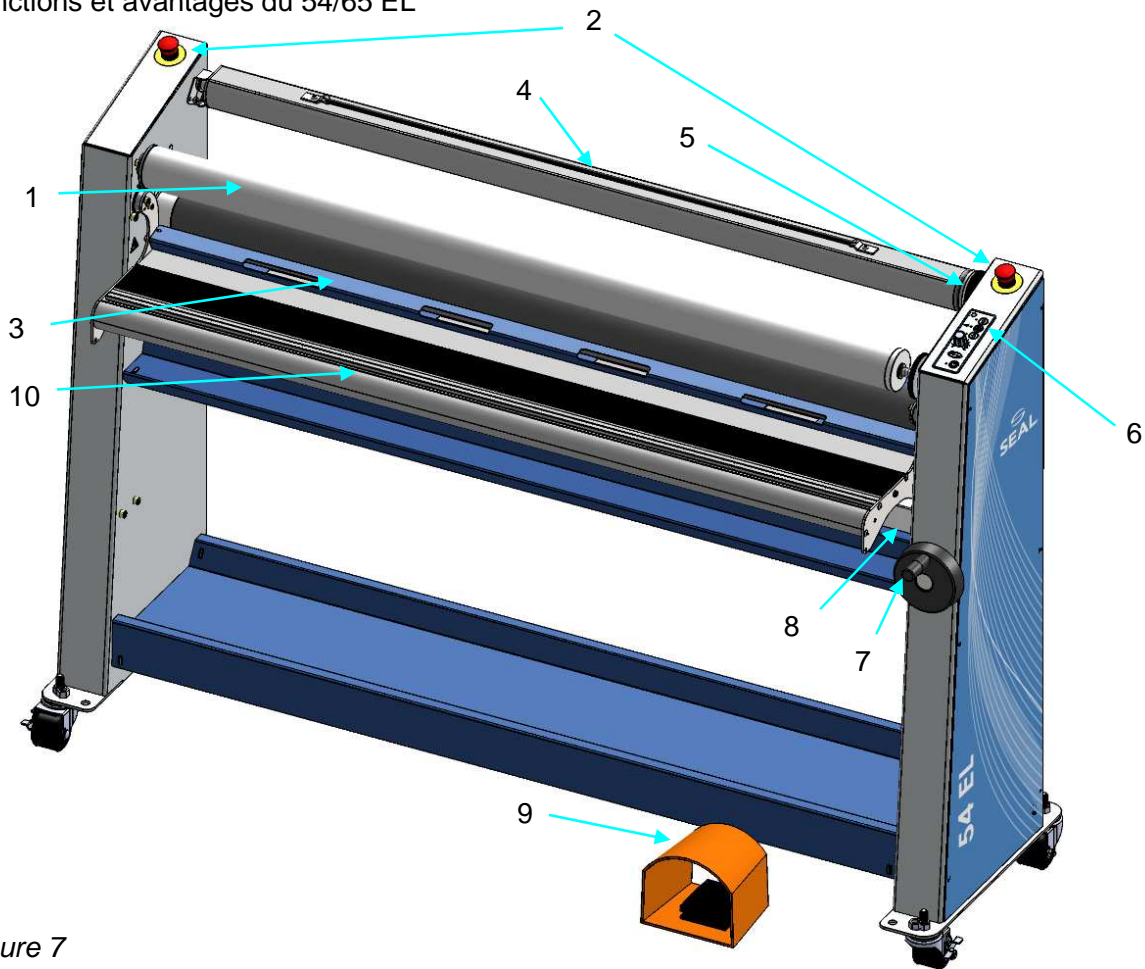


Figure 7

Identification des pièces		
1	Tube d'enroulement	Permet d'enrouler le liner.
2	Boutons d'arrêt d'urgence	Permettent d'arrêter la machine en cas d'urgence.
3	Guide d'image	Permet d'introduire les images. (En option sur certains modèles.)
4	Mandrin de déroulement supérieur	Ce mandrin est compatible avec les rouleaux comportant un centre de 76 mm (3 po).
5	Frein de déroulement	Un dispositif simple pour régler la tension de déroulement.
6	Panneau de commande	Permet de contrôler la rotation des rouleaux et l'état de veille.
7	Manette de la ligne de contact	Permet de régler la distance entre les rouleaux.
8	Mandrin de déroulement inférieur	Ce mandrin est compatible avec les rouleaux comportant un centre de 76 mm (3 po).
9	Interrupteur à pied	Permet de passer en mode lent.
10	Table d'introduction	Surface plane sur laquelle déposer le matériau à travailler.

L'étiquette indiquant le numéro de série et les caractéristiques nominales se trouve à l'arrière de la machine, à côté de l'alimentation électrique.

4.1 Panneau de commande

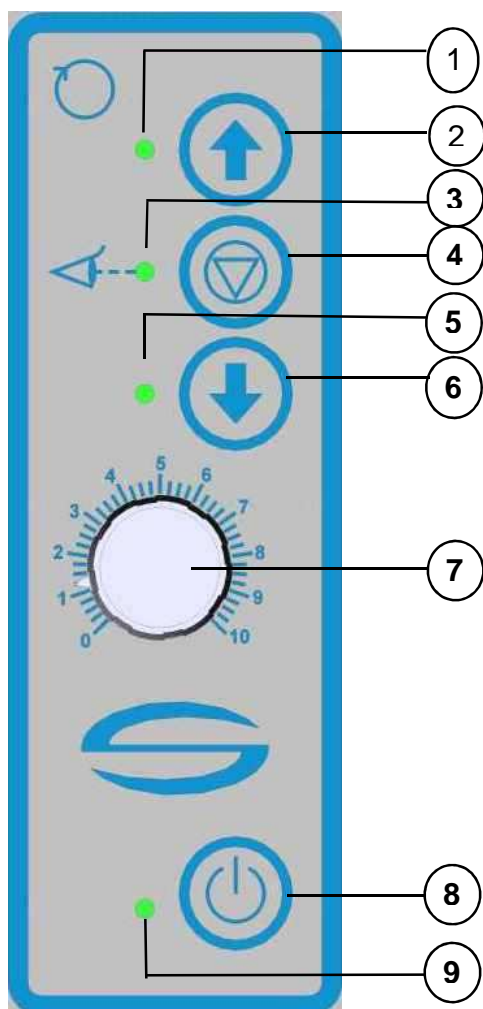


Figure 8

1	DEL de marche avant	S'allume lorsque l'entraînement fonctionne en avant.
2	Bouton Avant	Permet d'enclencher le fonctionnement vers l'avant.
3	Système de sécurité optique à DEL	S'allume lorsque le faisceau lumineux n'est pas bloqué. Clignotant lorsque enfoncé le bouton d'arrêt d'urgence.
4	Bouton d'arrêt	Permet d'arrêter l'entraînement.
5	DEL de marche arrière	S'allume lorsque l'entraînement fonctionne en arrière.
6	Bouton Arrière	Lorsqu'il est maintenu enfoncé, ce bouton permet de faire fonctionner la machine en marche arrière.
7	Bouton de réglage de la vitesse	Permet de régler la vitesse des rouleaux.
8	Bouton de veille	Bascule marche/arrêt (appuyez pendant 2 secondes)
9	DEL de mise sous tension	S'allume lorsque la machine est sous tension.

4.2 Commandes du moteur

La vitesse des rouleaux est réglable en permanence entre 0 et 4,25 m/min (0 et 14 pi/min). L'activation du bouton \uparrow fait tourner les rouleaux vers l'avant, tandis que le bouton \downarrow inverse leur sens de rotation lorsqu'il est maintenu enfoncé. La touche d'arrêt interrompt le mouvement des rouleaux. La vitesse peut uniquement être réglée lorsque la machine fonctionne en marche avant, sans l'interrupteur à pied.



AVERTISSEMENT

VEILLEZ À CE QU'AUCUN VÊTEMENT LÂCHE, CHEVEUX LONGS, DOIGTS OU BIJOUX NE RISQUENT DE SE PRENDRE ENTRE LES ROULEAUX.

4.2.1 Mode lent

La machine dispose d'un mode lent qui peut être activé au moyen de l'interrupteur à pied. Pour rester en mode lent, maintenez la pression sur l'interrupteur à pied. Ce mode doit être utilisé lorsque la table d'alimentation est en position haute. Il est également conseillé lors du travail sur un matériau sans guide d'image. La vitesse peut être réglée lors de l'exécution en mode lent. La velocità può essere regolata giù a zero, ma non può essere regolata ogni superiore al massimo permesso in modalità lenta. La position de la molette de vitesse sera d'environ la même que dans le mode normal pour produire la même vitesse.



AVERTISSEMENT

LORSQUE LA MACHINE FONCTIONNE EN MODE LENT, LE PASSAGE DEVANT LES CELLULES PHOTO-ÉLECTRIQUES NE L'ARRÊTE PAS. EN MODE LENT, UN BIP SONORE EST ÉMIS ET LA VITESSE DES ROULEAUX EST RÉDUITE. LA MACHINE S'ARRÊTE LORSQUE L'INTERRUPTEUR À PIED EST RELÂCHÉ.

Procédez comme indiqué ci-dessous pour passer du mode lent au mode normal sans arrêter la machine (pour éviter une marque d'arrêt).

- En mode lent (avec l'interrupteur à pied utilisé), appuyez sur et maintenez le bouton ↑ (avant) du panneau de commande.
- Relâchez ensuite l'interrupteur à pied. La machine fonctionnera à la vitesse normale.
- Relâchez le bouton ↑ (avant).

Procédez comme indiqué ci-dessous pour passer du mode normal à lent sans arrêt.

- Appuyez sur l'interrupteur à pied.
Remarque – La machine s'arrête lorsque l'interrupteur à pied est relâché.

4.2.2 Inversion du sens de la machine



AVERTISSEMENT

RESTEZ LOIN DE LA LIGNE DE CONTACT ARRIÈRE LORS DU PASSAGE EN MODE DE FONCTIONNEMENT INVERSE.

Pour inverser le sens de rotation des rouleaux, appuyez sur le bouton ↓ (arrière). Tant que ce bouton est enfoncé, la machine fonctionne en sens inverse, à une vitesse approximative de 1 m/min. Elle s'arrête lorsque le bouton est relâché.

La rotation des rouleaux s'interrompt dans les cas suivants :

- les cellules photo-électriques placées devant les rouleaux principaux sont coupées ;
Remarque : ceci ne se produit pas lors de l'utilisation de l'interrupteur à pied (mode lent).
- l'opérateur appuie sur un bouton d'arrêt d'urgence ;
- l'interrupteur à pied est brièvement actionné ;
- des tensions de déroulement excessives sont présentes (le moteur s'arrête électroniquement et la DEL de marche avant clignote ; appuyez sur le bouton d'arrêt du panneau de commande pour réinitialiser) ;
- l'opérateur appuie sur le bouton d'arrêt du panneau de commande.

4.2.3 Freins de déroulement

Serrez le frein de déroulement de manière à ce qu'il applique une tension suffisante pour la lamination. Le fait de tourner le collier de frein moleté dans le sens contraire des aiguilles d'une montre augmente la tension de freinage appliquée. Si vous le tournez dans le sens horaire, la tension diminue. Le meilleur réglage de la tension de frein est fonction du matériau utilisé et s'acquiert avec l'expérience.

4.2.4 Réglage de la ligne de contact des rouleaux

Lors d'un montage sur planche, etc., il est important de régler les rouleaux de manière à former un espace approximativement égal à l'épaisseur du substrat employé. Ceci permet d'appliquer une pression adéquate à tout ce qui passe entre les rouleaux afin d'éviter d'endommager le substrat monté (et éventuellement les rouleaux).

Si vous tournez la manette de ligne de contact dans le sens des aiguilles d'une montre, le rouleau supérieur s'élève, et si vous la tournez dans le sens inverse, il s'abaisse.

Réglage de la ligne de contact

Déterminez l'épaisseur du substrat utilisé pour le montage. Prérégalez la hauteur de la ligne de contact en tournant la manette dans le sens horaire jusqu'à ce que l'indicateur de hauteur soit au-dessus de l'épaisseur de la planche.

Insérez à la main la partie avant du substrat dans la ligne de contact. Abaissez le rouleau supérieur en tournant la manette dans le sens inverse des aiguilles d'une montre, jusqu'à ce que ce rouleau touche le substrat en appliquant une pression telle qu'elle l'empêche de bouger latéralement. Le cas échéant, utilisez la marche arrière pour retirer le substrat de la ligne de contact.

Pour les films, tournez la manette dans le sens contraire des aiguilles d'une montre jusqu'à fermer l'espacement, puis continuez jusqu'à ce que la manette tourne librement.

4.2.5 Rangement du guide d'image

Lorsqu'il n'est pas utilisé, le guide d'image peut être rangé sur l'entretoise supérieure ou inférieure.

Nota: imagine Guide è opzionale su alcuni modelli.

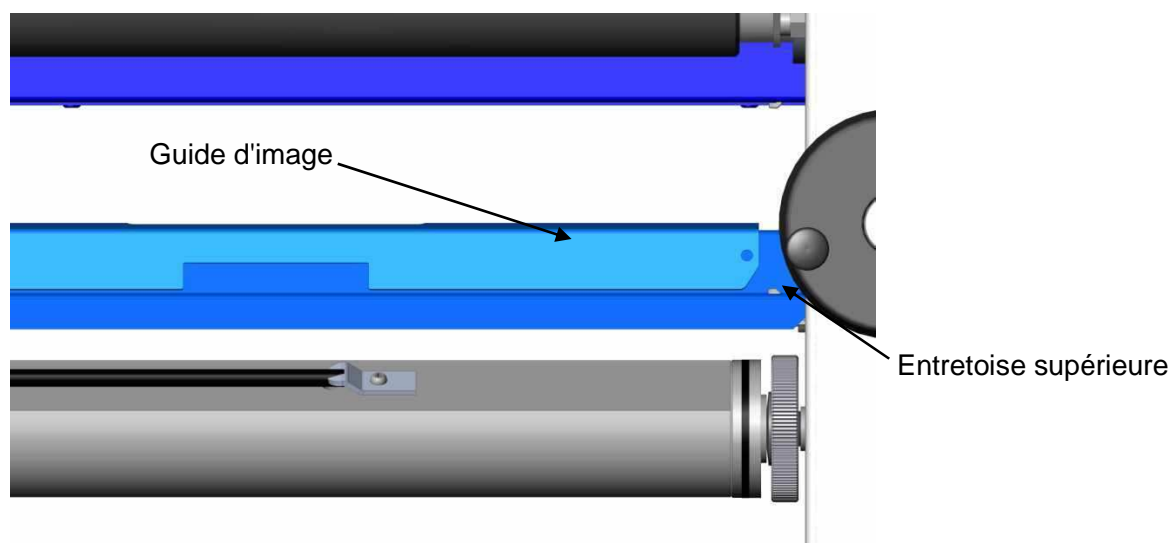


Figure 9

5 PROCÉDES D'APPLICATION

5.1 Principe d'un procédé

Dans tous les procédés, les matériaux entrent par l'avant dans la ligne de contact afin d'être joints par pression.

Un procédé utilisant la machine de manière optimale est illustré à la figure 11. Vous pouvez y observer un procédé de lamination (décalque) double-face.

Le film de revêtement supérieur est un film sensible à la pression doté d'un liner (3) obtenu d'un rouleau d'alimentation placé sur le mandrin de déroulement supérieur (à l'arrière) (5). Le film de revêtement inférieur est un film sensible à la pression (montage) obtenu à partir d'un rouleau d'alimentation placé sur le mandrin de déroulement inférieur (7). Certains modèles ont un séparateur de barre (8) pour aider à l'enlèvement des doublures de libération.

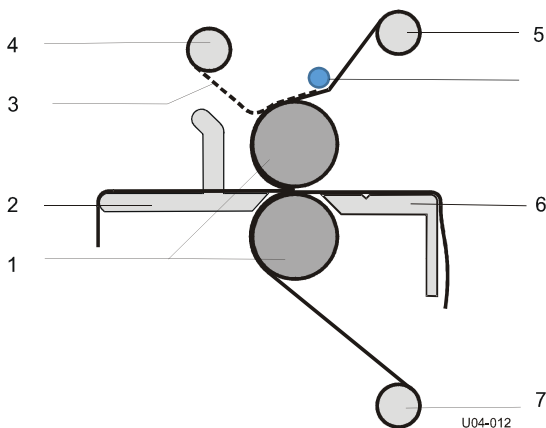


Figure 10 : Création d'un décalque

L'image à laminer est introduite entre les rouleaux principaux (1) par le biais de la table d'introduction (2).


Lors de l'utilisation d'un laminé sensible à la pression, un liner est souvent présent (3) et doit être retiré. Il est enroulé sur le mandrin d'enroulement (4) de la partie supérieure.

Un film de montage comporte deux côtés adhésifs et un liner sur un seul côté. Ce liner doit rester en place jusqu'au montage de l'image.

Les points suivants illustrent la procédure de base permettant de charger des matériaux, d'amorcer le lamineur et de régler la tension du frein en fonction des matériaux utilisés. Il est nécessaire de pouvoir accéder à la machine par l'arrière afin de charger et décharger les mandrins.

5.2 Chargement de la machine

Sélectionnez le ou les films que vous utiliserez sur le dessus (et le dessous) des images. Il est préférable de s'assurer que la taille du support et du laminé correspondent afin d'éviter des problèmes de lamination. Le support peut ainsi être découpé avec une bordure, mais les déchets sont réduits.

 Travaillez toujours au centre de la machine.

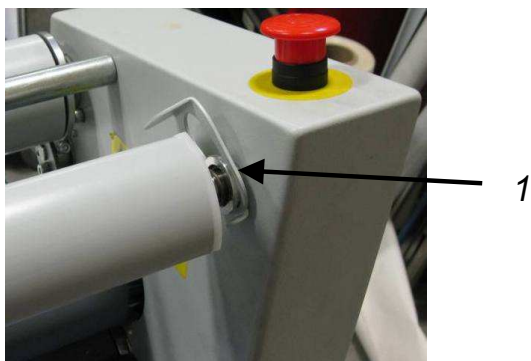


Figure 11 : Dispositif de verrouillage en haut



Figure 12 : Dispositif de verrouillage en bas

5.2.1 Retrait d'un mandrin de déroulement

- Retirez le mandrin d'alimentation souhaité (supérieur ou inférieur) en plaçant le dispositif de verrouillage (1) en position haute (figure 11).
- Faites glisser le mandrin antidérapant vers la droite contre la pression du ressort.
- Soulevez le côté gauche du mandrin en l'éloignant tout d'abord du laminateur, puis de la droite.

5.2.2 Chargement d'un mandrin avec rouleau de film

Le rouleau de film est placé sur le mandrin en fonction du type de film et de l'utilisation de la partie supérieure ou inférieure de la machine. En général, le film sensible à la pression avec liner (A) est enroulé avec le liner (3) et l'adhésif (2) sur l'extérieur du rouleau (1), tandis que le film sans liner (C) a sa couche adhésive à l'intérieur du rouleau. Néanmoins, les films sensibles à la pression généralement disponibles en Amérique du Nord ont le liner à l'intérieur du rouleau (B).

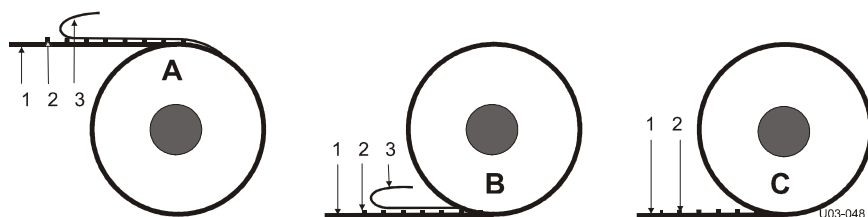


Figure 13 : Rouleaux de film

- Dans la partie supérieure, le côté adhésif (2) en contact avec l'image et le liner (3) doivent se trouver sur le dessus lorsque vous déroulez le film à l'avant de la machine.
- Dans la partie inférieure, le côté adhésif (2) en contact avec l'image doit se trouver sur le dessous lorsque vous déroulez le film à l'avant de la machine.

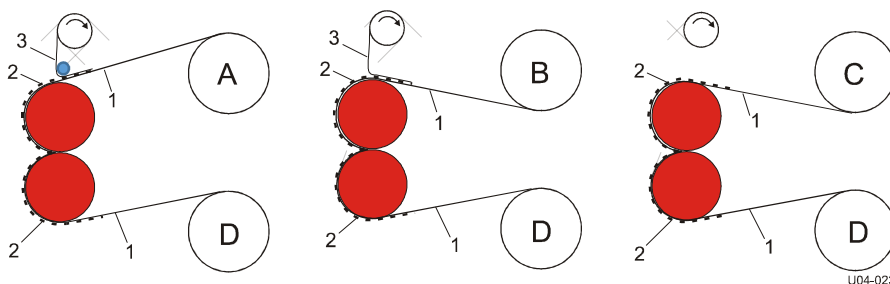


Figure 14 : Films adhésifs

5.2.3 Chargement du mandrin de déroulement dans la machine

- Placez le dispositif de verrouillage en position haute et alignez le support de mandrin droit, comme illustré à la figure 15.
- Saisissez fermement le mandrin de déroulement en plaçant les mains sur les extrémité du rouleau de film pour empêcher que ce dernier ne glisse sur le mandrin pendant le chargement.
- Placez le mandrin, matériau compris, dans le laminateur en l'insérant sur le support de déroulement de droite.
- Poussez contre la pression du ressort afin d'enclencher l'autre extrémité du mandrin dans le support de déroulement de gauche.
- Assurez-vous que le dispositif de verrouillage est en position basse (figure 12).
- Centrez le rouleau dans la machine.



Figure 15 : Position de chargement de déroulement

5.3 Amorçage des films

La machine doit être amorcée afin de pouvoir laminier des images. Il est possible de l'amorcer en vue d'un procédé double-face ou à face unique. Aucun amorçage n'est nécessaire pour le montage.

Remarque – Lors des procédés à face unique, des résidus adhésifs resteront sur le rouleau inférieur si le film est plus large que les images. Pour éviter ceci, il est possible d'utiliser, dans la partie inférieure, un liner de la même largeur que le film supérieur. Ce liner peut être retiré facilement par la suite. Il est également possible d'utiliser un film de la même largeur que les images.

Lors du traitement de panneaux, il est nécessaire d'employer un panneau d'amorce (une chute de taille égale au panneau à traiter) pour introduire le film.

5.3.1 Préréglage de la tension

Pour permettre au film de se dérouler sans former de plis, il est possible de régler la tension (frein). Sur la droite de la machine (côté du panneau de commande), vous trouverez une bague de contrôle de la tension sur chaque mandrin. Tournez cette bague dans le sens des aiguilles d'une montre (du haut vers l'avant) pour réduire la tension, et dans le sens contraire (du haut vers l'arrière) pour l'augmenter.

Lors de l'amorçage du film, il est recommandé de régler une faible tension sur chaque mandrin en tournant la bague dans le sens contraire des aiguilles d'une monte jusqu'à l'apparition d'une légère résistance. Le film doit être tendu, mais il doit être possible de le tirer à la main sans trop d'efforts.

Une trop forte tension de déroulement pourrait étirer le film et plisser le laminé. Une machine correctement réglée doit produire un film sans plis, avec une tension de frein minimale.



MISE EN GARDE

N'utilisez jamais de lame aux alentours des rouleaux. Toute coupure ou égratignure endommagerait les rouleaux, et affecterait la qualité du produit fini.

5.3.2 Amorçage pour procédé à face unique

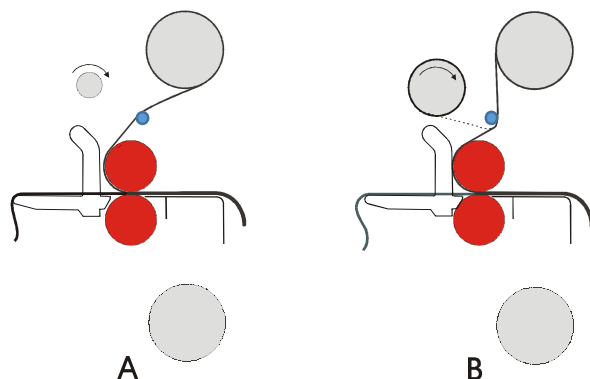



Figure 16 : Amorçage de la partie supérieure

1. Tirez le film vers l'avant jusqu'à ce que 10 cm (4 po) environ se trouvent sur la table d'introduction.
2. Si le film comporte un liner (B) :
 - installez le tube d'enroulement sur la machine ;
 - Si votre machine a une barre de web de la película debajo de la barra.
 - décollez le coin du liner ;
 - décollez le liner du film et collez-le sur le tube avec du ruban adhésif.

 Un tube en carton vide provenant d'un rouleau de film utilisé peut être fixé au tube d'enroulement pour reprendre le liner. Ceci permet de retirer facilement le liner du tube d'enroulement et de le réutiliser, le cas échéant.


3. Levez la table en position complètement ouverte.
4. Levez le rouleau supérieur en position complètement ouverte.
5. Depuis l'arrière de la machine, tirez le film à travers la ligne de contact et collez-le à la table de sortie. Assurez-vous que le film repose bien à plat contre le rouleau supérieur. Le cas échéant, serrez le frein de déroulement.
6. Si vous utilisez le mandrin de déroulement inférieur pour introduire des images ou le liner :
 - insérez le matériau dans la ligne de contact en vous assurant qu'il repose bien à plat sur le rouleau inférieur ;
 - maintenez le matériau en place d'une main ;
 - abaissez le rouleau supérieur en position entièrement fermée (zéro).

Remarque – Utilisez un liner sur le dérouleur inférieur ou une planche de transport lors du traitement d'images fines.

7. Descendez la table en position la plus basse.

8. Si vous introduisez des images découpées :

- placez une chute de papier dans la ligne de contact égale à la largeur du laminé et d'environ 30 cm (12 po) de long ;
- maintenez la chute en place d'une main ;
- abaissez le rouleau supérieur en position entièrement fermée (zéro) ;
- introduisez les images sur la chute de papier ou la fin de la dernière image.

 Lors de la découpe de feuilles d'images, laissez toujours assez de marge pour que du matériau se trouve toujours dans la ligne de contact tandis que vous coupez l'image laminée à l'arrière de la machine. Le film ne doit jamais entrer en contact avec le rouleau inférieur.

9. Tirez le film de la table de sortie (point 6) et repliez-le sur le dessous de la lamination pour éviter qu'il ne recolle à la table.

10. Utilisez l'interrupteur à pied pour lancer le fonctionnement, puis passez en vitesse normale avec le bouton de marche avant une fois prêt.

5.3.3 Amorçage pour procédé double-face

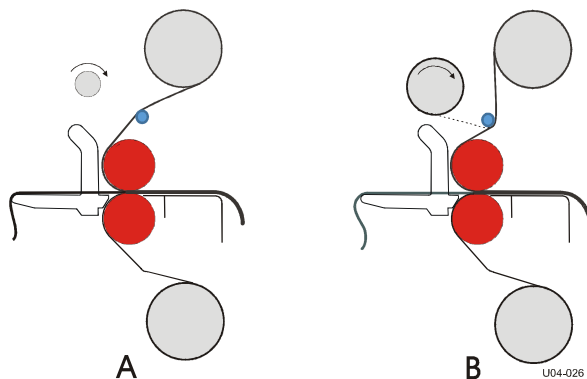



Figure 17 : Amorce des parties inférieure et supérieure

Il convient d'amorcer tout d'abord la partie supérieure.

1. Tirez le film vers l'avant jusqu'à ce qu'il atteigne presque la table d'introduction, et placez-le à plat sur le rouleau supérieur.
2. Si le film comporte un liner (B) :
 - installez le tube d'enroulement sur la machine ;
 - Si votre machine a une barre de web de la película debajo de la barra.
 - décollez le coin du liner ;
 - décollez le liner du film et collez-le sur le tube avec du ruban adhésif.

 Un tube en carton vide provenant d'un rouleau de film utilisé peut être fixé au tube d'enroulement pour reprendre le liner. Ceci permet de retirer facilement le liner du tube d'enroulement et de le réutiliser, le cas échéant.

Amorcez à présent la partie inférieure.

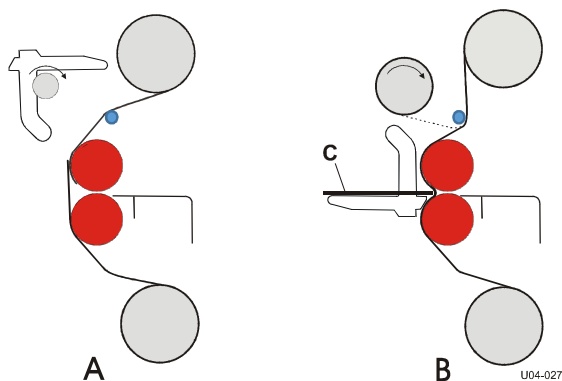


Figure 18 : Amorce de la partie inférieure

3. Soulevez la table d'introduction et placez-la en position haute (A).
4. Déroulez le film du rouleau de déroulement inférieur.
5. Tirez le film vers l'avant jusqu'à ce que l'extrémité atteigne la partie au-dessus de la ligne de contact et collez-la au film de la partie supérieure.
6. Abaissez la table d'introduction.
7. Réglez la hauteur de la ligne de contact en fonction de l'épaisseur approximative du panneau d'amorce.
8. Poussez les films avec un panneau d'amorce (C) dans la ligne de contact en mode lent (B).
9. Lorsque le panneau d'amorce est complètement sorti de la ligne de contact, abaissez le rouleau supérieur en position complètement fermée (hauteur de ligne de contact = 0).
10. Utilisez l'interrupteur à pied pour lancer le fonctionnement, puis passez en vitesse normale avec le bouton de marche avant une fois prêt.

5.4 Procédés et réglages

5.4.1 Généralités

Pour obtenir les informations les plus récentes sur les procédés impliquant des matériaux SEAL®, consultez www.sealgraphics.com.

5.4.2 Prérevêtement des panneaux

Ce procédé permet de revêtir des planches (substrats) d'un film de montage sensible à la pression sur lequel des images seront montées. Il peut également être utilisé pour créer une planche de transport (traîneau). Dans ce cas, il convient d'utiliser un film adhésif double-face doté d'un liner.

Remarque – Le film de montage est normalement doté d'un liner. Placez le film dans la partie supérieure et amorcez-le comme s'il n'avait pas de liner (cf. 5.3.2).

1. Placez le rouleau de film de montage sur le mandrin de la position de déroulement supérieure.
2. Retirez le guide d'image.
3. Levez le rouleau supérieur en position complètement ouverte.
4. Tirez le film à travers la ligne de contact et fixez-le à la table de sortie.
5. Insérez un panneau d'amorce dans la ligne de contact ; le matériau, l'épaisseur et la largeur doivent être identiques à la largeur des panneaux à traiter.

6. Abaissez le rouleau supérieur jusqu'à ce qu'il touche le panneau d'amorce, puis continuez jusqu'à ce que l'amorce ne puisse plus être bougée latéralement à la main.
7. Adossez le panneau à enduire du prérevêtement au panneau d'amorce, et utilisez l'interrupteur à pied pour lancer la machine. Lorsque tout fonctionne correctement, il est possible de passer en marche avant à l'aide du bouton correspondant.

Remarque – Lorsque plusieurs panneaux doivent subir le même traitement, adossez-les de la même manière sans laisser d'espace.

8. Au moyen d'un cutter, coupez les panneaux afin de les dégager lorsqu'ils sortent de la ligne de contact, à l'arrière de la machine.
9. Terminez avec un panneau d'amorce, et introduisez-le afin de faire sortir le panneau précédent de la ligne de contact.

! MISE EN GARDE

Ne coupez pas le film sur les rouleaux ou près de ces derniers. Ceci risquerait d'endommager leur revêtement en silicone et annulerait la garantie.

10. Une fois terminé, retirez le panneau d'amorce en utilisant la marche arrière.
11. Coupez le film au moyen d'un cutter.

Le planche dispose désormais d'un revêtement adhésif et est prête pour le montage d'une image. Reportez-vous à la section 5.4.3 pour le montage des images.

5.4.3 Montage d'images ou de décalques

Pour cette opération, aucun film n'est chargé sur la machine.

- Lors du montage d'images sur une planche revêtue au préalable (B), l'adhésif se trouve du côté montage.
- Lors du montage de décalques (A), l'adhésif se trouve au dos des images.

Le procédé de montage est identique dans les deux cas.

1. Retirez le mandrin de déroulement de sa position avant supérieure.
2. Retirez le guide d'image.
3. Réglez la ligne de contact (cf. section 4.4).
4. Placez la planche sur la table d'introduction.
5. Placez l'image sur la planche (côté image vers le haut). Retournez l'image sur le côté de la machine (1).
6. Retournez environ 25 mm (1 po) de liner (2) sur le côté de la machine et pliez-le uniformément de l'intérieur vers l'extérieur.

La qualité finale dépend de l'application du bord d'amorce de l'image sur la planche.

7. Appliquez l'image (3) sur la planche (C).
8. Insérez le bord avec l'image collé dessus dans la ligne de contact (D).
9. Placez délicatement l'extrémité lâche (4) de l'image sur le rouleau supérieur.
10. Utilisez l'interrupteur à pied pour lancer/arrêter en mode lent, de manière à garder les mains libres.

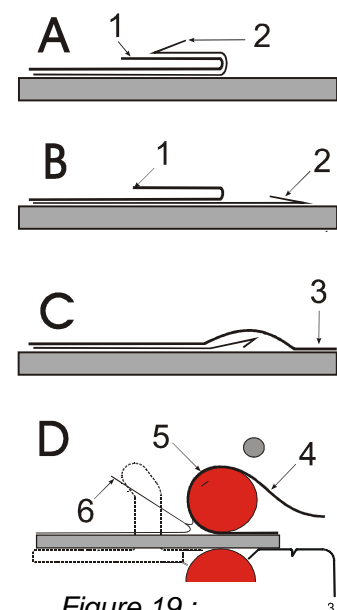


Figure 19 :
Montage d'images
ou de décalques



AVERTISSEMENT

N'APPROCHEZ PAS LES DOIGTS DE LA LIGNE DE CONTACT. LE DISPOSITIF DE SÉCURITÉ À CELLULES PHOTO-ÉLECTRIQUES NE FONCTIONNE PAS LORS DE L'UTILISATION DE L'INTERRUPTEUR À PIED EN MODE LENT.

11. De la main gauche, retirez le liner (6) de l'image ou de la planche tandis qu'elle est lentement introduite dans la ligne de contact sans marquer d'arrêt.

Remarque – Le retrait complet du liner expose l'adhésif aux saletés et à des poussières qui se retrouveront prisonnières sous l'image.

12. De la main droite, maintenez l'image à plat contre le rouleau supérieur (5) afin qu'elle ne se plisse pas.



Pour obtenir des résultats optimaux, ne marquez pas d'arrêt pendant l'introduction de l'image.

5.4.4 Surlamination

Lorsqu'une image est montée sur un panneau, il est possible d'appliquer un laminé de protection. Ce procédé est identique à celui utilisé pour appliquer le prérevêtement sur la planche (section 5.4.2). Un film de lamination sensible à la pression peut être employé pour la surlamination.

Remarque – SEAL® conseil de créer des décalques (cf. section 5.4.6), car cela permet une meilleure protection de l'image à monter.

5.4.5 Lamination simple face

Les images peuvent être laminées sur une seule face, avec ou sans planche de transport (traîneau). Ce laminé doit être un film sensible à la pression, avec ou sans liner.

L'inconvénient de la lamination simple face est le dépôt de résidus adhésifs sur les rouleaux là où il n'y a pas d'image.

Pour éviter ce problème, il est possible d'utiliser un liner ou des planches de transport. Ou alors l'image doit être plus grande que le laminé et des chutes de papier doivent être dans la ligne de contact pour lancer et terminer l'opération.

Utilisation du liner (recommandée)

- Utilisez un rouleau de liner dans la partie inférieure.
- Amorcez les parties inférieure et supérieure de la machine comme indiqué ci-dessus (section 5.3.2).

Lorsque les images sont coupées de l'ensemble produit, le liner se sépare automatiquement de l'image.

Utilisation de planches de transport (traîneaux)

- Amorcez la partie supérieure de la machine comme indiqué ci-dessus (section 5.3.2).
- Placez l'image sur une planche de transport, côté image vers le haut, et suivez la procédure de prérevêtement d'une planche (section 5.4.2).

5.4.6 Décalques

Pour les décalques, un laminé est placé sur l'image et un adhésif est placé à l'arrière.

1. Chargez et amorcez les films de lamination dans les parties inférieure et supérieure, comme indiqué à la section 5.3.3.
2. Introduisez les images dans la ligne de contact, en laissant un espace entre chacune.
3. Coupez l'ensemble produit avec un cutter, lorsque les images sont loin des rouleaux.

Le décalque peut être ensuite monté sur un panneau ou un autre substrat.

5.5 Déchargement

Procédez comme indiqué ci-dessous pour décharger la machine.

1. Coupez l'ensemble produit après la dernière image (ou le dernier panneau avant le panneau d'amorce).
2. Avec un cutter, coupez les deux films 25 mm (1 po) au-dessus de la surface du rouleau.
3. Ouvrez la ligne de contact et retirez les films (et le panneau d'amorce) des rouleaux à l'arrière.

Procédez comme indiqué ci-dessous pour retirer un rouleau d'un mandrin.

4. Sortez le mandrin antidérapant (cf. 5.2.1).
5. Retirez le rouleau du mandrin.

6 NETTOYAGE/MAINTENANCE

La machine doit être nettoyée régulièrement. La poussière et les saletés auront des effets délétères sur la lamination.



MISE EN GARDE

N'utilisez pas de produits abrasifs pour nettoyer la machine. Ceci risquerait d'endommager les surfaces peintes ou le silicone recouvrant les rouleaux.

Utilisez un chiffon humide pour le nettoyage.



MISE EN GARDE

Assurez-vous que l'eau ne s'infiltre pas dans les boîtiers. Les circuits électriques pourraient être endommagés lors de la mise sous tension.

Nettoyez l'extérieur de la machine avec un chiffon humide selon les besoins. Le cas échéant, utilisez une solution de nettoyage domestique pour ôter les tâches difficiles.

Nettoyez les mandrins et les cordons en caoutchouc selon les besoins.

6.1 Nettoyage des rouleaux revêtus de silicone

Les rouleaux doivent être nettoyés régulièrement pour éviter l'accumulation de résidus. Cela peut finir par les endommager.

Utilisez un chiffon non pelucheux humide pour retirer la poussière et toute trace de saleté.

Pour les tâches difficiles, employez de l'alcool isopropylique et un chiffon non pelucheux propre.

Ne verser pas l'alcool isopropylique directement sur la machine.



AVERTISSEMENT

L'ALCOOL ISOPROPYLIQUE EST HAUTEMENT INFLAMMABLE. SON POINT D'ÉCLAIR EST DE 11 °C (51,8 °F), ET SA TEMPÉRATURE D'AUTO-INFLAMMATION EST DE 400 °C (752 °F).

6.2 Maintenance préventive

Les machines SEAL® sont conçues de façon à nécessiter peu de maintenance (préventive) en plus du nettoyage.

Il convient de procéder aux vérifications suivantes :

- mandrins antidérapants avec cordons de blocage.

6.2.1 Mandrins antidérapants

Vérifiez le mécanisme antidérapage de chaque mandrin.

- La distance (d) entre le cordon en caoutchouc et le bord plat doit être de $8 \pm 2,5$ mm au minimum.

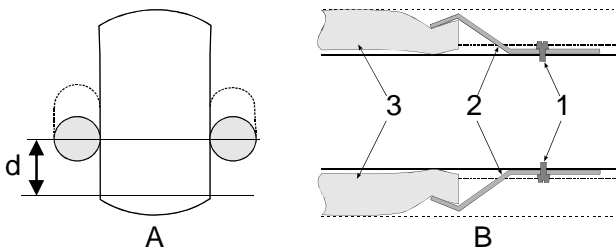


Figure 20 : Mandrin antidérapant

Dans le cas contraire, procédez comme indiqué ci-dessous :

- desserrez le dispositif de serrage (2) avec la vis (1) jusqu'à ce que le cordon soit libre d'un côté ;
- raccourcissez le cordon en coupant environ 10 mm (0,4 po) ;
- remplacez l'extrémité du cordon sous le dispositif de fixation (2) ;
- serrez ce dernier en tournant la vis (1).

7 DÉPANNAGE

Liste des problèmes courants et des solutions possibles à apporter par l'utilisateur

Problème	Cause	Solution
La DEL d'alimentation ne s'allume pas lorsque la machine est mise sous tension.	Absence d'alimentation électrique.	Vérifiez si le câble d'alimentation est bien branché sur la prise murale. Vérifier le fusible d'alimentation près de l'entrée d'alimentation.
à la fois vers l'avant et marche arrière LED clignotent	La tension de l'alimentation du moteur est trop basse ou trop élevée	Puissance de réinitialisation. Appelez votre technicien de service.
La DEL de marche avant ou arrière clignote.	Le moteur d'entraînement est surchargé.	Arrêtez-la, puis redémarrez-la. Puissance de réinitialisation. Essayez de diminuer la tension du film.

Pour toute assistance technique, contactez votre représentant de service après-vente (cf. 8.2).

7.1 Résolution des problèmes

Pendant le fonctionnement de la machine, des plis peuvent se former sur l'image (1) sur la table d'introduction (2) et dans l'ensemble obtenu (4) sur la table de sortie.

Les figures ci-dessous illustrent des exemples où le problème provient des rouleaux principaux (3) et offrent une solution.

Attendez quelques mètres de production pour observer les résultats.

Pour garantir des résultats optimaux, travaillez toujours au centre de la machine.

Pression excessive

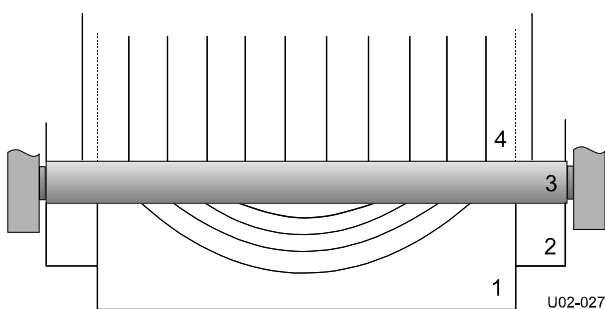


Figure 21 : Plis dus à une pression excessive

- Contactez votre représentant et demandez une assistance technique.

Pression trop faible

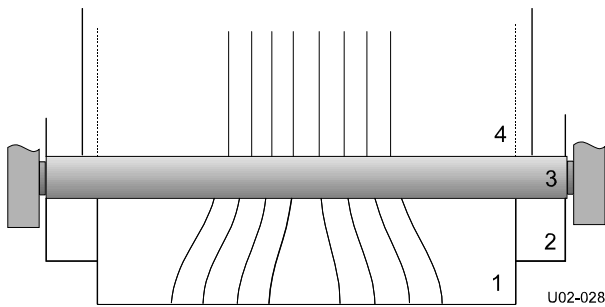


Figure 22 : Plis dus à une pression faible

- Contactez votre représentant et demandez une assistance technique.

Tension de déroulement trop faible

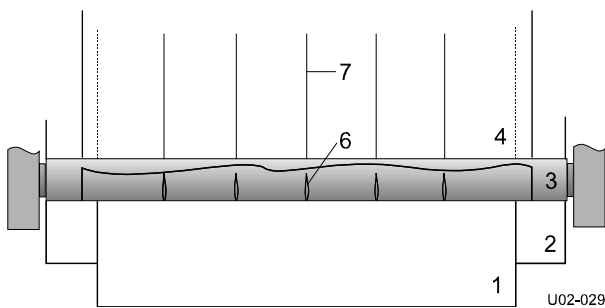


Figure 23 : Plis dus à une tension de déroulement trop faible

- Augmentez la tension de déroulement jusqu'à la disparition des plis (6) du film sur le rouleau. Les lignes (7) visibles à la sortie disparaîtront également.

Défaut d'alignement de rouleau

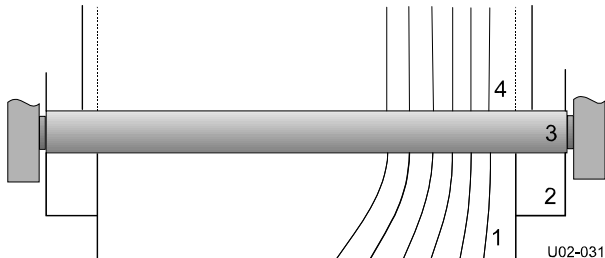


Figure 24 : Plis dus à un mauvais alignement de rouleau

Les plis n'apparaissent que sur un côté (gauche ou droit).

- Contactez votre représentant et demandez une assistance technique.


7.2 Assistance technique

Afin d'obtenir une assistance technique, contactez votre représentant ou consultez www.sealgraphics.com pour de plus amples informations. Soyez prêt à fournir une description claire du problème avant de contacter l'assistance technique.

Conservez le type et le numéro de série de votre machine à portée de main. Ces informations se trouvent sur la plaque signalétique, située à l'arrière du boîtier droit de la machine.

8 PROCESS CONTROL SHEET

Note: We recommend that you make a photocopy of this page. With each successfully run application, record the process and settings and a diagram of the webbing procedure. Keep the record so the application can be repeated at a later date.

 If a standard image is made available for each new process then sales materials and samples can be developed for reference.

LAMINATOR SETTINGS

Media: _____

 Process: _____
 Application Use: _____
 Upper Unwind Shaft: _____
 Lower Unwind Shaft: _____
 Wind-up Tube: _____
 Motor Speed Setting: _____

WEBBING SETTINGS

Web Tension Upper Unwind Shaft:
 Light / Med. / Heavy _____
 Web Tension Lower Unwind Shaft:
 Light / Med. / Heavy _____
 Nip Height: _____

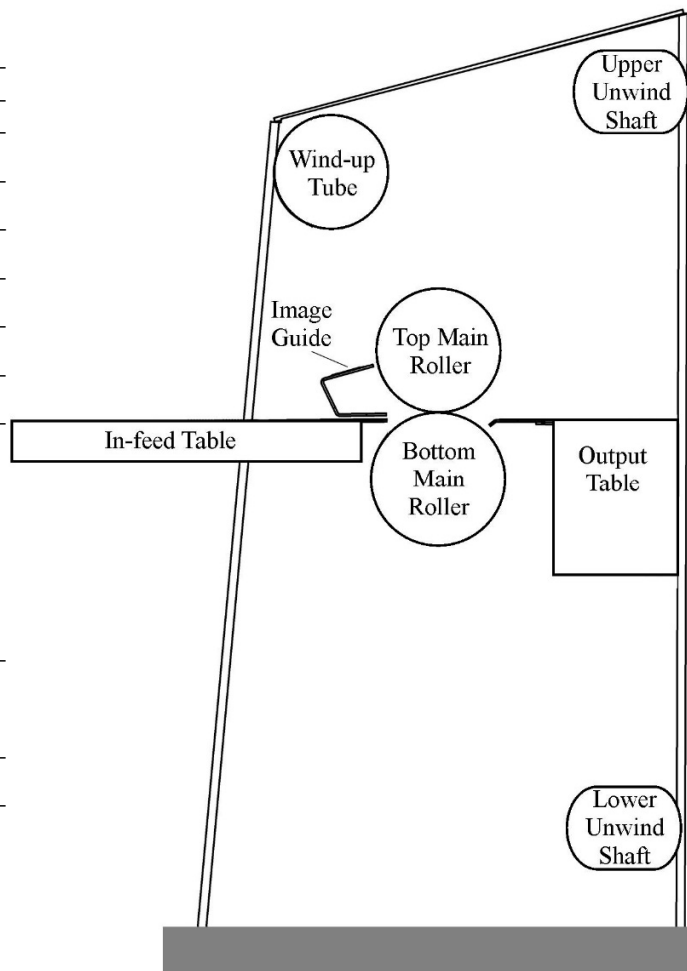


Figure 25: Blank Webbing Diagram

9 GLOSSAIRE

Décalque

Une image laminée sur le dessus (par chaleur ou pression), avec un dos adhésif.

Introduction

Le côté du laminateur où les images sont introduites.

Laminés sensibles à la pression

Laminés dotés d'un adhésif qui forme un lien entre le film de protection et la surface de l'image en cours de lamination lors de l'application d'une pression. Utilisés principalement pour les applications de montage rapide et recommandés pour les impressions photographiques et thermiques sensibles à la chaleur.

Ligne de contact

Endroit où se rencontrent les rouleaux inférieur et supérieur.

Liner

Support d'un laminé sensible à la pression ou d'un adhésif de montage qui empêche le film de coller à lui-même. Une fois le liner retiré, la couche adhésive est exposée.

Mil

Unité d'épaisseur du laminé équivalant à un millième de pouce.

Montage

Application d'une image sur un type de substrat ou de carton-mousse.

Panneau d'amorce

Une planche de carton-mousse d'environ 100 x 10 cm (40 x 4 po) permettant de pousser les films dans la ligne de contact. S'emploie également pour le montage ou le revêtement préalable des planches afin d'éviter que l'adhésif ne se fixe sur les rouleaux et les bords du film.

Planche de transport (traîneau)

Planche lisse, non déformable (Masonite de préférence), revêtue d'un adhésif de montage avec liner pour fournir la surface non adhésive nécessaire. Il est également possible d'utiliser une planche de carton-mousse, mais elle n'aura pas la longévité d'une planche Masonite. Les planches de transport s'emploient pour laminer uniquement un côté d'une image.

Prérevêtement

Application d'un revêtement sur un substrat avec un film de montage adhésif sur lequel une image peut être montée.

Presse

Quantité de force à distance appliquée sur tout ce qui passe entre les rouleaux inférieur et supérieur.

Sortie

Côté du laminateur où sortent les images terminées.

Substrat

Matériau sur lequel une image est placée ou montée.

10 GARANTIE LIMITÉE

SEAL® garantit à l'acheteur d'origine que tout lamineur SEAL® neuf faisant état d'un défaut de matériau ou de fabrication au cours de la période de garantie applicable sera réparé ou, à son gré, remplacé gratuitement. Les rouleaux principaux sont uniquement garantis en cas de défauts de fabrication ; ils sont sujet à l'usure en fonction de l'usage de la machine. Cette garantie ne s'applique pas s'il est déterminé à un moment ou à un autre que l'équipement n'a pas été utilisé aux fins prévues.

« L'acheteur d'origine » est la personne qui a acheté en premier le produit couvert par cette garantie dans un but autre que la revente. Cette garantie s'applique uniquement à l'acheteur d'origine, à qui elle confère un pouvoir exécutoire, et seulement pendant la période durant laquelle le produit demeure en sa possession (pendant la durée de garantie applicable).

La garantie imprimée dans ce manuel n'est pas obligatoire et peut ne pas s'appliquer à votre pays. Pour plus de détails concernant la garantie, veuillez contacter votre distributeur ou consulter www.sealgraphics.com.

ATTENTION !

TOUS CHANGEMENTS ET TOUTES MODIFICATIONS APPORTÉS À CET ÉQUIPEMENT ET QUI N'ONT PAS ÉTÉ EXPRESSÉMENT APPROUVÉS PAR LE FABRICANT PEUVENT ANNULER LA CAPACITÉ DE L'UTILISATEUR À UTILISER LEDIT ÉQUIPEMENT.

ATTENTION !

TOUS CHANGEMENTS ET TOUTES MODIFICATIONS NON AUTORISÉS APPORTÉS À CET ÉQUIPEMENT SANS NOTRE AUTORISATION ÉCRITE PRÉALABLE ANNULERONT LA GARANTIE DE L'UTILISATEUR ET TRANSFÉRERONT À CE DERNIER LES RESPONSABILITÉS EN MATIÈRE DE SANTÉ ET DE SÉCURITÉ.

Remarque

Cet équipement a réussi le test des limites des dispositifs numériques de classe A, en vertu de la partie 15 des réglementations de la FCC. Ces limites sont conçues de manière à garantir une protection raisonnable contre les interférences nuisibles lorsque l'équipement est utilisé dans un environnement commercial. Cet équipement crée, utilise et peut faire rayonner de l'énergie radiofréquence. S'il n'est pas installé et utilisé conformément au manuel de l'utilisateur, il risque de créer des interférences nuisibles pour les communications radio. Le fonctionnement de cet équipement dans une zone résidentielle risque de provoquer des interférences nuisibles, auquel cas il incombera à l'utilisateur de corriger le problèmes à ses frais.

11 INDEX

C

Caractéristiques techniques	33
Conditions ambiantes	35

D

Déclaration de responsabilité	30
Dimensions.....	33
dispositif de verrouillage	44

E

Exigences relatives à l'espace de travail	35
---	----

G

Glossaire	56
Guide d'image	42

L

Ligne de contact.....	33
-----------------------	----

P

Poids	33
Pression de rouleau	33
Procédés d'application	43

R

rouleau fou d'enroulement.....	42
--------------------------------	----

S

Symboles normalisés	30
---------------------------	----

V

Vitesse	33
Vitesse max.....	33

Einleitung

Wir bedanken uns bei Ihnen für den Kauf eines SEAL® 54/65 EL, der so konstruiert ist, dass er Ihnen viele Jahre verlässlich Dienste leistet. Wenn Sie die Richtlinien für die Instandhaltung und den Einsatz in diesem Benutzerhandbuch befolgen, können Sie sich auf viele Jahre störungsfreie Nutzung Ihres Gerätes verlassen.

Ihr Laminator 54/65 EL erfüllt die CE Richtlinien (2004/108/EC und 2006/95/EEC) und ist RoHS-konform. Der Laminator verfügt auch über das „ETL listed“-Sicherheitszeichen für die USA (UL 60950-1) und Canada (CSA C22.2 60950-1).

Verwendungszweck.

Der Laminator 54/65 EL darf nur mit Verbrauchsmaterial der Marke SEAL® verwendet werden. Wenn Sie ihn mit diesen Produkten verwenden, sind Sie in der Lage Materialien aufzuziehen und zu laminieren. Ihre Maschine wurde mit keinen anderen Materialien getestet. Es wird nicht empfohlen, Verbrauchsmaterialien anderer Hersteller als SEAL® zu benutzen.



WARNUNG:

DIESE MASCHINE IST NUR FÜR DAS AUFZIEHEN UND LAMINIEREN KONSTRUIERT. WIRD SIE FÜR ANDERE VERWENDUNGSZWECKE EINGESETZT, SO KANN DIES DIE MASCHINE BESCHÄDIGEN ODER DER BENUTZER VERLETZT WERDEN.

Haftung

Die in diesem Handbuch zur Verfügung gestellten Unterlagen basieren auf den neuesten verfügbaren Informationen. Diese Informationen können in Zukunft abgeändert werden. Wir behalten uns das Recht vor, Änderungen der Konstruktion oder der Bauweise unserer Produkte vorzunehmen, ohne damit die Verantwortung zu übernehmen, früher gelieferte Versionen der Produkte ebenfalls auf diesen Stand zu bringen.

Standardsymbole



So markierte Abschnitte bieten eine Idee/einen Tipp oder andere Informationen zum effizienten Einsatz dieses Gerätes.



WARNUNG:

ACHTEN SIE BITTE BESONDERS AUF DIE SO HERVORGEHOBENEN ABSÄTZE. DIESE INFORMATIONEN SIND WESENTLICH, UM VERLETZUNGEN VON PERSONEN UND / ODER BESCHÄDIGUNGEN DES GERÄTS ZU VERMEIDEN. WENN SIE DIESE INFORMATIONEN NICHT BEFOLGEN, KANN DIES ZUM ERLÖSCHEN DER GARANTIE FÜHREN. DIE VERANTWORTUNG FÜR DIE GESUNDHEIT UND DIE SICHERHEIT GEHT DANN AUF DEN ANWENDER ÜBER.

Inhaltsverzeichnis

Einleitung	59
1 Technische Daten	62
1.1 Technische Daten	62
1.2 Optionen	63
2 Sicherheit / Wichtige Sicherheitshinweise	63
2.1 Auf dem Gerät verwendete Sicherheitssymbole	63
2.2 Not-Aus-Knöpfe	64
3 Auspacken und Aufstellung	64
3.1 Umgebungsbedingungen	64
3.2 Umgebung	64
3.3 Stromzufuhr	64
3.4 Anforderungen an den Arbeitsplatz	64
3.5 Auspacken des Laminators	65
3.6 Aufstellen des Laminators	66
3.7 Transport	67
4 Gerätebeschreibung	68
4.1 Bedienungsfeld	69
4.2 Motorsteuerung	69
4.2.1 Kriechgang	70
4.2.2 Änderung der Drehrichtung der Maschine	70
4.2.3 Abrollbremsen	71
4.2.4 Einstellungen des Walzenspaltes	71
4.2.5 Lagerung der Bildschiene	71
5 Verarbeitungsabläufe	72
5.1 Prinzipien eines Arbeitsvorganges	72
5.2 Beschicken der Maschine	73
5.2.1 Entfernen einer Abrollwelle	73
5.2.2 Welle mit Folienrollen beladen	73
5.2.3 Das Gerät mit der Abrollwelle beladen	74
5.3 Einspannen der Folien	74
5.3.1 Spannung voreinstellen	74
5.3.2 Einspannen bei einseitigem Prozess	75

5.3.3	Einspannen bei doppelseitigem Prozess	76
5.4	Ablauf und Einstellungen	77
5.4.1	Allgemeines	77
5.4.2	Vorbeschichtung	77
5.4.3	Das Aufziehen von Bildern oder selbstklebenden Bildern	78
5.4.4	Überlaminierung	79
5.4.5	Einseitige Laminierung	79
5.4.6	Herstellung von selbstklebenden Bildern	80
5.5	Ausladen	80
6	Säubern/Wartung	80
6.1	Alle silikonbeschichteten Walzen reinigen	81
6.2	Vorbeugende Wartung	81
6.2.1	Autogrip Wellen	81
7	Fehlerbehebung	82
7.1	Fehlerbehebung	82
7.2	Technischer Kundendienst	83
8	Process Control Sheet	84
9	Glossar	85
10	Eingeschränkte Garantie	86
11	Index	87

1 TECHNISCHE DATEN

1.1 Technische Daten

	U. S.-Maße	Metrische Maße
Maximale Arbeitsbreite		
54 EL	maximal 54"	maximal 1400 mm
65 EL	maximal 65"	maximal 1651 mm
Maximale Geschwindigkeit	14 Fuß/min	4,25 m/min
Abmessungen (H x B x T)		
54 EL	48" x 71.3" x 24"	1220 x 1811 x 610 mm
65 EL	48" x 82.3" x 24"	1220 x 2090 x 610 mm
Transportmaße (H x B x T)		
54 EL	58" x 74" x 29"	1473 x 1880 x 737 mm
65 EL	61" x 88" x 30"	1549 x 2235 x 762 mm
Gewicht		
Nettogewicht:		
54 EL	325 lbs	147 kg
65 EL	430 lbs	195 kg
Transportgewicht		
54 EL	434 lbs	197 kg
65 EL	544 lbs	247 kg
Maximaler Rollendurchmesser		
Abrollen	8"	200 mm
Aufnahme	6"	150 mm
Höchstgewicht der Rolle		
Abrollen	85 lbs	38,5 kg
Aufnahme	35 lbs	15,9 kg
Walzenöffnung (Min. – Max.)	0 – 1"	0 – 25 mm
Walzendruck	3 lb/in	0,53 N/mm.
Elektrische Daten		
USA/Kanada	115 VAC, 50/60 Hz, 1 A, 115 W - NEMA 5-15 Stecker	
Europa	230 VAC, 50/60 Hz, 0,5 A, 115 W - BS1363 Stecker oder kontinentaleuropäischer Stecker (Schuko)	
Walzenaufbau	Zwei silikonbeschichtete Stahlwalzen.	

* Die Spezifikationen können ohne Vorankündigung abgeändert werden.

1.2 Optionen

Die 54/65 EL "A" Version hat mehrere Optionen zur Verfügung. Die Optionen sind:

Artikel	Beschreibung	Teilenummer
1	54 EL in Zuführung Fach Option	5402A
2	65 EL in Zuführung Fach Option	6502A
3	Abgleich Füße Option	5406A
4	54 EL-1 die drucken anleiten	5411A
5	65 EL-1 die drucken anleiten	6511A

Hinweis: Einige Optionen sind mit Ihrem Modell einbezogen.

2 SICHERHEIT / WICHTIGE SICHERHEITSHINWEISE

2.1 Auf dem Gerät verwendete Sicherheitssymbole



SICH DREHENDE TEILE

MECHANISCHE GEFAHR. WENN SIE IN DER NÄHE DER FREILIEGENDEN WALZEN NICHT VORSICHTIG SIND, KANN ES ZU VERLETZUNGEN KOMMEN. ACHTEN SIE BESONDERS DARAUF, DASS SICH GEGENSTÄNDE WIE LOSE KLEIDUNG, LANGES HAAR ODER SCHMUCK NICHT IN DEN DREHENDEN TEILEN VERFANGEN KÖNNEN.



ESD-WARNUNG

ACHTUNG IN DER NÄHE DER WALZEN. MÖGLICHKEIT EINES STROMSCHLAGES DURCH ESD BEI EINIGEN MATERIALIEN. ACHTEN SIE BITTE DARAUF, DASS ES NICHT ZU ESD-AUFBAU KOMMT. SIE VERMEIDEN DIES, INDEM DIE MASCHINE ORDNUNGSGEMÄSS GEERDET WIRD, DIE RICHTIGE RAUMFEUCHTIGKEIT AUFRECHT ERHALTEN WIRD UND ANDERE ANTI-STATISCHE MASSNAHMEN ERGRIFFEN WERDEN.

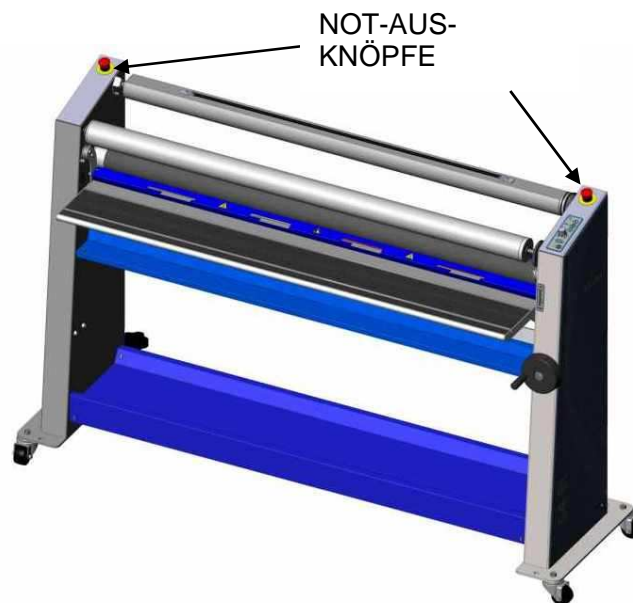


Abbildung 1

2.2 Not-Aus-Knöpfe

Es gibt zwei Knöpfe, die sich links und rechts auf der Oberseite des Gehäuses befinden. Diese Knöpfe sind rot und mit einem gelben Kreis unterlegt. Die Not-Aus-Knöpfe stoppen die Rotation der Walzen und sollten nur im Notfall betätigt werden. Sobald sie gedrückt wurden, rasten diese Knöpfe ein. Um sie zurückzusetzen, bevor die Maschine wieder benutzt werden kann, müssen sie gedreht werden.

3 AUSPACKEN UND AUFSTELLUNG

Bevor Sie den Laminator einsetzen, lesen Sie bitte das gesamte Handbuch sorgfältig durch.

3.1 Umgebungsbedingungen

Die folgenden Umgebungsbedingungen sind für den optimalen Betrieb des Laminators ideal.

Umgebungstemperatur

Die beste Temperatur für den 54/65 EL ist zwischen 16 °C und 35 °C (50 °F und 95 °F).

Den Laminator keinem direkten Sonnenlicht aussetzen, da dies die Outputqualität beeinträchtigen kann.

Relative Luftfeuchtigkeit

Für die besten Ergebnisse, sollte die relative Luftfeuchtigkeit der Umgebung des 54/65 EL zwischen 50 % und 70 % liegen.

Wasser und Feuchtigkeit

Falls der Laminator in einem feuchten Raum oder in der Nähe von Wasser aufgestellt wird, muss die Stromzufuhr gemäß den Standards für den Bereich installiert sein.

3.2 Umgebung

Die besten Endprodukte werden erzielt, wenn der Laminator in einer möglichst sauberen und staubfreien Umgebung aufgestellt wird. Die Materialien die mit diesem Laminator eingesetzt werden, können über eine elektrostatische Ladung verfügen die Staub anzieht. Dies kann das Ergebnis negativ beeinträchtigen.

3.3 Stromzufuhr

Schließen Sie das Gerät nur in Übereinstimmung mit den Angaben, des auf dem hinten am Laminator angebrachten Typenschildes, an. Weitere Informationen finden Sie auch unter „Technische Daten“.

3.4 Anforderungen an den Arbeitsplatz

- Dieses Gerät sollte nicht in der Nähe von Wärmequellen, wie Warmluftschächten oder Herdplatten aufgestellt werden.
- Die Aufstellung oder Positionierung des Laminators darf seine richtige Durchlüftung nicht behindern.
- Es sollte um den Laminator ausreichend Platz vorhanden sein um Bilder einzulegen, diese herauszunehmen, sowie aufgezugene und/oder laminierte Bilder zurechtzuschneiden.
- Der in der Luft befindliche Staub darf die Menge nicht überschreiten, die typischerweise in der Raumluft von Büros/Computerräumen vorhanden ist.
- Der Arbeitsbereich sollte horizontal, eben und gut beleuchtet sein.

3.5 Auspacken des Laminators

1. Schneiden Sie die Bänder, die die Kiste auf der Palette halten, auseinander.
2. Zwei Personen sollten die Kiste vorsichtig und gerade über die Maschine ziehen (Siehe Abbildung 2).
3. Loses Verpackungsmaterial entfernen.
4. Entfernen Sie zwei Holzschrauben halten Rampe in platz.
5. Die Rampe und das Verpackungsmaterial um die Rampe entfernen.
6. Rampe wie in Abbildung 3 gezeigt positionieren.
7. Die 4 Haltebolzen entfernen.
8. Die zwei Stabilisierungsblöcke entfernen.
9. Mit zwei Leuten, vorsichtig die Maschine die Rampe hinunterschieben.
10. Das verbliebene Verpackungsmaterial entfernen und die Zufuhrwelle auspacken.
11. Die Maschine auf mögliche Beschädigungen untersuchen.

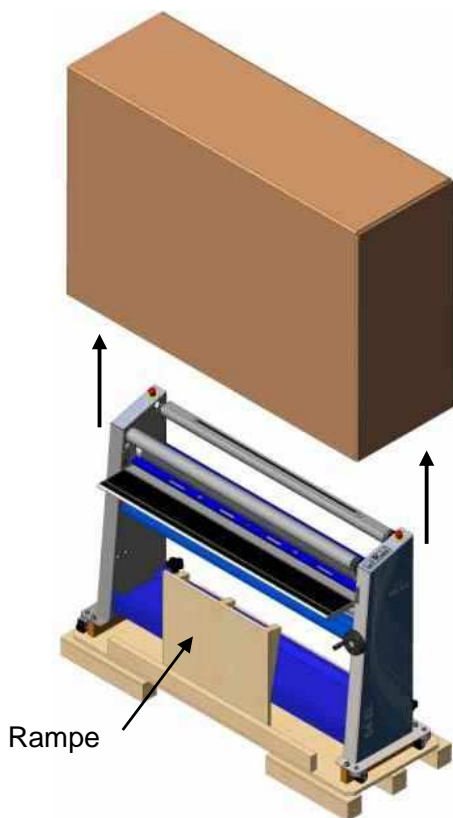


Abbildung 2

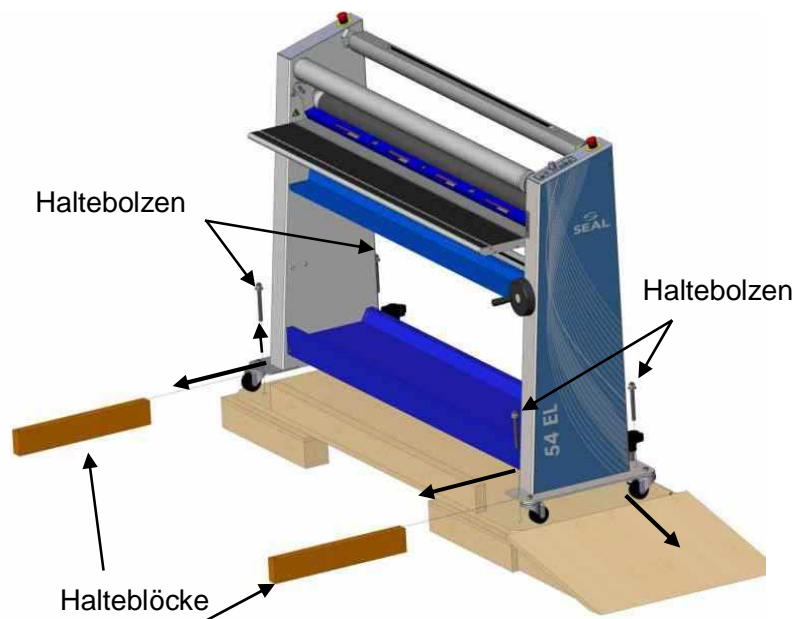
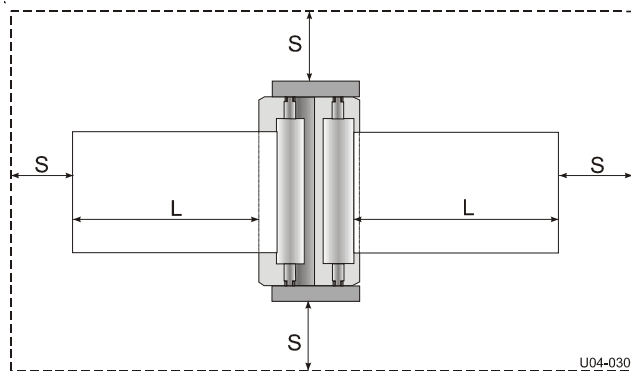


Abbildung 3

3.6 Aufstellen des Laminators

Das Gerät 54/65 EL kann nun an seinem endgültigen Standort aufgestellt werden. Die Stellfläche muss waagrecht und eben sein.

Der Laminator muss in der Nähe einer Steckdose installiert werden. Der Stecker und die Steckdose müssen leicht zugänglich sein. Achten Sie bitte darauf, dass der Stecker Ihres Laminators in eine geerdete Steckdose eingesteckt wird. Der Laminator sollte nur in solche Steckdosen eingesteckt werden, die sicher die Spannung und Stromstärke liefern, die auf dem Schild mit der Nennleistung angegeben sind.



Anmerkung:

Achten Sie darauf, dass die Maschine an ihrem endgültigen Standort über ausreichend Platz verfügt. Sie benötigen Platz zum Einlegen, Herausnehmen und Zurechtschneiden der Bilder. Abbildung 4:

L = Maximale Ablagelänge

S = Mindestgröße 60 cm. (24").

Abbildung 4: Arbeitsplatz

1. Stellen Sie die Maschine an den vorgesehenen Arbeitsplatz.
2. Befestigen Sie die Bildschiene so am Tisch, wie in Abbildung 5 gezeigt.
Hinweis: Bild Guide ist optional bei einigen Modellen.
3. Befestigen Sie die Zufuhrwelle an der ersten Druckfeder auf der rechten Seite; führen Sie dann die linke Seite in den Antrieb ein (Abbildung 5).
4. Stecken Sie das Netzkabel in eine geerdete Steckdose mit der richtigen Spannung und Leistung.

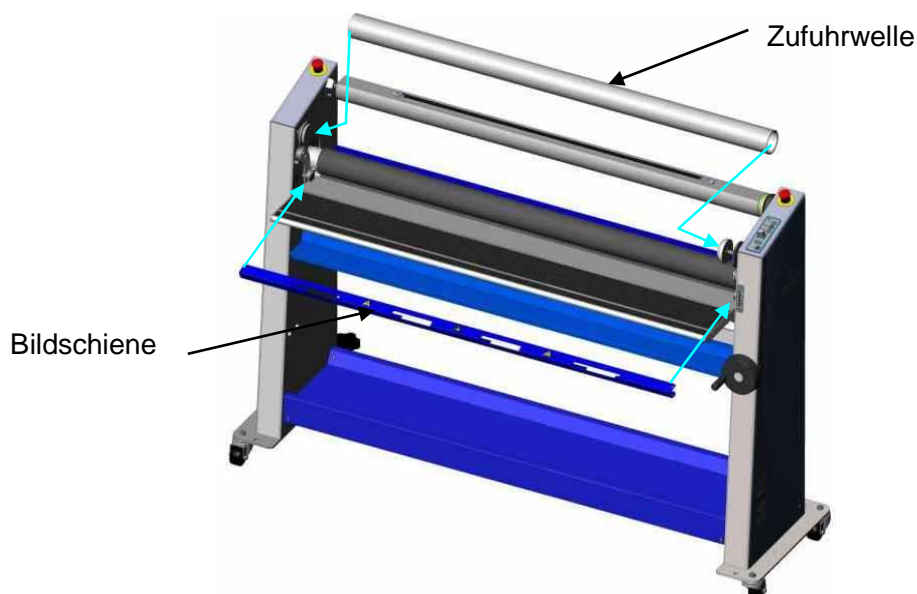


Abbildung 5

5. Verriegeln Maschine in platz per drücken mit Fuß auf den Verriegelungsmechanismus auf die Vorderräder (Siehe Abbildung 6).

Anmerkung: Ein unebener Boden kann die Laminierqualität beeinträchtigen. Im Falle eines unebenen Bodens, benachrichtigen Sie bitte den Kundendienst, der Ihnen Auskunft über Nivellierungsoptionen für das Gerät geben kann.



WARNUNG:

MASCHINE MUSS SEIN GESICHERT IN ORT VOR DER VERWENDUNG.

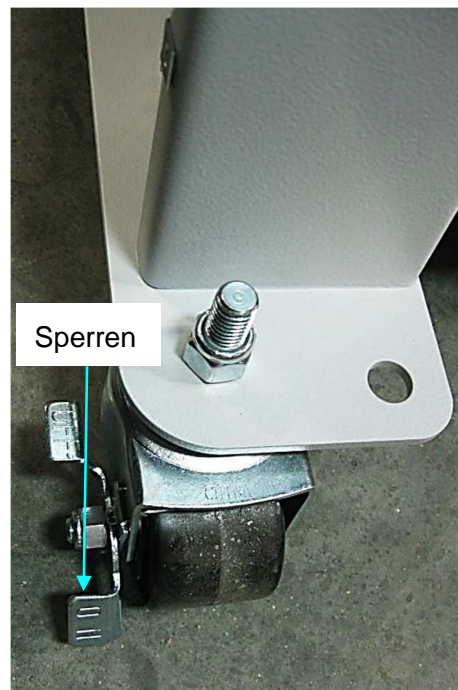


Abbildung 6

Feststellhebel



WARNUNG:

ACHTEN SIE DARAUF, DASS DAS STROMKABEL UND/ODER DAS VERLÄNGERUNGSKABEL NICHT IHREN WEG UM DAS GERÄT BLOCKIERT.

3.7 Transport

Auf glatten Oberflächen kann die Maschine mithilfe ihrer Rollen transportiert werden.



VORSICHT:

Entsperren die Räder vor dem Verschieben der Maschine.

Wenn die Maschine auf unebenen Oberflächen oder über lange Distanzen bewegt wird, sollten die Originalpalette und das Verpackungsmaterial benutzt werden, um sie mit einem Hubwagen oder Gabelstapler zu transportieren.

4 GERÄTEBESCHREIBUNG

Funktionen und Vorteile des 54/65 EL:

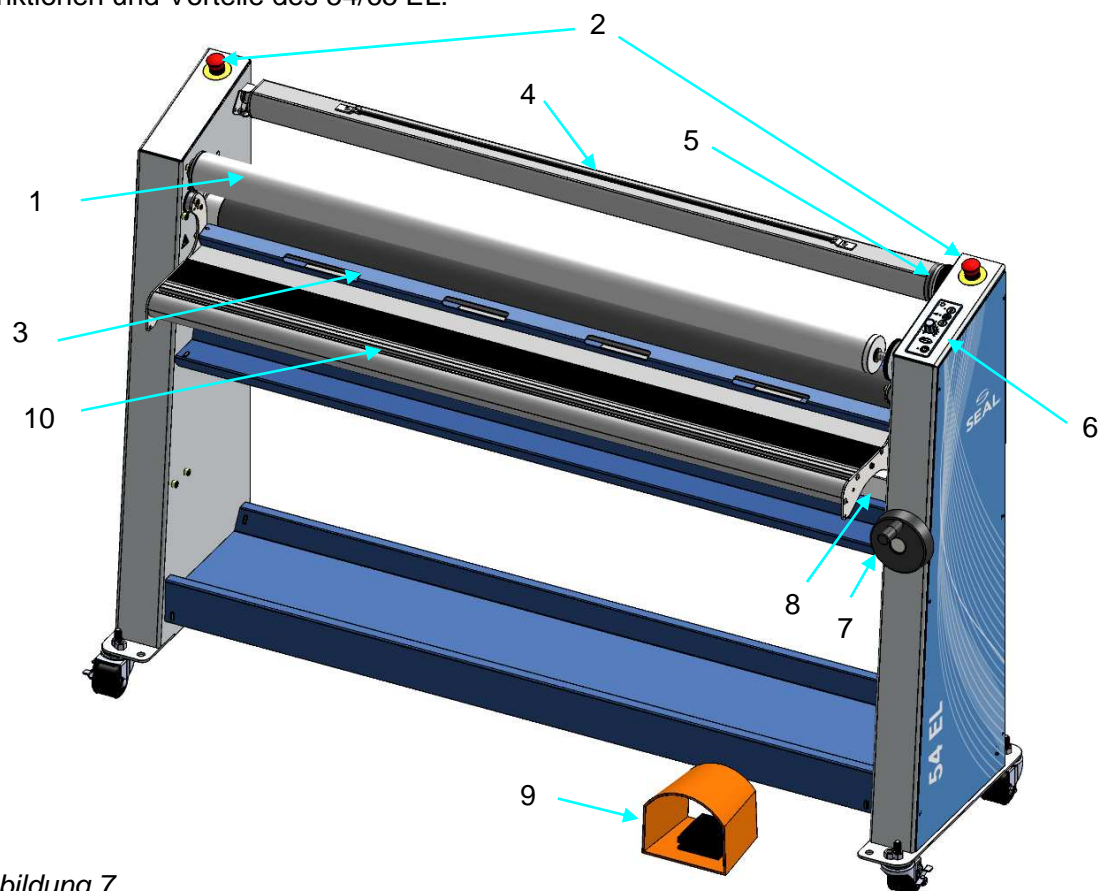
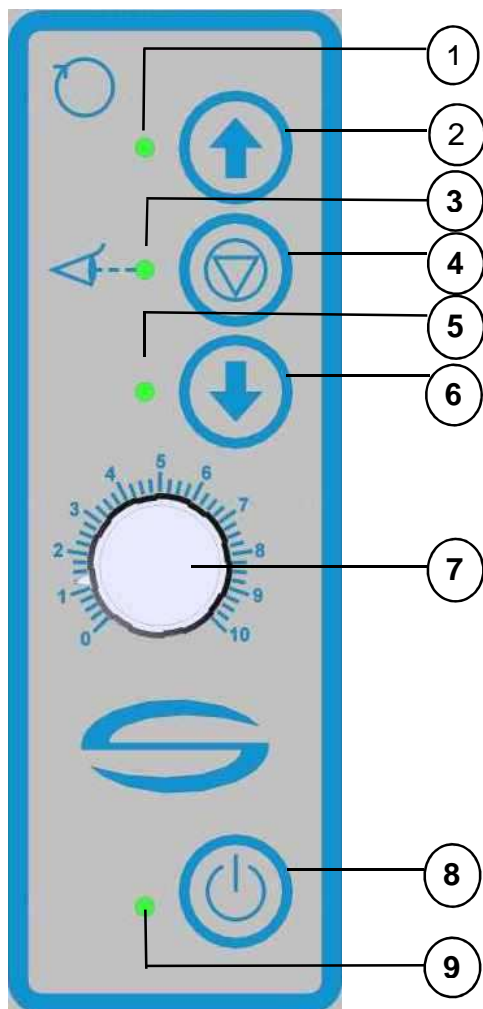


Abbildung 7

Maschinenteile		
1	Aufrollwalze	Aufrollwalze für das Trägerpapier.
2	Not-Aus-Knöpfe	Um das Gerät im Notfall anzuhalten
3	Bildschiene	Um Bilder zu starten (Optional bei einigen Modellen.)
4	Obere Abrollwelle	Diese Welle eignet sich für Materialien mit einem Kern der Größe 7,5 cm oder 3 Zoll.
5	Abrollbremse	Ein einfacher Mechanismus für die Einstellung der Abrollspannung
6	Bedienungsfeld	Steuert die Drehgeschwindigkeit der Rollen und die Standby-Funktion.
7	Manuelles Walzenspaltrad	Zur Einstellung der Walzenspalte.
8	Untere Abrollwelle	Diese Welle eignet sich für Materialien mit einem Kern der Größe 7,5 cm oder 3 Zoll.
9	Fußschalter	Zum Steuern des Kriechgangs
10	Einfahrtisch	Gerade Oberfläche, um zu bearbeitendes Material abzulegen

Die Nennleistung/das Typenschild befindet sich auf der Hinterseite der Maschine neben dem Stromeingang

4.1 Bedienungsfeld



1	Vorwärts LED	Leuchtet auf, wenn der Antrieb vorwärts läuft
2	Vorwärts-Knopf	Zum Vorwärtsantrieb Knopf drücken
3	LED optisches Sicherheitssystem	Leuchtet auf, wenn die Lichtschranke nicht blockiert ist. Blinkt, wenn Not-Aus-Taste gedrückt.
4	Stopp-Knopf	Zum Anhalten des Antriebs Knopf drücken
5	Rückwärts LED	Leuchtet auf, wenn der Antrieb rückwärts läuft
6	Rückwärts-Taste	Für den Rückwärtsantrieb die Taste drücken und gedrückt halten
7	Knopf für die Anpassung der Geschwindigkeit	Anpassung der Walzengeschwindigkeit
8	Standby-Knopf	Ein/Aus schalten (2 Sekunden drücken)
9	Ein-LED	Leuchtet, wenn die Maschine eingestellt ist

Abbildung 8

4.2 Motorsteuerung

Die Geschwindigkeit der Walzen kann kontinuierlich zwischen 0 und 4,25 m / min (0 und 14 Fuß / min) eingestellt werden. Durch Betätigung der ↑-Taste bewegen sich die Walzen nach vorn, durch Betätigung und Halten der ↓-Taste kehrt sich die Drehrichtung der Walzen um. Die Stopp-Taste hält die Bewegung der Rollen an. Die Geschwindigkeit kann nur dann eingestellt werden, wenn der Vorwärtsantrieb ohne Fußschalter eingestellt ist.



WARNUNG:

ACHTEN SIE DARAUF, DASS HÄNGENDE KLEIDUNGSSTÜCKE, LANGE HAARE, SCHMUCKSTÜCKE UND FINGER NICHT ZWISCHEN DEN WALZEN EINGEKLEMMT WERDEN.

4.2.1 Kriechgang

Die Maschine verfügt über einen Kriechgang, der durch Herunterdrücken des Fußschalters aktiviert wird. Durch fortgesetztes Herunterdrücken des Fußschalters, bleibt das Gerät im Kriechgang. Der Kriechgang muss gewählt werden, wenn sich der Einführtisch in der oberen Position befindet. Der Kriechgang wird empfohlen, wenn das Gerät mit Material beschickt wird, aber die Bildschiene entfernt wurde.

Die Geschwindigkeit kann eingestellt werden, wenn im langsam Modus ausgeführt. Die Geschwindigkeit kann bis auf Null eingestellt werden, aber es kann nicht eingestellt werden höher als die maximale erlaubt im langsam Betrieb. Die Position des Geschwindigkeit drehknopf werden ungefähr das gleiche wie im normalen Modus, den gleichen Geschwindigkeit zu produzieren.



WARNUNG:

IM KRIECHGANG, WIRD DIE MASCHINE NICHT ANGEHALTEN, WENN DIE LICHTSCHRANKE BLOCKIERT WIRD. IM KRIECHGANG IST EIN AKUSTISCHER WARNTON ZU HÖREN UND DIE GESCHWINDIGKEIT DER WALZEN WIRD VERLANGSAMT. DIE MASCHINE STOPPT, SOBALD DER FUSSSCHALTER NICHT MEHR BETÄTIGT WIRD.

Um ohne Unterbrechung vom Kriechmodus zum normalen Modus zu wechseln (um eine Stoppmarkierung zu verhindern):

- Während des Betriebs im Kriechmodus (halten Sie den Fußschalter weiterhin gedrückt), drücken und halten Sie die ↑ (Vorwärts)-Taste auf dem Bedienfeld.
- Lassen Sie dann den Fußschalter los. Der Laminator wird mit der voreingestellten Geschwindigkeit laufen.
- Lassen Sie die ↑ (Vorwärts)-Taste los.

Um vom normalen Modus ohne anzuhalten in den Kriechgang zu wechseln:

- Den Fußschalter betätigen
Hinweis: Die Maschine stoppt, sobald der Fußschalter nicht mehr betätigt wird.

4.2.2 Änderung der Drehrichtung der Maschine



WARNUNG:

VOM HINTEREN SEITENSPALT FERNHALTEN, WENN DAS GERÄT IM RÜCKWÄRTSGANG LÄUFT.

Um die Walzenrichtung umzukehren, die ↓-(Umkehr-) Taste drücken. Solange die Taste gedrückt wird, läuft die Maschine mit nur 1 m/min in der umgekehrten Richtung. Lassen Sie die Taste los, so hält die Maschine an.

Die Drehung der Walzen stoppt, wenn:

- Die Lichtschranke vor den hinteren Walzen blockiert wird.
Hinweis: Das geschieht NICHT, wenn der Fußschalter gedrückt wird (Kriechgang).
- Der Not-Aus-Knopf gedrückt wird.
- Der Fußschalter ganz kurz betätigt wird.
- Die Abrollspannung zu hoch eingestellt ist (der Motor wird elektronisch abgeschaltet und die Vorwärts-LED blinkt; die Stopp-Taste auf dem Bedienfeld zum Zurückstellen betätigen).
- Die Stopp-Taste auf dem Bedienfeld ist gedrückt.

4.2.3 Abrollbremsen

Die Abrollbremse anziehen, so dass zum Laminieren ausreichend Spannung besteht. Drehen des gerädelten Bremsrades entgegen dem Uhrzeigersinn erhöht die auf das Laminat angewandte Spannung. Drehen des gerädelten Bremsrades entgegen dem Uhrzeigersinn verringert die Spannung. Die bestmögliche Einstellung der Bremsspannung wird durch das verwendete Material bestimmt und ergibt sich aus den mit der Zeit gewonnenen Erfahrungswerten.

4.2.4 Einstellungen des Walzenspaltes

Wann immer Sie auf Karton oder ähnlichem Material aufziehen, ist es wichtig, dass die Walzen entsprechend eingestellt werden, damit die Spalte annähernd so hoch wie die Dicke des verwendeten Materials ist. Das dient dazu, alles, was zwischen den Walzen bewegt wird, dem richtigen Druck auszusetzen, um Schäden an dem Material zu vermeiden, das bezogen wird (und möglicherweise auch an den Walzen).

Drehen des manuellen Walzenspaltrades entgegen dem Uhrzeiger senkt die obere Walze ab, im Uhrzeigersinn wird die obere Walze angehoben.

Einstellung des Walzenspaltes:

Bestimmen Sie die Stärke des für das Aufziehen verwendeten Materials. Stellen Sie die Spalthöhe durch Drehen des manuellen Walzenspaltrades im Uhrzeigersinn vorab ein, bis die auf der Spalthöhenanzeige angezeigte Höhe über der Dicke des Kartons liegt.

Die Vorderkante des Materials per Hand in den Walzenspalt einlegen. Das manuelle Walzenspaltrad entgegen dem Uhrzeigersinn drehen, um die obere Walze zu senken bis sie das Material mit ausreichend Druck berührt und sich das Material nicht von Seite zu Seite bewegen kann. Mithilfe des Rückwärtsganges bei Bedarf das Material aus dem Walzenspalt entfernen.

Um Folien durchzuziehen, das Spaltrad entgegen dem Uhrzeigersinn drehen, bis der Walzenspalt vollständig geschlossen ist, dann fortfahren, bis sich das manuelle Spaltrad frei dreht.

4.2.5 Lagerung der Bildschiene

Wenn die Bildschiene nicht benötigt wird, kann sie auf der oberen Querverstrebung aufbewahrt werden, oder alternativ auf der unteren Querverstrebung. Hinweis: Bild Guide ist optional bei einigen Modellen.

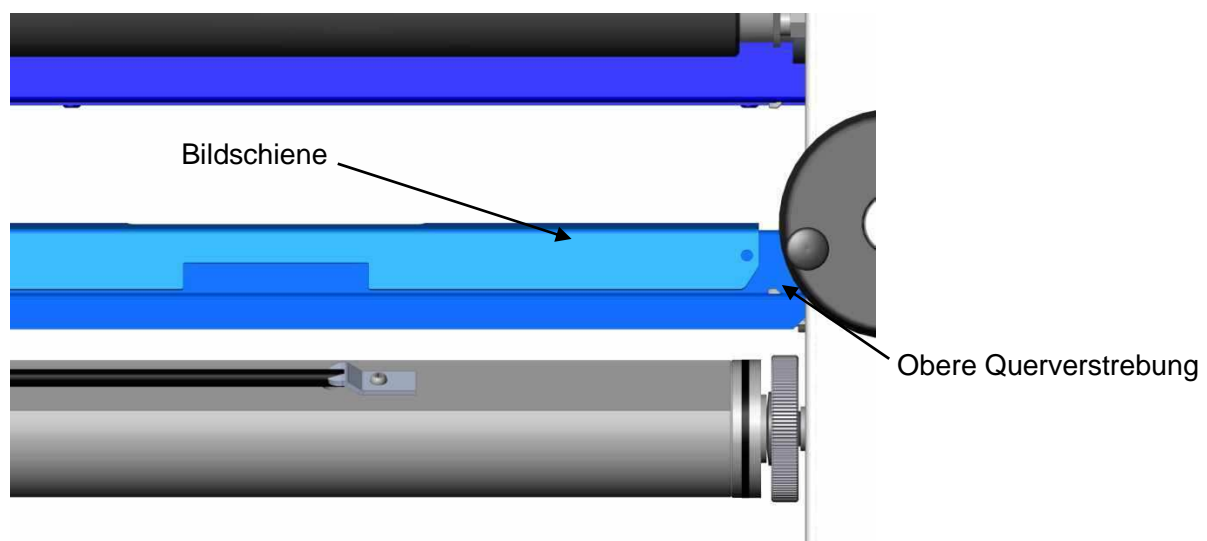


Abbildung 9

5 VERARBEITUNGSABLÄUFE

5.1 Prinzipien eines Arbeitsvorganges

In allen Prozessen werden die Materialien durch den Spalt von der Vorderseite aus eingeführt und dann durch Druck zusammengefügt.

Ein Arbeitsvorgang, der die Maschine optimal nutzt, wird in Abbildung 11 dargestellt. Gezeigt wird ein doppelseitiger Laminierungsprozess (Herstellung von selbstklebenden Bildern).

Die obere Beschichtungsfolie ist eine druckempfindliche Folie mit Trennpapier (3), die von einer Abrollwalze auf der (hinteren) oberen Abrollwelle abgezogen wird (5). Die untere Beschichtungsfolie ist eine druckempfindliche (Kaschier-) Folie, die von einer Zufuhrrolle auf der (hinteren) oberen Abrollwelle abgezogen wird (7). Einige Modelle haben eine Trennleiste (8), bis helfen bei der Beseitigung der Release Liner.

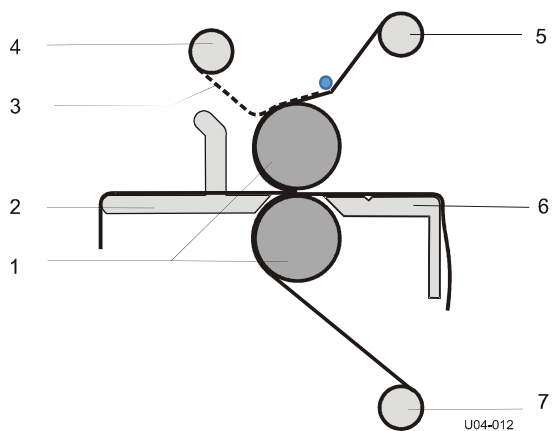



Abbildung 10: Erstellen eines selbstklebenden Bildes.

Das zu laminierende Bild wird zwischen den Hauptwalzen (1) über den Einfuhrtisch (2) eingeführt. Wenn ein druckempfindliches Laminat eingesetzt wird, verfügt dieses oft über ein Trennpapier (3) das entfernt werden muss. Dieses Trennpapier wird auf die Abrollwelle (4) im oberen Bereich aufgerollt. Eine Kaschierfolie verfügt über eine Klebschicht auf beiden Seiten, sowie ein Trennpapier auf einer Seite. Dieses Trennpapier muss solange daran bleiben, bis das Bild aufgezogen ist.

Die folgenden Schritte zeigen die grundlegenden Prozesse auf, die für das Einlegen des Materials benutzt werden, die Anordnung des Laminators und das Einstellen der Bremsspannung für die Materialien die Sie benutzen werden. Zum Be- und Entladen der Materialwellen ist es erforderlich von der Hinterseite Zugang zur Maschine zu haben.

5.2 Beschicken der Maschine

Wählen Sie die Folie(en) aus, welche Sie oben (und unten) auf den Bildern verwenden wollen. Es gehört zu den Best Practices sicherzustellen, dass sowohl das Laminat als auch das Medium größtmäßig zueinander passen, um Probleme beim Laminieren zu verhindern. So kann das Medium mit einem Rand zurechtgeschnitten werden, aber der Abfall ist geringer.

 Arbeiten Sie immer in der Mitte der Maschine.

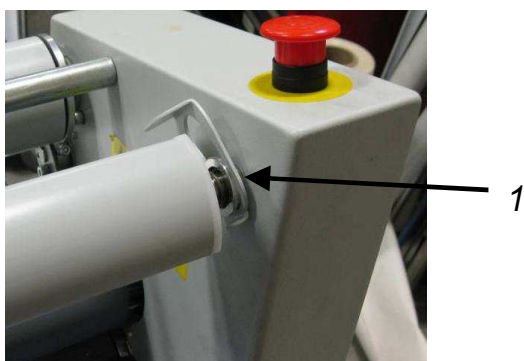


Abbildung 11: Sperre oben



Abbildung 12: Sperre unten

5.2.1 Entfernen einer Abrollwelle

- Sie entfernen die gewünschte (obere oder untere) Zufuhrwelle, indem Sie den Verriegelungsbügel (1) in die obere Position bewegen (Abbildung 11).
- Schieben Sie die Autogrip-Welle nach rechts gegen den Federdruck.
- Heben Sie zuerst die linke Seite der Welle vom Laminator weg, dann die rechte Seite.

5.2.2 Welle mit Folienrollen beladen

Die Folienrolle wird auf die Welle gelegt, je nach Typ der Folie und dem Einsatz im oberen oder unteren Bereich der Maschine. Normalerweise wird druckempfindliche Folie mit Trennpapier (A) mit dem Trennpapier (3) und dem Klebstoff (2) auf die Außenseite der Rolle (1) abgerollt, während Folie ohne Trennpapier (C) die Klebstoffschiicht auf der Innenseite der Rolle hat. Druckempfindliche Folien in Nordamerika haben das Trennpapier normalerweise auf der Innenseite der Rolle (B).

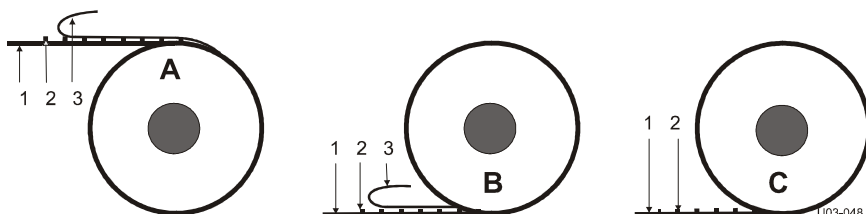


Abbildung 13: Folienrollen.

- Wenn die Folie zur Vorderseite der Maschine hin abgerollt wird, muss im oberen Bereich die Seite, auf der sich der Klebstoff (2) befindet und die mit dem Bild und dem Trennpapier (3) Kontakt hat, oben liegen.
- Wenn die Folie zur Vorderseite der Maschine hin abgerollt wird, muss im unteren Bereich die Seite, auf der sich der Klebstoff (2) befindet, unten liegen.

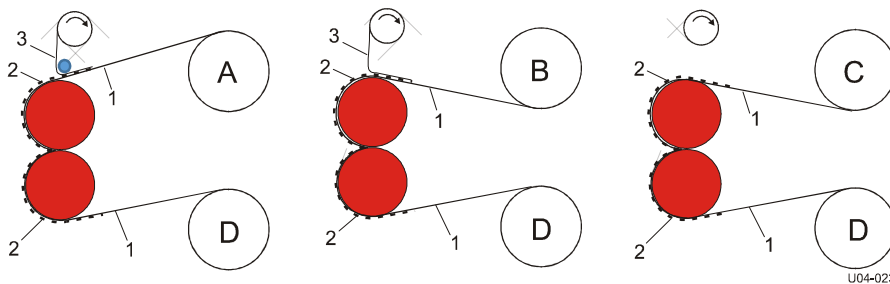


Abbildung 14: Folienkleber.

5.2.3 Das Gerät mit der

Abrollwelle beladen

- Den Verriegelungsbügel in die obere Position schieben und auf den rechten Wellenhalter, so wie in Abbildung 15 gezeigt, ausrichten.
- Die Abrollwelle an den Enden der Folienrolle fest in die Hand nehmen, um zu verhindern, dass die Folienrolle beim Beladen von der Welle rutscht.
- Die Welle, zusammen mit dem Material in den Laminator laden, indem sie in den rechten Abrollwellenhalter eingeführt wird.
- Gegen den Federdruck drücken, bis Sie das andere Ende der Welle auf den linken Abrollwellenhalter setzen.
- Achten Sie darauf, dass der Verriegelungsbügel sich in der unteren Position befindet (Abbildung 12).
- Ordnen Sie die Materialrolle mittig im Laminator an.



Abbildung 15: Abwickelposition.

5.3 Einspannen der Folien

Vor dem Laminieren der Bilder muss die Folie in die Maschine eingezogen werden. Die Folie kann für ein- oder zweiseitige Prozesse bestückt werden. Wenn Bilder aufgezogen werden, ist in die Maschine noch keine Folie eingespannt.

Anmerkung: Bei einseitigen Prozessen bleiben Klebstoffreste auf der unteren Walzen zurück, wenn die Folie breiter ist als die Bilder. Um dies zu verhindern, kann ein Trennpapier der gleichen Breite wie die obere Folie im unteren Bereich benutzt werden. Das Trennpapier kann später leicht entfernt werden. Es kann auch eine Folie, die die gleiche Breite wie das Bild besitzt, benutzt werden.

Wenn Platten verarbeitet werden, wird eine Vorläufer-Platte (Abfallbahn entspricht der Platte die zu verarbeiten ist) benötigt, um in die Folie einzugeben.

5.3.1 Spannung voreinstellen

Damit die Folie ohne Falten abgerollt wird, kann die Spannung (Bremse) eingestellt werden.

Auf der rechten (Bedienfeld) Seite der Maschine finden Sie ein Spannungseinstellrad an jeder Welle. Drehen Sie das Spannungseinstellrad entgegen dem Uhrzeigersinn (oben nach hinten), um die Spannung zu erhöhen oder im Uhrzeigersinn (oben nach vorne) drehen, um die Spannung zu verringern.

Wenn die Folie eingespannt ist, wird empfohlen, eine niedrigere Spannung auf jeder Welle einzustellen. Drehen Sie dazu das Einstellrad entgegen dem Uhrzeigersinn, bis sie leichten Widerstand spüren. Die Folie sollte eng anliegen, aber es sollte möglich sein sie mit der Hand ohne viel Anstrengung zu ziehen.

Zuviel Abrollspannung kann das Material belasten und sogar dazu führen, dass das Laminat Falten wirft. Eine richtig eingestellte Maschine sollte die Folie ohne Falten mit einer Mindestbremsspannung durchlaufen lassen.

- !** **ACHTUNG:**
 Benutzen Sie nie eine offene Klinge in der Nähe der Walzen. Durch Schneiden oder Ritzen der Walzen werden diese beschädigt und deren Leistungsfähigkeit reduziert.
 Dies führt zu einer minderen Qualität des fertigen Produktes.

5.3.2 Einspannen bei einseitigem Prozess

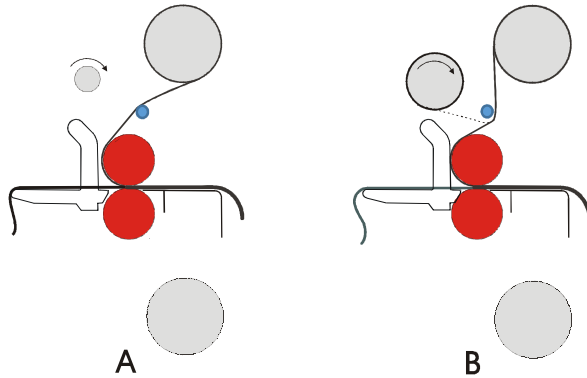



Abbildung 16: Einspannen des oberen Bereiches.

1. Die Folie nach vorne ziehen, bis ca. 10 cm (4 Zoll) auf dem Einfahrtstisch liegen.
2. Falls die Folien über ein Trennpapier verfügt (B):
 - An der Maschine eine Aufrollspule montieren.
 - Wenn das Maschine verfügt über eine Trennlinie bar, Web der Film unter der Stange.
 - Eine Ecke des Trennpapiers abziehen.
 - Das Trennpapier vom Laminat abziehen und mit Klebband auf die Röhre kleben.

 Eine leere Kartonröhre von einer gebrauchten Folienrolle kann mit der Aufwickelwelle verbunden werden, um das Trennpapier abzuziehen. So kann das Trennpapier leicht von der Aufrollröhre entfernt werden und kann ggf. für andere Verwendungszwecke eingesetzt werden.


3. Den Tisch zur vollständig offenen Position anheben.
4. Die obere Walze zur vollständig offenen Position anheben.
5. Von der Rückseite der Maschine, die Folie durch den Walzspalt ziehen und auf den Ausfuhrstisch kleben. Achten Sie darauf, dass die Folie flach an der oberen Walze anliegt. Falls erforderlich Abrollbremsen verstärken.
6. Falls die untere Abrollwelle benutzt wird um das Bild oder das Trennpapier einzufügen, ist das Folgende erforderlich:
 - Das Material durch den Walzenspalt einführen und darauf achten, dass es flach auf der unteren Rolle aufliegt.
 - Das Material mit einer Hand festhalten.
 - Die obere Walze zur vollständig geschlossenen (Null) Position absenken.

Anmerkung: Benutzen Sie auf der unteren Abrollwalze Trennpapier oder eine Trägerplatte, wenn dünne Bilder bearbeitet werden.

7. Den Tisch zur vollständig geschlossenen Position absenken.

8. Falls geschnittene Blattbilder eingeführt werden:

- Legen Sie ein Stück nicht benötigtes Papier in den Walzenspalt, dessen Breite der des Laminates entspricht, ca. 30 cm (12 Zoll).
- Das nicht benötigte Material mit einer Hand festhalten.
- Die obere Rolle zur vollständig geschlossenen (Null) Position absenken.
- Führen Sie das Bild über das nicht benötigte Material oder den letzten Bildteil.

 Wenn Bilder geschnitten werden, sollte immer genügend überschüssiges Material vorhanden sein, so dass sich etwas Material im Walzenspalt befindet, und es gleichzeitig möglich ist das laminierte Bild auf der Rückseite der Maschine abzuschneiden. Die Folie sollte nie in Kontakt mit der unteren Rolle kommen.

9. Ziehen Sie die Folie vom Ausfuhrtsch (Schritt 6) und falten Sie das Ende der Laminierung nach unten, damit sie nicht wieder am Tisch anklebt.

10. Zum Starten des Prozesses den Fußschalter betätigen, dann mit dem Vorwärtsschalter zum normalen Modus schalten.

5.3.3 Einspannen bei doppelseitigem Prozess

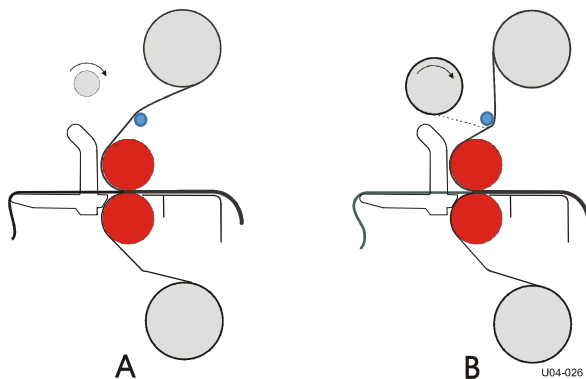



Abbildung 17: Im unteren und oberen Bereich sind Kaschierfolien eingespannt.

Die Folie wird zuerst im oberen Bereich eingespannt

1. Die Folie nach vorne ziehen bis der Einfuhrtsch fast erreicht ist und dann flach auf die obere Walze legen.
2. Falls die Folien über ein Trennpapier verfügt (B):
 - An der Maschine eine Aufrollspule montieren.
 - Wenn das Maschine verfügt über eine Trennlinie bar, Web der Film unter der Stange.
 - Eine Ecke des Trennpapiers abziehen.
 - Das Trennpapier vom Laminat abziehen und mit Klebband auf die Röhre kleben.

 Eine leere Kartonröhre von einer gebrauchten Folienrolle kann mit der Aufwickelröhre verbunden werden, um das Trennpapier abzuziehen. So kann das Trennpapier leicht von der Aufrollröhre entfernt werden und kann, soweit es benötigt wird, für andere Verwendungszwecke eingesetzt werden.

Nun die Folie in den unteren Bereich einspannen

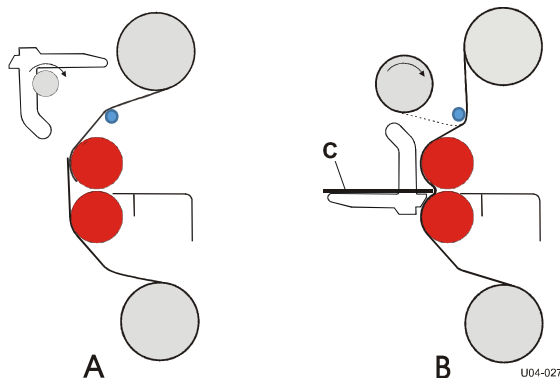


Abbildung 18: Einspannen im unteren Bereiches.

3. Den Einfuhrtisch anheben und in die obere Position (A) stellen.
4. Die Folie von der unteren Abrollrolle abrollen.
5. Die Folie nach vorne ziehen, bis das Ende über den Walzenspalt hinausreicht und an die Folie vom oberen Abschnitt kleben.
6. Den Einfuhrtisch absenken.
7. Die Höhe des Walzenspalt auf die ungefähre Dicke des Vorläufers einstellen.
8. Die Folie mit einem Vorläufer (C) mithilfe des Kriechgangs in den Walzenspalt einführen (B).
9. Wenn der Vorläufer vollständig aus dem Walzenspalt herausgelaufen ist, die obere Walze zur vollständig geschlossenen Position herunterfahren (Spalthöhe = 0).
10. Zum Starten des Arbeitsablaufes den Fußschalter betätigen, dann mit dem Vorwärtsschalter zum normalen Modus schalten.

5.4 Ablauf und Einstellungen

5.4.1 Allgemeines

Die aktuellsten Informationen zum Ablauf mit SEAL®-Materialien finden Sie unter www.sealgraphics.com.

5.4.2 Vorbeschichtung

Der Prozess wird verwendet, um Platten (Substrate) mit einer druckempfindlichen Kaschierfolie zu versehen, auf die dann Bilder aufgezogen werden können. Dieser Prozess kann auch zur Herstellung einer Trägerplatte (Schlitten) benutzt werden. Hierbei wird eine beidseitig klebende Folie eingesetzt, die auf beiden Seiten über ein Trennpapier verfügt.

Anmerkung: Die Kaschierfolie verfügt normalerweise auf einer Seite über Trennpapier. Die Folie in den oberen Bereich einlegen und sie so einspannen, als ob sie über kein Trennpapier verfügt (weitere Hinweise unter 5.3.2).

1. Die Rolle mit der Kaschierfolie auf die Welle der oberen Abwickelstation setzen.
2. Bildschiene entfernen.
3. Die obere Walze zur vollständig offenen Position anheben.
4. Die Folie durch den Walzenspalt ziehen und am Ausfuhrtschiff befestigen.
5. Einen Vorläufer in einen Walzenspalt einführen, der über die gleiche Dicke und Breite wie die zu verarbeitende Platte verfügt.

6. Die obere Walze herunterfahren bis sie den Vorläufer berührt. Diesen Vorgang fortsetzen, bis der Vorläufer mit der Hand nicht mehr frei von der einen zur anderen Seite bewegt werden kann.
7. Die nächste vorzubeschichtende Platte sollte dem Vorläufer lückenlos folgen. Benutzen Sie den Fußschalter, um den Prozess zu beginnen. Mit dem Vorwärtsgang wird der Vorwärtslauf eingestellt, wenn der Prozess störungsfrei läuft.

Anmerkung: Wenn mehr Platten vorbeschichtet werden müssen, sollten Sie fortlaufend, ohne Unterbrechung eingeführt werden.

8. Die Platten mit einem Schneideblatt abschneiden, wenn sie den Walzenspalt auf der Rückseite der Maschine durchlaufen haben.
9. Mit einem Vorläufer enden. Diese Platte einführen, bis die vorherige Platte aus dem Walzenspalt herausgelaufen ist.

VORSICHT:

Die Folie nicht bei oder auf den Walzen schneiden. So wird die Silikonbeschichtung der Rollen beschädigt und die Garantie erlischt.

10. Wenn Sie fertig sind, den Vorläufer mit dem Rückwärtsgang zurückfahren.
11. Die Folie mit einem Sicherheitsschneideblatt abschneiden.

Die Platte verfügt nun über eine Klebstoffbeschichtung auf die ein Bild aufgezogen werden kann. Informationen zum Aufziehen von Bildern finden Sie in Abschnitt 5.4.3.

5.4.3 Das Aufziehen von Bildern oder selbstklebenden Bildern

In diesem Prozess ist die Maschine nicht mit Folie beladen.

- Wenn Bilder auf vorbeschichtete Platten aufgezogen werden (B), befindet sich der Klebstoff auf der Aufziehseite der Platte.
- Wenn selbstklebende Bilder aufgezogen werden (A) befindet sich der Klebstoff auf der Rückseite des Bildes.

Das Aufziehen verläuft bei beiden Prozessen gleich.

1. Die Abrollwelle wird von der oberen, vorderen Station abgenommen.
2. Die Bildschiene wird entfernt.
3. Der Walzenspalt wird eingestellt (siehe Abschnitt 4.4).
4. Die Platte wird auf den Einfuhrtisch gelegt.
5. Das Bild auf die Platte legen (Bildseite nach oben). Das Bild auf die Maschinenseite umfalten (1).
6. Auf der Maschinenseite ca. 25 mm (1 Zoll) des Trennpapiers umfalten (2) und es gleichmäßig von innen nach außen knicken.

Die Endqualität hängt davon ab, wie die führende Kante des Bildes auf die Platte aufgetragen wird.

7. Das Bild (3) auf die Platte auftragen.
8. Die Kante mit dem befestigten Bild in den Walzenspalt einführen (D).
9. Das lose Ende (4) des Bildes glatt über die obere Walze legen.
10. Mit dem Fußschalter den Kriechmodus aus-/einschalten, um Ihre Hände freizuhalten.

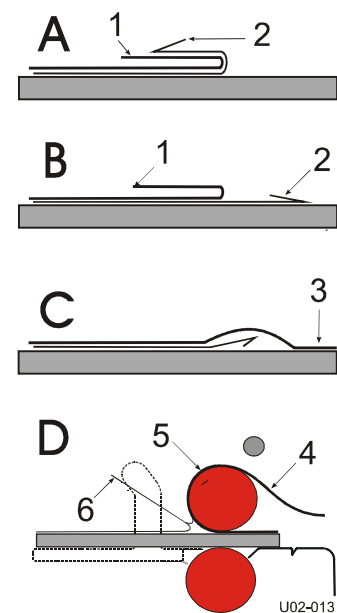


Abbildung 19: Das Aufziehen von Bildern oder selbstklebenden Bildern



WARNUNG:

FINGER VOM WALZENSPALT FERN HALTEN. DIE OPTISCHE SICHERHEITSVORRICHTUNG FUNKTIONIERT NICHT, WENN DER FUSSSCHALTER IM KRIECHMODUS BENUTZT WIRD.

11. Mit der linken Hand das Trennpapier (6) vom Bild oder der Platte abziehen, wenn es langsam ohne anzuhalten in den Walzenspalt eingeführt wird.

Anmerkung: Wird das Trennpapier ganz entfernt, kann sich Schmutz und Staub auf dem Klebstoff und somit unter dem Bild festsetzen.

12. Mit der rechten Hand, das Bild glatt an der oberen Walze halten (5), um Falten im Bild zu verhindern.



Die besten Resultate werden erzielt, wenn das Einziehen eines Bildes nicht unterbrochen wird.

5.4.4 Überlaminierung

Nachdem ein Bild auf einer Platte aufgezogen wurde, kann ein schützendes Laminat aufgetragen werden. Dieser Prozess ist mit der Vorbeschichtung einer Platte identisch (Abschnitt 5.4.2). Zur Überlaminierung kann eine druckempfindliche Laminierungsfolie benutzt werden.

Anmerkung: SEAL® empfiehlt die Herstellung von selbstklebenden Bildern (siehe Abschnitt 5.4.6), da dies den Druck der aufgezogen werden muss, besser schützt.

5.4.5 Einseitige Laminierung

Bilder können einseitig mit oder ohne Trägerplatte (Schlitten) laminiert werden.

Als Laminat sollte eine druckempfindliche Folie mit oder ohne Trennpapier verwendet werden.

Der Nachteil einer einseitigen Laminierung sind die Klebstoffrückstände die auf den Walzen, auf denen keine Bilder sind, zurückbleiben.

Um dies zu vermeiden, können Trennpapier oder Trägerplatten benutzt werden. Oder das Bild muss breiter sein als das Laminat und ein Stück nicht benötigtes Material muss zu Beginn und am Ende des Prozesses in den Spalt eingeführt werden.

Einsatz von Trennpapier (empfohlen)

- Eine Rolle mit Trennpapier sollte im unteren Bereich eingesetzt werden.
- Die Folie im oberen und unteren Bereich sollte wie oben (in Abschnitt 5.3.2) beschrieben, eingezogen werden.

Wenn die Bilder geschnitten werden, löst sich das Trennpapier automatisch vom Bild.

Einsatz von Trägerplatten (Schlitten)

- Die Folie im oberen Bereich der Maschine sollte wie oben (in Abschnitt 5.3.2) beschrieben eingezogen werden.
- Das Bild auf eine Trägerplatte mit der Bildseite nach oben legen und die Schritte für die Vorbeschichtung einer Platte (Abschnitt 5.4.2) befolgen.

5.4.6 Herstellung von selbstklebenden Bildern

Wenn selbstklebende Bilder hergestellt werden, wird über das Bild eine Laminierung sowie Klebstoff auf der Rückseite des Bildes aufgetragen.

1. Die Laminierungsfolien in den oberen und unteren Bereich wie in Abschnitt 5.3.3 beschrieben einlegen und einspannen.
2. Die Bilder in den Walzenspalt einführen und einen Spalt zwischen den beiden lassen.
3. Das Produkt mit einem Sicherheitsschneider abschneiden, wenn die Bilder einen sicheren Abstand zu den Walzen haben.

Das selbstklebende Bild kann später auf einer Platte oder anderes Substrat gezogen werden.

5.5 Ausladen

Ausladen der Maschine:

1. Schneiden Sie das Produkt nach dem letzten Bild (Platte nach dem Vorläufer) ab.
2. Beide Folien mit einem Sicherheitsschneider 25 mm (1 Zoll) über der Oberfläche der Rollen abschneiden.
3. Den Walzenspalt öffnen und die (Vorläufer und) Folien von den hinteren Walzen abnehmen.

Um eine Rolle von der Welle zu nehmen:

4. Die Autogrip-Welle herausnehmen (Siehe 5.2.1).
5. Die Materialrolle von der Autogrip-Welle nehmen.

6 SÄUBERN/WARTUNG

Die Maschine muss regelmäßig gesäubert werden. Schutz und Staub beeinträchtigen die Qualität laminiertes Endprodukte.



VORSICHT:

Benutzen Sie keine scheuernden Materialien für die Reinigung der Maschine. Diese können die gestrichenen Oberflächen oder die Silikonbeschichtung der Walzen beschädigen.

Benutzen Sie zur Reinigung einen feuchten Lappen.



VORSICHT:

Achten Sie darauf, dass das Wasser nicht in irgendwelche Teile des Gehäuses läuft. Dieses kann die elektrischen Schaltungen beschädigen, wenn Strom angelegt wird.

Reinigen Sie die Außenseite der Maschine bei Bedarf mit einem feuchten Lappen. Falls notwendig, benutzen Sie Haushaltsreiniger um schwierige Flecken zu entfernen.

Die Wellen und Gummischnüre nach Bedarf reinigen.

6.1 Alle silikonbeschichteten Walzen reinigen

Die Walzen müssen regelmäßig gereinigt werden, damit sich keine Rückstände ansammeln. Diese können mit der Zeit die Walzen beschädigen.

Benutzen Sie einen fusenfreien Lappen, um Staub oder Schmutz zu entfernen.

Schwierige Flecken können mithilfe von Isopropylalkohol (IPA) und einem fusenfreien Lappen entfernt werden.

Isopropylalkohol nicht direkt auf die Maschine gießen.



WARNUNG:

ISOPROPYLALKOHOL IST LEICHT ENTZÜNDLICH! DER FLAMMPUNKT VON ISOPROPYLALKOHOL BETRÄGT 11 °C (51,8 °F). DIE SELBSTENTZÜNDUNGSTEMPERATUR VON ISOPROPYLALKOHOL BETRÄGT 400 °C (752 °F).

6.2 Vorbeugende Wartung

Maschinen von SEAL® sind so konstruiert, dass sie sehr wenig (vorbeugende) Wartung neben der Säuberung benötigen.

Die folgenden Tests sind durchzuführen:

- Autogrip-Welle mit Absperrschnüren.

6.2.1 Autogrip Wellen

Den Autogrip-Mechanismus jeder Welle überprüfen.

- Der Abstand (d) zwischen den Gummischnüren und der flachen Kante sollte mindestens $8 \pm 2,5$ mm betragen.

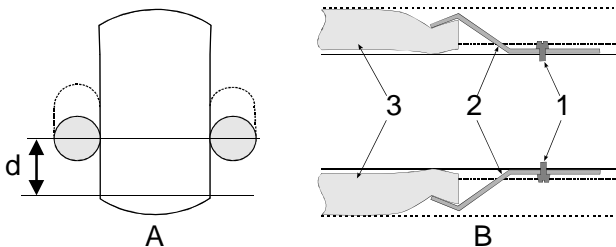


Abbildung 20: Autogrip-Welle

Falls dies nicht der Fall ist, wie folgt korrigieren:

- Die Schelle (2) mit der Schraube (1) lösen, bis die Schnur auf einer Seite frei ist.
- Die Schnur kürzen, indem ca. 10 mm (0,4 Zoll) abgeschnitten werden.
- Das Ende der Schnur unter die Klemme legen (2).
- Durch Anziehen der Schraube befestigen (1).

7 FEHLERBEHEBUNG

Eine Auflistung der am häufigsten vorkommenden Störungen, die Benutzer selbst korrigieren können:

Problem	Ursache	Lösung
Das Ein-Led leuchtet nicht auf, wenn die Maschine eingestellt wird.	Kein Strom	Überprüfen Sie, ob der Stecker des Netzkabels vorschriftsmäßig in der Hauptwandsteckdose eingesteckt ist. Überprüfen Sie die Hauptsicherung in der Nähe der Eingangsleistung.
Sowohl die nach vorne und die umgekehrt.	Die Spannung aus der Motorleistung ist zu niedrig oder zu hoch.	Rücksetzen Leistung. Rufen Sie Ihre Service-Techniker.
Vorwärts- oder Rückwärts-LEDs blinken.	Der Antriebsmotor ist überlastet.	Maschine stoppen und dann neu starten. Senken Sie die Folienspannung.

Für technische Unterstützung rufen Sie bitte den Technischen Kundendienst an (siehe 8.2).

7.1 Fehlerbehebung

Während der Verarbeitung können sich Falten auf dem Bild (1), auf dem Einfuhrtisch (2) und auf dem Endprodukt (4) auf dem Output-Tisch bilden.

Die nachfolgenden Abbildungen zeigen einige Beispiele in denen Falten durch die Hauptwalzen (3) verursacht werden, sowie mögliche Lösungen.

Warten Sie bis einige Meter verarbeitet sind, um die Ergebnisse beurteilen zu können.

Die besten Ergebnisse werden erzielt, wenn in der Mitte der Maschine gearbeitet wird.

Druck ist zu hoch.

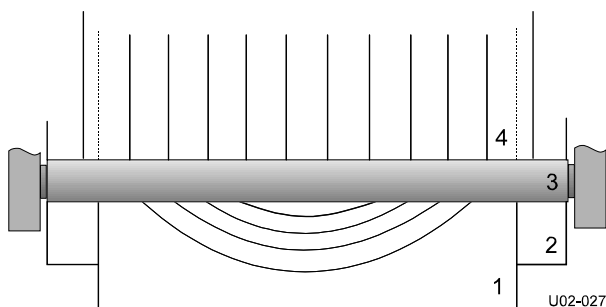


Abbildung 21: Falten aufgrund zu hohen Druckes.

- Setzen Sie sich mit Ihrem Händler in Verbindung und bitten Sie um technische Hilfe.

Druck ist zu niedrig.

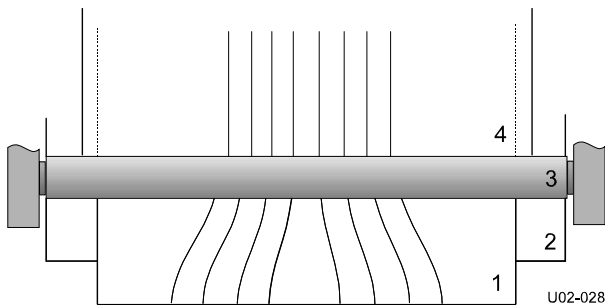


Abbildung 22: Falten aufgrund zu niedrigen Drucks.

- Setzen Sie sich mit Ihrem Händler in Verbindung und bitten Sie um technische Hilfe.

Abrollspannung ist zu niedrig.

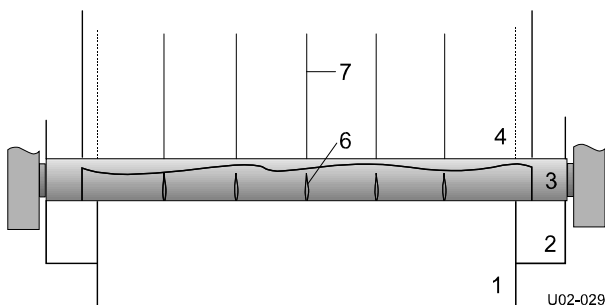


Abbildung 23: Falten aufgrund zu niedriger Abrollspannung.

- Erhöhen Sie die Abrollspannung bis die Falten (6) in der Folie auf den Walzen verschwinden. Die Linien (7) im Endprodukt werden auch verschwinden.

Walzenausrichtungsfehler.

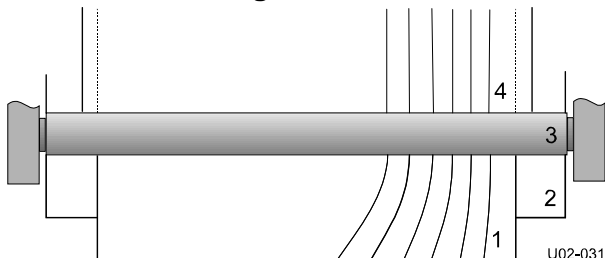


Abbildung 24: Falten aufgrund einer fehlerhaften Walzenausrichtung.

Die Falten treten nur auf einer Seite auf (links oder rechts).

- Setzen Sie sich mit Ihrem Händler in Verbindung und bitten Sie um technische Hilfe.


7.2 Technischer Kundendienst

Für technische Hilfe können Sie sich mit Ihrem Händler in Verbindung setzen oder unter www.sealgraphics.com weitere Informationen finden. Fertigen Sie eine klare Beschreibung des Problems an, bevor Sie sich mit dem technischen Kundendienst in Verbindung setzen.

Halten Sie bitte die Typenbeschreibung und Seriennummer Ihrer Maschine bereit. Sie finden diese Daten auf dem Typenschild Ihrer Maschine, das sich auf der Rückseite des rechten Gehäuses befindet.

8 PROCESS CONTROL SHEET

Note: We recommend that you make a photocopy of this page. With each successfully run application, record the process and settings and a diagram of the webbing procedure. Keep the record so the application can be repeated at a later date.

 If a standard image is made available for each new process then sales materials and samples can be developed for reference.

LAMINATOR SETTINGS

Media: _____

Process: _____
 Application Use: _____
 Upper Unwind Shaft: _____
 Lower Unwind Shaft: _____
 Wind-up Tube: _____
 Motor Speed Setting: _____

WEBBING SETTINGS

Web Tension Upper Unwind Shaft:
 Light / Med. / Heavy _____
 Web Tension Lower Unwind Shaft:
 Light / Med. / Heavy _____
 Nip Height: _____

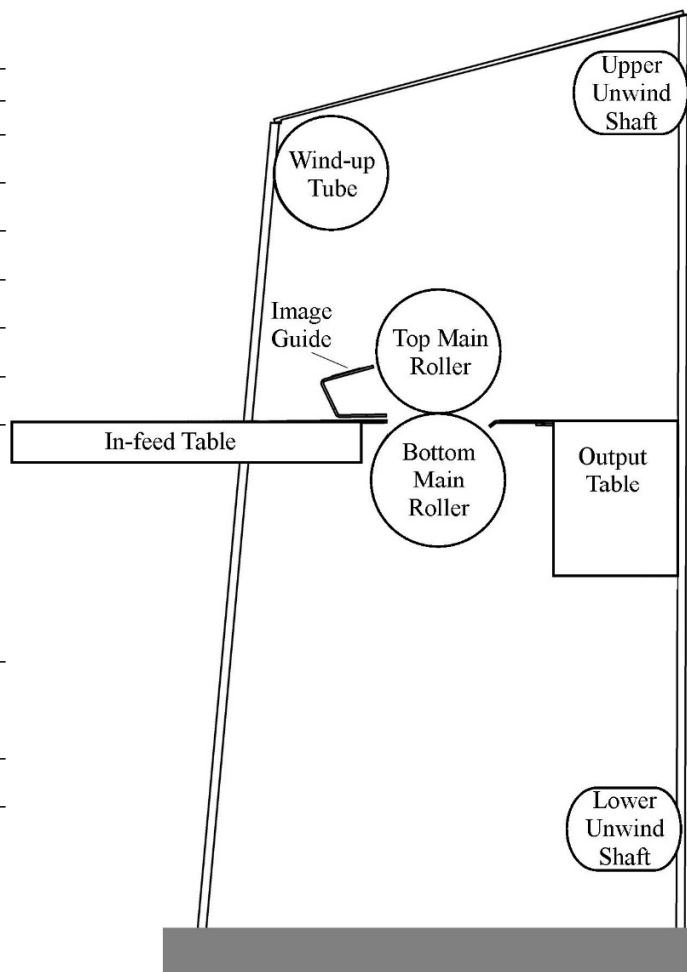


Figure 25: Blank Webbing Diagram

9 GLOSSAR

Aufziehen

Ein Bild auf eine Art von Schaumstoffplatte oder Substrat aufkleben.

Ausfuhr

Die Seite des Laminators, auf der die aufgezogenen Bilder ausgeführt werden.

Druck

Die Kraft pro Flächeneinheit, welche auf alles, was zwischen der oberen und unteren Walze hindurchgeht, ausgeübt wird.

Druckempfindliche Laminierfolien

Folien mit einer Klebeschicht, die eine Verbindung zwischen der schützenden Folie und der Oberfläche des Bildes formt, sobald sie mit Druck aufgetragen wird. Wird vor allem für rasche Aufziehverfahren verwendet. Sie wird für wärmeempfindliche thermische Ausdrücke und Fotodrucke empfohlen.

Einfuhrseite

Die Seite des Laminators, von der aus Bilder eingeführt werden.

Mil

Maßeinheit für die Dicke des Laminats: 1 Mil = 1/1000 Zoll.

Selbstklebendes Bild

Ein Bild, das auf der Oberseite laminiert (entweder wärmeaktiviert oder druckempfindlich) und auf der Rückseite mit Klebstoff versehen wurde.

Substrat

Das Material, auf das ein Bild aufgezogen oder angebracht wird.

Trägerplatte (Schlitten)

Ein Stück glatte, nicht zusammenpressbaren Platte (vorzugsweise Masonit) die mit selbstklebender Aufziehfolie beschichtet ist. Das Trennpapier wird nicht entfernt und bietet die erforderliche nichthaftende Oberfläche. Es kann auch eine Schaumstoffplatte benutzt werden. Diese verfügt jedoch nicht über die Lebensdauer einer Masonit-Platte. Trägerplatten werden benutzt, wenn nur eine Seite eines Bildes laminiert wird.

Trennpapier

Die Antihaft-Schutzfolie auf druckempfindlichen Laminierungsmaterialien oder einer Kaschierfolie, die verhindert, dass die Folie an sich selbst klebt. Wenn das Trennpapier abgezogen wird, wird die Klebschicht freigelegt.

Vorbeschichtung

Der Prozess der Beschichtung eines Substrates mit einer Kaschierfolie, auf die dann ein Bild aufgezogen werden kann.

Vorläufer-Platte

Ein Stück Schaumstoffplatte ungefähr 1 m (40 Zoll) x 10 cm (4 Fuß), mit dem die Folie in den Walzenspalt geschoben wird. Diese wird auch bei Aufziehkartons oder bei der Vorbeschichtung verwendet, um zu vermeiden, dass Kleber auf die Walzen oder Kanten, die zu versiegeln sind, gelangt.

Walzenspalt

Die Stelle, an der sich die obere und die untere Walze berühren.

10 EINGESCHRÄNKTE GARANTIE

SEAL® gewährleistet den Erstkäufern, dass alle neuen SEAL®-Laminatoren bei denen sich in der anwendbaren Garantiezeit ein Material- oder Verarbeitungsfehler zeigt, kostenlos repariert oder nach unserem Ermessen ersetzt werden. Bei Hauptwalzen besteht nur eine Garantie für Herstellungsfehler, da die Walzen je nach Einsatz der Maschine unterschiedlich starker Abnutzung ausgesetzt sind. Diese Garantie ist nicht anwendbar, falls sich herausstellt, dass zu irgendeinem Zeitpunkt das Gerät nicht für den vorgesehenen Zweck eingesetzt wurde.

„Erstkäufer“ bedeutet jene Person, welche das von dieser Garantie betroffene Gerät als erster nicht zum Zweck des Wiederverkaufs erworben hat. Die Garantie erstreckt sich nur auf und ist nur durchsetzbar für den Erstkunden und nur auf den Zeitraum (während der anwendbaren Laufzeit), in dem das Produkt im Besitz des Erstkunden bleibt.

Die in diesem Handbuch abgedruckte Garantie ist nicht bindend und kann unter Umständen nicht den örtlichen Vorgaben entsprechen. Weitere Informationen zur Garantie erhalten Sie von Ihrem Händler oder unter www.sealgraphics.com.

ACHTUNG!

JEDE NICHT AUSDRÜCKLICH VOM HERSTELLER GENEHMIGTE VERÄNDERUNG ODER UMBAU DIESES GERÄTES KANN ZUM ERLÖSCHEN DER BETRIEBSERLAUBNIS DES BENUTZERS FÜHREN.

ACHTUNG!

JEDE NICHT VON UNS SCHRIFTLICH GENEHMIGTE VERÄNDERUNG ODER UMBAU DES GERÄTS FÜHRT ZUM ERLÖSCHEN DER GARANTIE UND ÜBERTRÄGT DIE VERANTWORTUNG FÜR DIE GESUNDHEIT UND DIE SICHERHEIT AUF DEN ANWENDER.

Anmerkung:

Das Gerät wurde gemäß dem Teil 15 der FCC-Richtlinien für digitale Geräte der Klasse A getestet und entspricht diesen Grenzwerten. Diese Grenzwerte stellen sicher, dass ein angemessener Schutz vor schädlichen Interferenzen beim Betrieb des Geräts in einer kommerziellen Umgebung gewährleistet wird. Dieses Gerät erzeugt und verwendet Hochfrequenz und kann diese auch abstrahlen. Falls es nicht in Übereinstimmung mit dem Benutzerhandbuch betrieben wird, kann es für Radioübertragungen schädliche Frequenzen abstrahlen. Der Betrieb dieses Geräts in Wohnbereichen wird wahrscheinlich schädliche Interferenzen hervorrufen. In diesem Fall muss der Anwender die schädlichen Abstrahlungen auf eigene Kosten beseitigen.

11 INDEX

A		S	
Abmessungen.....	62	Standardsymbole	59
Anforderungen an den Arbeitsplatz .	64	T	
Aufrollspanner	71	Technische Daten.....	62
B		U	
Bildschiene	71	Umgebungsbedingungen	64
G		V	
Geschwindigkeit	62	Verarbeitungsabläufe	72
Gewicht	62	Verriegelungsbügel.....	73
Glossar	85	W	
H		Walzendruck.....	62
Haftung.....	59	Walzenspalt.....	62
M			
Maximale Geschwindigkeit	62		

Introducción

Nos gustaría darle las gracias por haber adquirido el producto 54/65 EL de SEAL®, diseñado para ofrecerle un servicio fiable y duradero durante años. Si sigue las instrucciones de uso y mantenimiento que se especifican en este manual de manera adecuada, podrá usar esta máquina durante muchos años sin problemas y con los consiguientes beneficios de su inversión.

Su laminadora 54/65EL cumple con las directivas (2004/108/EC y 2006/95/EEC) de la CE así como con la regulación RoHS. La laminadora también ha obtenido la certificación ETL para EE.UU. (UL 60950-1) y Canadá (CSA C22.2 60950-1).

Declaración de uso previsto.

La laminadora 54/65 EL ha sido diseñada para que sea utilizada con materiales SEAL®. Cuando se utilice con estos productos, usted podrá montar y laminar sin problemas. Su máquina no ha sido probada con ningún otro tipo de materiales, por lo que no se recomienda que se utilice con otros productos que no sean suministrados por SEAL®.



ADVERTENCIA:

ESTA MÁQUINA HA SIDO DISEÑADA PARA MONTAR Y LAMINAR PRODUCTOS. CUALQUIER OTRO USO DISTINTO AL USO PARA EL QUE SE DISEÑÓ PUEDE CAUSAR DAÑOS EN LA MÁQUINA O LESIONES FÍSICAS PARA EL USUARIO.

Declaración de responsabilidad

Los detalles que se proporcionan en este manual se basan en la información más reciente que tenemos disponible. Estos detalles pueden estar sujetos a cambios en el futuro. La compañía se reserva el derecho para realizar cambios en la construcción o diseño de nuestros productos sin aceptar ninguna responsabilidad para modificar versiones anteriores ofrecidas anteriormente.

Símbolos estándar



Los párrafos que estén marcados con este símbolo le proporcionan alguna idea o le ofrecen un consejo u otro tipo de información para que pueda utilizar esta unidad de manera eficaz.



ADVERTENCIA:

PRESTE ATENCIÓN A TODOS LOS PÁRRAFOS MARCADOS CON ESTE SÍMBOLO. ESTA INFORMACIÓN ES ESENCIAL PARA EVITAR QUE SE PRODUZCAN DAÑOS EN LA UNIDAD Y/O QUE EL USUARIO SUFRA LESIONES. SI NO SE RESPETA ESTA INFORMACIÓN, PUEDEN QUEDAR ANULADAS LAS GARANTÍAS DEL USUARIO Y SE LE TRANSFERIRÁN TODAS LAS OBLIGACIONES RELACIONADAS CON LA SEGURIDAD LABORAL.

Tabla de contenidos

Introducción	88
1 Especificaciones	91
1.1 Especificaciones técnicas	91
1.2 Opciones	92
2 Seguridad/Medidas de seguridad importantes	92
2.1 Símbolos de seguridad usados en el equipo.	92
2.2 Botones de parada de emergencia	93
3 Desembalaje e instalación	93
3.1 Condiciones ambientales	93
3.2 Entorno	93
3.3 Alimentación eléctrica	93
3.4 Requisitos de la zona de trabajo	93
3.5 Desembalaje de la laminadora	94
3.6 Instalación de la laminadora	95
3.7 Transporte	96
4 Descripción de la unidad	97
4.1 Panel de control	98
4.2 Control del motor	98
4.2.1 Modo lento	99
4.2.2 Poner la máquina en el modo de retroceso	99
4.2.3 Frenos de desenrollado	100
4.2.4 Ajuste de la línea de contacto de los rodillos	100
4.2.5 Almacenamiento de la guía de imagen	100
5 Procesos de la aplicación	101
5.1 Principios del proceso	101
5.2 Cargar la máquina	102
5.2.1 Extracción de un eje de desenrollado	102
5.2.2 Carga de rollos de película en el eje	102
5.2.3 Carga del eje de desenrollado en una máquina	103
5.3 Bobinado de películas	103
5.3.1 Ajuste previo de la tensión	103
5.3.2 Bobinado de una sola cara	104

5.3.3	Bobinado a doble cara	105
5.4	Procesos y ajustes	106
5.4.1	General	106
5.4.2	Paneles de encolado previo	106
5.4.3	Montar imágenes o etiquetas adhesivas	107
5.4.4	Sobrelaminado	108
5.4.5	Laminado de una sola cara	108
5.4.6	Etiqueta adhesiva	109
5.5	Descarga	109
6	Limpieza/mantenimiento	109
6.1	Limpieza de los rodillos recubiertos de silicona	110
6.2	Mantenimiento preventivo	110
6.2.1	Ejes de sujeción automática	110
7	Solución de problemas	111
7.1	Solución de problemas de los procesos	111
7.2	Asistencia técnica	112
8	Process Control Sheet	113
9	Glosario de términos	114
10	Garantía limitada	115
11	Índice	116

1 ESPECIFICACIONES

1.1 Especificaciones técnicas

	Imperial	Métrico
Ancho de trabajo máx.		
54 EL	54" máximo	1400 mm máx.
65 EL	65" máximo	1651 mm máx.
Velocidad máx.	14 pies/min	4,25 m/min
Dimensiones (AxAxF)		
54 EL	48" x 71.3" x 24"	1220 x 1811 x 610 mm
65 EL	48" x 82.3" x 24"	1220 x 2090 x 610 mm
Dimensiones para el transporte (AxAxF)		
54 EL	58" x 74" x 29"	1473 x 1880 x 737 mm
65 EL	61" x 88" x 30"	1549 x 2235 x 762 mm
Peso		
Peso neto		
54 EL	325 lbs	147 kg
65 EL	430 lbs	195 kg
Peso de envío		
54 EL	434 lbs	197 kg
65 EL	544 lbs	247 kg
Diámetro máximo del rollo		
Desenrollado	8"	200 mm
Enrollado	6"	150 mm
Peso máximo del rollo		
Desenrollado	85 lbs	38,5 kg
Enrollado	35 lbs	15,9 kg
Apertura del rodillo (Mín. – Máx.)	0 – 1"	0 – 25 mm
Presión del rodillo	3 lb/pulg.	0,53 N/mm.
Especificaciones eléctricas		
EE.UU./Canadá	Enchufe de 115 VCA, 50/60Hz, 1A, 115W - NEMA 5-15	
Europa	Enchufe BS1363 de 230 VCA, 50/60Hz, 0,5 A, 115 W o enchufe para Europa continental (estilo de Schuko)	
Material de fabricación del rodillo	Dos rodillos de acero recubiertos de silicona.	

* Las especificaciones pueden cambiar sin previo aviso.

1.2 Opciones

La 54/65 EL versión "A" tiene varias opciones disponibles. Las opciones son:

Artículo	Descripción	Número de parte
1	54 EL en opción de bandeja de alimentación	5402A
2	65 EL en opción de bandeja de alimentación	6502A
3	pies niveladoras opción	5406A
4	54 EL-1 Guía de imagen	5411A
5	65 EL-1 Guía de imagen	6511A

Nota: Algunas opciones pueden ser incluidas con su modelo.

2 SEGURIDAD/MEDIDAS DE SEGURIDAD IMPORTANTES

2.1 Símbolos de seguridad usados en el equipo.



PIEZAS GIRATORIAS

PELIGRO MECÁNICO. SI NO SE RESPETAN LAS PRECAUCIONES NECESARIAS CERCA DE LOS RODILLOS, PUEDEN PRODUCIRSE LESIONES FÍSICAS. TENGA CUIDADO DE QUE OBJETOS COMO ROPA ANCHA, PELO LARGO Y JOYAS NO QUEDEN ATRAPADOS EN LAS PIEZAS GIRATORIAS.



ADVERTENCIA SOBRE DES

EXTREME LAS PRECAUCIONES CUANDO ESTÉ CERCA DE LOS RODILLOS. EXISTE LA POSIBILIDAD DE SUFRIR UNA DESCARGA ELÉCTRICA DEBIDO A LA CARGA ELECTROESTÁTICA DE ALGUNOS MATERIALES. EXTREME LAS PRECAUCIONES PARA EVITAR QUE SE ACUMULE CARGA ELECTROESTÁTICA COLOCANDO LA MÁQUINA EN EL SUELO DE MANERA CORRECTA, MANTENIENDO LA HABITACIÓN CON LA HUMEDAD ADECUADA Y USANDO OTRAS MEDIDAS ANTIESTÁTICAS.

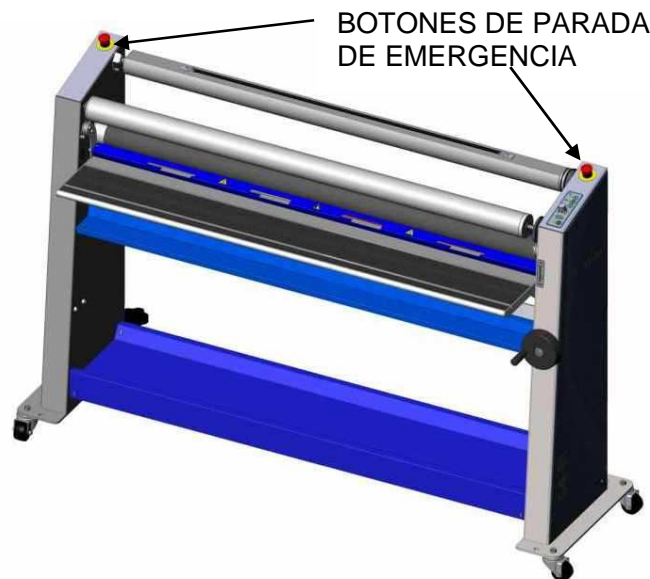


Figura 1

2.2 Botones de parada de emergencia

Hay dos botones. Están situados en la parte superior de los armarios izquierdo y derecho. Los botones son rojos sobre un fondo redondo de color amarillo. Los botones de parada de emergencia detienen el funcionamiento de los rodillos y sólo se deben utilizar en caso de emergencia. Una vez que se pulsen, estos botones se bloquean y es necesario girarlos de nuevo para que se restablezcan antes de que la máquina pueda utilizarse de nuevo.

3 DESEMBALAJE E INSTALACIÓN

Lea y comprenda completamente todo el manual antes de comenzar a usar la laminadora.

3.1 Condiciones ambientales

Las siguientes condiciones medioambientales son las más adecuadas para que la laminadora funcione de manera óptima.

Temperatura ambiente

La temperatura más adecuada para la laminadora 54/65 EL oscila entre 16°C y 35°C (50°F y 95°F). No exponga la laminadora a la luz directa del sol ya que podría afectar a la calidad de la producción.

Humedad relativa

Para obtener los mejores resultados, la humedad relativa del aire para la laminadora 54/65 EL debe oscilar entre el 50% y el 70%.

Agua y humedad

Si la laminadora se instala en una habitación húmeda o cerca del agua, el suministro de energía eléctrica debe ajustarse a las normativas del área.

3.2 Entorno

Instale la laminadora en un entorno que esté lo más limpio posible y que no tenga polvo para que la calidad del producto final sea superior. Los materiales que se utilizan en esta laminadora pueden tener carga electrostática, por lo que pueden atraer partículas de polvo y, a su vez, afectar de manera negativa a los productos.

3.3 Alimentación eléctrica

Conecte la máquina siguiendo las instrucciones que se proporcionan en la placa de identificación colocada en la parte trasera de la misma. Consulte también las especificaciones técnicas que se incluyen en esta sección para obtener más información.

3.4 Requisitos de la zona de trabajo

- Esta unidad debe ubicarse lejos de cualquier fuente de calor como radiadores u hornos.
- La ubicación o colocación de la laminadora no debe impedir que ésta tenga una ventilación correcta.
- Debe existir espacio suficiente alrededor de la laminadora para poder introducir, sacar y recortar imágenes laminadas y/o montadas.
- El nivel de polvo acumulado en la unidad no debe superar el que se pueda encontrar normalmente en el entorno de una oficina o una sala de ordenadores.
- El área de trabajo debe ser una superficie plana, estar nivelada y bien iluminada.

3.5 Desembalaje de la laminadora

1. Corte las cintas que sujetan la caja al palé.
2. Con la ayuda de otra persona y con cuidado, levante la caja hacia arriba y saque la máquina (Observe la figura 2).
3. Retire todo el material de embalaje que quede suelto.
4. Retire los dos tornillos de madera que sostienen la rampa en su lugar.
5. Retire la rampa y el material de embalaje que la envuelve.
6. Coloque la rampa tal y como se muestra en la figura 3.
7. Extraiga los cuatro tornillos de sujeción.
8. Retire los dos bloques estabilizadores.
9. Con la ayuda de otra persona y con cuidado, empuje la máquina por la rampa.
10. Retire el material de embalaje restante y desembale el tubo de enrollado.
11. Inspeccione la máquina para detectar si tiene algún daño físico.

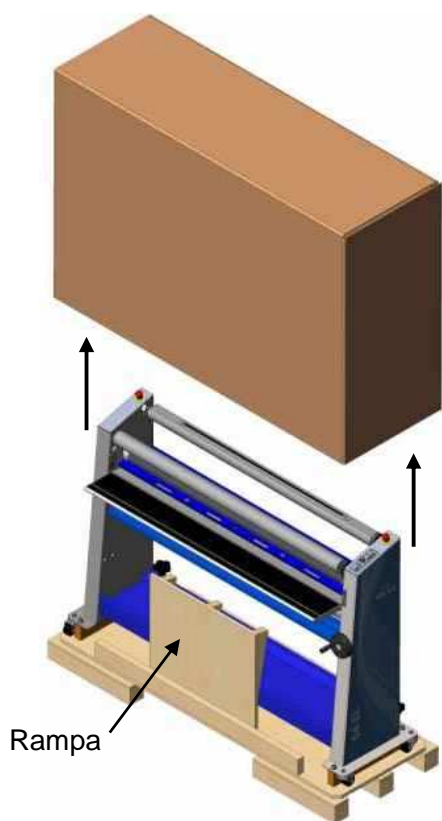


Figura 2

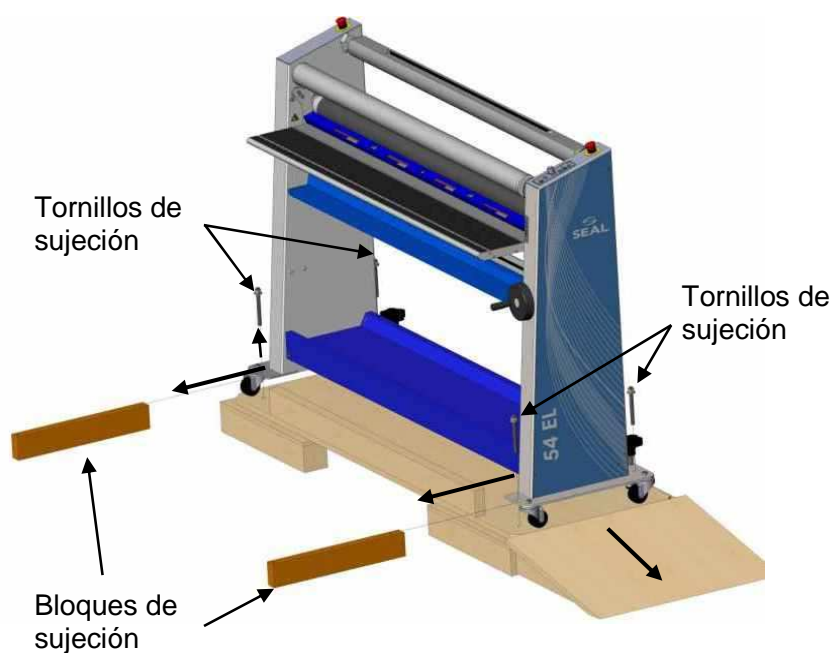
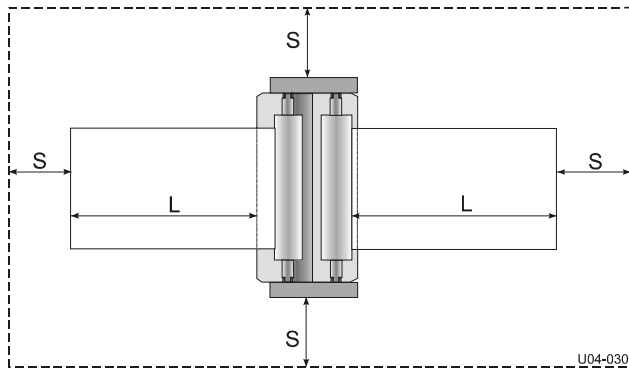


Figura 3

3.6 Instalación de la laminadora

La laminadora 54/65 EL debe instalarse en el lugar en el que se vaya a utilizar. El área debe ser una superficie plana.

La máquina debe instalarse al lado de una toma de corriente. El enchufe y la toma deben estar en un lugar de fácil acceso. Asegúrese de que enchufa la laminadora a una toma de corriente que esté conectada a tierra. La laminadora sólo debe conectarse a una toma de corriente eléctrica que pueda suministrar de manera segura el voltaje y los amperios que se especifican en la etiqueta de régimen nominal.



Nota:

Asegúrese de que la máquina, en su ubicación final, cuenta con el espacio adecuado. La máquina debe tener suficiente espacio para alimentar, recibir y recortar imágenes. Consulte la Figura 4.

L = Longitud máxima del tablero,
S = Espacio mínimo 60 cm. (24").

Figura 4: Área de trabajo

1. Mueva la máquina a la zona de trabajo que se le haya designado.
2. Instale la guía de imagen en la mesa tal y como aparece en la figura 5.
Nota: La guía de imagen es opcional en algunos modelos.
3. Instale el tubo de enrollado en el muelle de compresión del lateral derecho en primer lugar y, a continuación, inserte el lado izquierdo en el motor (figura 5).
4. Enchufe el cable de alimentación en un enchufe con toma de tierra de una instalación eléctrica adecuada.

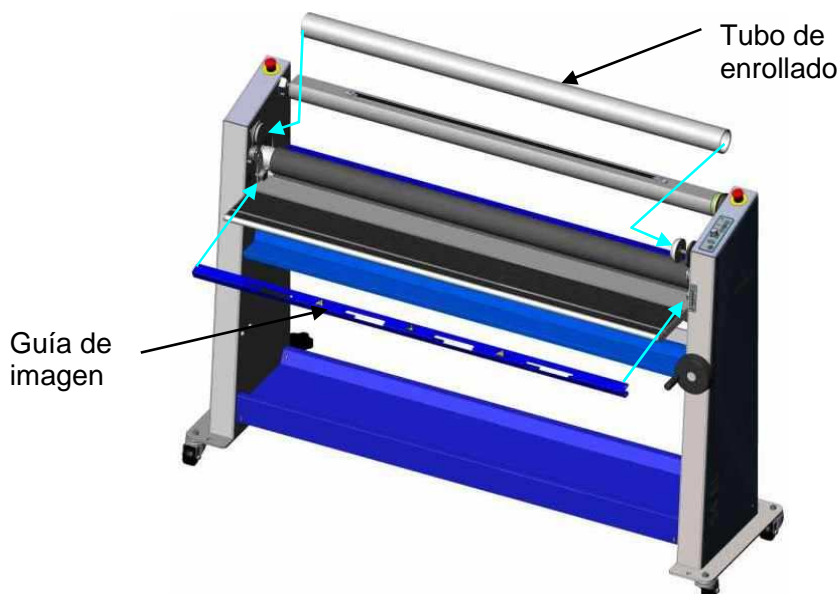


Figura 5

5. Bloquear la máquina en su lugar con la pie pisando el mecanismo de bloqueo en las ruedas delanteras (figura 6).

Nota: Una superficie desnivelada puede afectar de manera negativa a la calidad de la laminación. En el caso de que haya una superficie desnivelada, póngase en contacto con el servicio de atención al cliente para que le proporcione información sobre las opciones de nivelación de la máquina.



ADVERTENCIA:
MAQUINA DEBE ASEGURARSE EN LUGAR ANTES DE USAR.

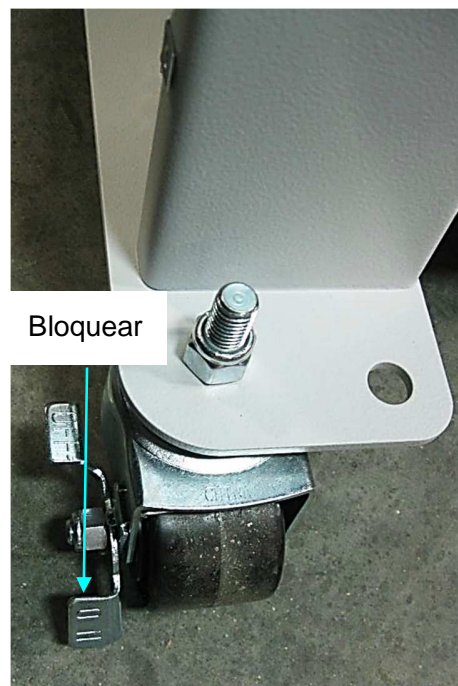


Figura 6 Palanca de cierre



ADVERTENCIA:
ASEGÚRESE DE QUE EL CABLE DE ALIMENTACIÓN ELÉCTRICA Y/O EL CABLE ALARGADOR NO BLOQUEE EL PASO ALREDEDOR DE LA MÁQUINA.

3.7 Transporte

La máquina puede transportarse por una superficie lisa sobre las ruedas.



PRECAUCIÓN:
Desbloquear las ruedas antes de mover la máquina.

Cuando mueva la máquina por superficies rugosas o cuando la desplace por distancias más largas, utilice el palé y el material de embalaje originales y mueva la unidad con un carretillo para palés o con un montacargas.

4 DESCRIPCIÓN DE LA UNIDAD

Características y ventajas de la laminadora 54/65 EL:

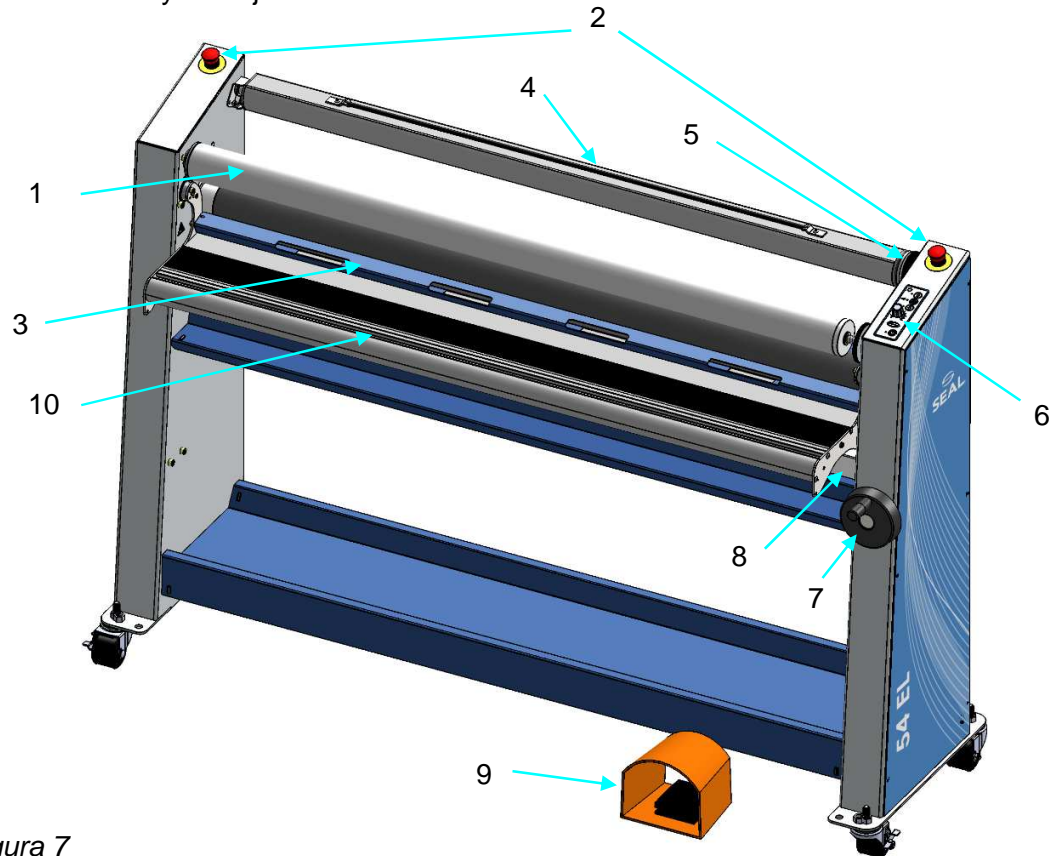
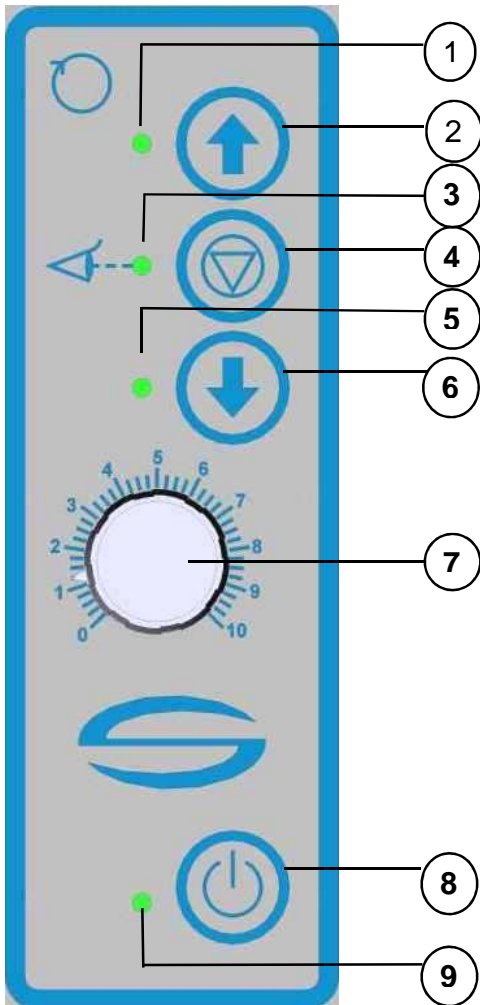


Figura 7

Identificación de las piezas		
1	Tubo de enrollado	Rodillo de enrollado para forro antiadherente
2	Botones de parada de emergencia	Para detener la máquina en caso de emergencia
3	Guía de imagen	Para ayudar a colocar las primeras imágenes. (Opcional en algunos modelos.)
4	Eje de desenrollado superior	El eje es adecuado para materiales que tengan un mandril de 76,2 mm.
5	Freno de desenrollado	Un medio fácil de usar para ajustar la tensión de desenrollado
6	Panel de control	Sirve para controlar el giro de los rodillos y el modo en espera
7	Rueda de ajuste manual de la línea de contacto	Sirve para ajustar el espacio de separación entre los rodillos
8	Eje de desenrollado inferior	El eje es adecuado para materiales con mandriles de 76,2 mm.
9	Interruptor de pedal	Sirve para accionar el modo lento
10	Mesa de alimentación	Superficie plana para colocar los materiales con los que se va a trabajar

La etiqueta de clasificación/número de serie está situada en la parte trasera de la máquina al lado de la entrada de corriente.

4.1 Panel de control



1	LED de avance	Se enciende cuando el motor avanza
2	Botón de avance	Pulsar el botón para avanzar
3	Dispositivo de seguridad óptico del LED	Se enciende cuando el haz de luz no está bloqueado. Intermitente cuando presiona el botón de parada de emergencia.
4	Botón de parada	Presione el botón para detener el motor de accionamiento
5	LED de retroceso	Se enciende cuando el motor retrocede
6	Botón de retroceso	Pulsar este botón y mantenerlo pulsado para retroceder
7	Mando de ajuste de velocidad	Para ajustar la velocidad del rodillo
8	Botón de modo en espera	Activar/desactivar (pulsar durante 2 segundos)
9	LED de encendido	Se enciende cuando la máquina está encendida

Figura 8

4.2 Control del motor

La velocidad de los rodillos se ajusta de manera continua entre 0 y 4,25 m/mín (0 y 14 ft/min). Pulsando la tecla \uparrow , los rodillos se mueven hacia delante, presionando y manteniendo pulsada la tecla \downarrow se invierte el sentido de giro de los rodillos. La tecla de parada detiene el movimiento de los rodillos. La velocidad sólo se puede ajustar cuando el motor está en movimiento en la dirección de avance y sin utilizar el interruptor de pedal.



ADVERTENCIA:

TENGA CUIDADO DE QUE LA ROPA SUELTA, EL PELO LARGO, LAS JOYAS Y LOS DEDOS NO QUEDEN ENGANCHADOS ENTRE LOS RODILLOS.

4.2.1 Modo lento

La máquina dispone del modo lento, el cual puede activarse presionando el interruptor de pedal. Para mantenerse en el modo lento, mantenga presionado el interruptor de pedal. El modo lento debe utilizarse cuando la mesa de alimentación se encuentra en la posición superior. Se recomienda utilizar el modo lento siempre que esté trabajando con materiales que tengan retirada la guía de imagen.

A velocidad puede ser ajustada cuando se ejecuta en modo lento. La velocidad se puede ajustar a cero, Pero no se puede establecer cualquier superior al máximo permitido en modo lento. La posición de la perilla de velocidad será sobre las mismas que en modo normal para producir la misma velocidad.



ADVERTENCIA:

SI LA MÁQUINA ESTÁ FUNCIONANDO EN EL MODO LENTO, COLOCARSE DELANTE DE LOS SENSORES FOTOELÉCTRICOS NO HARÁ QUE LA MÁQUINA SE DETENGA. EN EL MODO LENTO, SE ESCUCHARÁ UN PITIDO Y LA VELOCIDAD DEL RODILLO DISMINUIRÁ. AL SOLTAR EL INTERRUPTOR DE PEDAL, LA MÁQUINA SE DETENDRÁ.

Para pasar del modo lento al modo de avance normal si detener la máquina (y evitar así que se forme una marca de parada), realice los siguientes pasos:

- Durante el modo lento (mantenga el interruptor de pedal presionado) y pulse y mantenga el botón $\hat{\uparrow}$ (avance) en el panel de control.
- A continuación, suelte el interruptor de pedal. La máquina continuará funcionando con la velocidad predeterminada.
- Finalmente, suelte el botón $\hat{\uparrow}$ (avance).

Para pasar del modo de avance normal al modo lento sin detener la máquina, realice los siguientes pasos:

- Presione el interruptor de pedal
Nota: Al soltar el interruptor de pedal, la máquina se detendrá.

4.2.2 Poner la máquina en el modo de retroceso



ADVERTENCIA:

MANTENGA DESPEJADA LA LÍNEA DE CONTACTO DE LA PARTE TRASERA CUANDO LA MÁQUINA ESTÉ FUNCIONANDO EN EL MODO DE RETROCESO.

Para invertir el sentido de rotación de los rodillos, pulse el botón $\hat{\downarrow}$ (retroceso). Mientras el botón esté presionado, la máquina avanzará en sentido de retroceso a una velocidad de 1 m/min. Para detener la máquina, suelte el botón.

Los rodillos dejan de girar cuando:

- Se interrumpe el haz de la célula fotoeléctrica situada delante de los rodillos principales.
Nota: Esto NO sucede cuando se utiliza el interruptor de pedal (modo lento).
- Se pulsa el botón de parada.
- Se presiona el interruptor de pedal durante un espacio de tiempo corto.
- Se ajustan demasiado las tensiones de desenrollado (el motor se apagará electrónicamente y el LED de avance parpadeará; pulse el botón de parada en el panel de control para restablecerlo).
- Se pulsa el botón de parada en el panel de control.

4.2.3 Frenos de desenrollado

Apriete el freno de desenrollado para aplicar la suficiente tensión para que la máquina pueda laminar. Si gira el anillo estriado del freno en el sentido contrario al de las agujas del reloj, aumentará la tensión del freno que se aplica a la laminación. Si gira el anillo en el sentido de las agujas del reloj, la tensión disminuirá. La mejor configuración para ajustar la tensión del freno la determinan los materiales que esté utilizando y aprenderá a utilizar la más adecuada a través de la experiencia.

4.2.4 Ajuste de la línea de contacto de los rodillos

Siempre que realice el montaje sobre un panel, etc., es importante que ajuste los rodillos para crear un espacio casi igual al grosor del sustrato que se está utilizando. Este proceso se debe realizar para que cualquier producto que pase por los rodillos reciba la presión correcta y así evitar que se dañe el sustrato que se está montando (y probablemente los rodillos).

Si gira la rueda de ajuste manual de la línea de contacto en el sentido contrario al de las agujas del reloj, el rodillo superior bajará, y si los gira en el sentido de las agujas del reloj, el rodillo superior se elevará.

Cómo ajustar la línea de contacto:

Determine el grosor del sustrato que va a utilizar para realizar el montaje. Preconfigure la altura de la línea de contacto girando la rueda de ajuste manual de la línea de contacto en el sentido de las agujas del reloj hasta que el indicador de altura de la línea de contacto supere el grosor del tablero.

Inserte el borde delantero del sustrato en la línea de contacto de manera manual. Baje el rodillo superior girando la rueda de ajuste manual de la línea de contacto en el sentido contrario al de las agujas del reloj hasta que el rodillo superior toque el sustrato con la suficiente presión como para que el sustrato no se pueda mover de lado a lado. Utilice el modo de retroceso para retirar el sustrato de la línea de contacto si es necesario.

Para que las películas giren, mueva la rueda de ajuste manual de la línea de contacto en el sentido contrario al de las agujas del reloj hasta que la línea de contacto esté totalmente cerrada y, a continuación, continúe hasta que la rueda de ajuste manual de la línea de contacto gire libremente.

4.2.5 Almacenamiento de la guía de imagen

Cuando no se esté utilizando, la guía de imagen se puede guardar en el soporte transversal superior o, de manera alternativa, en el soporte transversal inferior. Nota: La guía de imagen es opcional en algunos modelos.

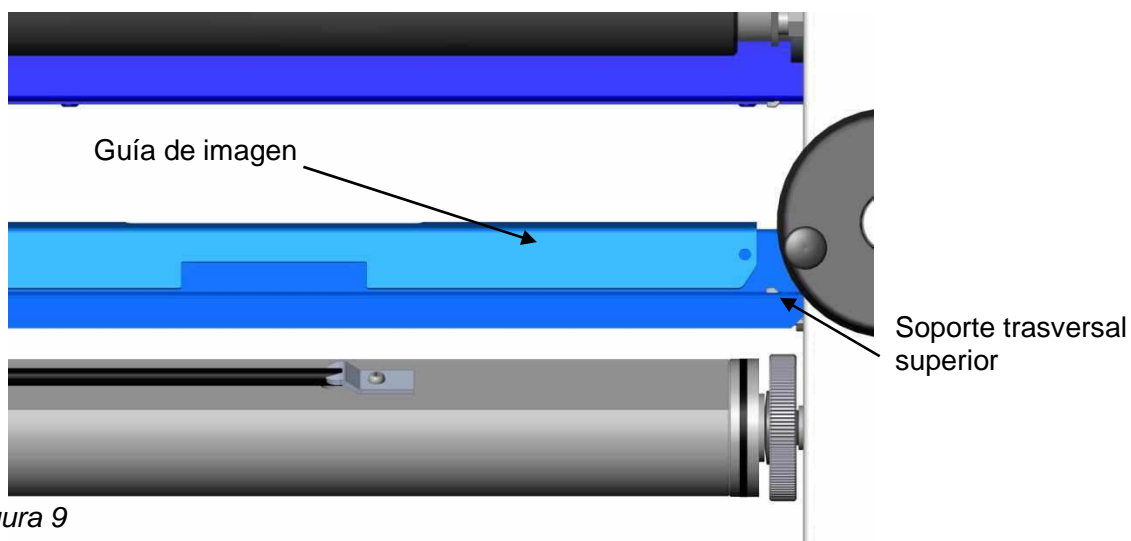


Figura 9

5 PROCESOS DE LA APLICACIÓN

5.1 Principios del proceso

En todos los procesos, los materiales se introducen a través de la línea de contacto desde la parte delantera y a continuación se unen debido a la presión.

En la figura 11 se muestra un proceso que saca el máximo provecho de la máquina. La figura muestra un proceso de laminación de doble cara (autoadhesivo).

La película de revestimiento superior es una película sensible a la presión con forro antiadherente (3) tomada de un rollo de material colocado en el eje de desenrollado superior (trasero) (5). La película de revestimiento inferior es una película sensible a la presión (montaje) tomada de un rollo de material del eje de desenrollado inferior (7). Algunos modelos tienen una barra separadora (8) para ayudar en la eliminación de trazadores de líneas de lanzamiento.

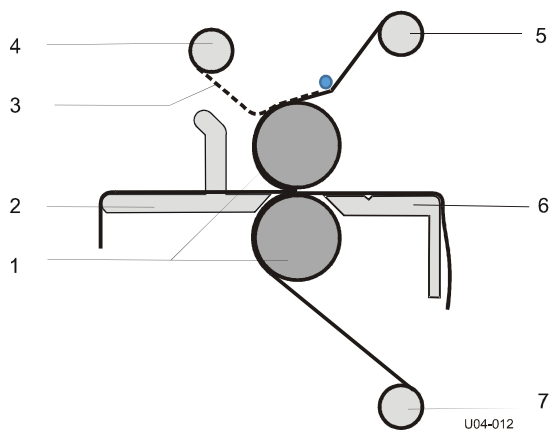


Figura 10: Creación de una etiqueta adhesiva.

La imagen que debe laminarse se introduce por los rodillos principales (1) a través de la mesa de alimentación (2).


Cuando se utiliza una lámina sensible a la presión, normalmente tiene un forro antiadherente (3) que debe ser retirado. Este forro antiadherente se enrolla en el eje de enrollado (4) en la sección superior.

Una película de montaje tiene un adhesivo en ambas caras y un forro antiadherente en una de ellas solamente. Este forro antiadherente debe permanecer en su lugar hasta que la imagen se monte.

Los siguientes pasos describen el procedimiento básico que se debe utilizar para cargar los materiales, bobinar la laminadora y ajustar la tensión del freno para los distintos materiales que se van a utilizar. Para cargar y descargar los ejes de los materiales, es necesario acceder a la máquina desde la parte trasera.

5.2 Cargar la máquina

Seleccione la/las película(s) que va a utilizar en la parte superior (e inferior) de las imágenes. La mejor opción es asegurarse de que las dos láminas y el material tengan el mismo tamaño para evitar que se produzcan problemas durante la laminación. De esta manera el material se puede recortar con un borde y se reducen los residuos.

 Procure trabajar siempre en la parte central de la máquina.

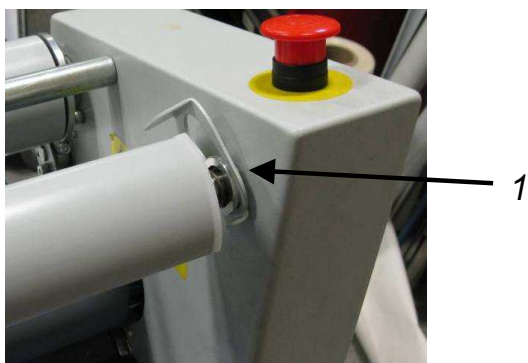


Figura 11: Leva de bloqueo subida

Figura 12: Leva de bloqueo bajada

5.2.1 Extracción de un eje de desenrollado

- Saque el eje de suministro que desee (superior o inferior) presionando para ello el brazo de la leva de bloqueo (1) hasta la posición superior (Figura 11).
- Deslice el eje de sujeción automático hacia la derecha contra la presión del muelle.
- Levante el lado izquierdo del eje y sepárelo de la laminadora y, a continuación, levante el derecho.

5.2.2 Carga de rollos de película en el eje

El rollo de película se coloca en el eje dependiendo del tipo de película y de si se va a utilizar en la sección inferior o superior de la máquina. En general, la película sensible a la presión con forro antiadherente (A) se enrolla con el forro (3) y el adhesivo (2) en la parte exterior del rodillo (1) mientras que el forro sin antiadherente (C) tiene su propia capa adhesiva dentro del rollo. No obstante, las películas sensibles a la presión norteamericanas tienen en general el forro antiadherente en el interior del rollo (B).

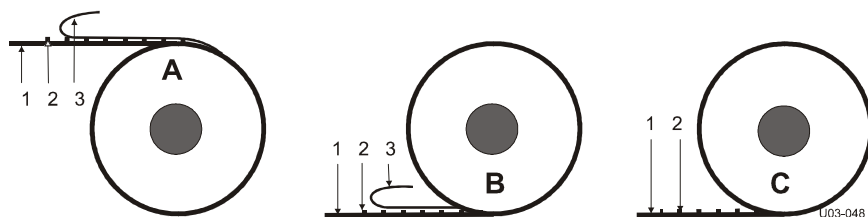


Figura 13: Rollos de película.

- En la sección superior, la cara adhesiva (2) que está en contacto con la imagen y el forro antiadherente (3) deben situarse en la parte superior cuando se desenrolle la película hacia la parte delantera de la máquina.
- En la sección inferior, la cara adhesiva (2) que está en contacto con la imagen debe estar situada en la parte inferior cuando se desenrolle la película hacia la parte delantera de la máquina.

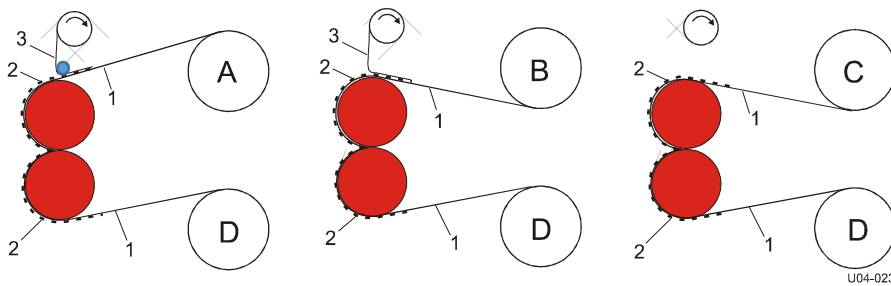


Figura 14: Adhesivos de película.

5.2.3 Carga del eje de desenrollado en una máquina

- Coloque el brazo de la leva de bloqueo en la posición superior y alinee el soporte del eje derecho tal y como se muestra en la figura 15.
- Agarre con fuerza el eje de desenrollado colocando las manos en los extremos del rollo de película para evitar que la película se salga del eje mientras se carga.
- Coloque el eje, incluyendo el material, en la laminadora e insértelo en el soporte del eje de desenrollado derecho.
- Presione el muelle hasta que pueda insertar el otro extremo del eje en el soporte del eje de desenrollado izquierdo.
- Asegúrese de que el brazo de la leva de bloqueo está colocado hacia abajo (figura 12).
- Centre el rollo de material en la laminadora.



Figura 15: Posición de la carga de desenrollado.

5.3 Bobinado de películas

La máquina debe bobinarse antes de que comience el proceso de laminación de imágenes. La máquina se puede bobinar para realizar el proceso por una sola cara o a doble cara. Cuando monta las imágenes, la máquina no está bobinada. Nota: En los procesos por una sola cara, los restos de adhesivo permanecen detrás del rodillo inferior cuando la película es más ancha que las imágenes. Para evitar esto, se puede utilizar en la parte inferior un forro antiadherente de la misma anchura que la película superior. El forro antiadherente se puede separar de manera sencilla más adelante. O bien, puede utilizar una película con la misma anchura que la imagen.

Cuando esté procesando paneles, se necesita un panel guía (panel secundario igual al panel que se va a procesar) para introducir la película.

5.3.1 Ajuste previo de la tensión

Para dejar que la película se desenrolle sin que se formen arrugas, puede ajustar el freno de tensión.

En el lateral derecho (panel de control) de la máquina, encontrará un botón de control de la tensión para cada eje. Gire el botón de control de tensión en el sentido contrario al de las agujas del reloj (de arriba hacia atrás) para ajustar la tensión o gírelo en el sentido de las agujas del reloj (de arriba hacia adelante) para liberar la tensión.

Cuando la película se bobina, se recomienda ajustarla con una tensión baja en cada eje girando el botón en el sentido contrario al de las agujas del reloj hasta que sienta que hay resistencia. La película debe estar bien ajustada aunque debe poder retirarse de manera manual sin aplicar demasiado esfuerzo.

Si se aplica demasiada tensión de desenrollado, es posible que los materiales se estiren demasiado e incluso pueden formarse arrugas en la lámina. Una máquina que se haya configurado de manera correcta deberá producir laminados sin arrugas con una tensión del freno mínima.

! PRECAUCIÓN:
No use nunca una cuchilla cerca de los rodillos. Si corta o raspa los rodillos, pueden resultar dañados y hacer que el rendimiento de los mismos disminuya dando como resultado un producto final de baja calidad.

5.3.2 Bobinado de una sola cara

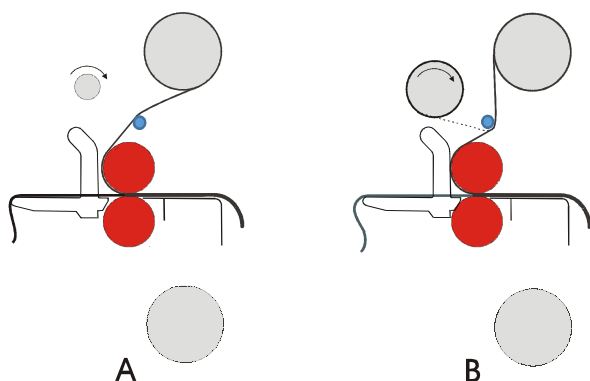



Figura 16: Bobinado de la sección superior.

1. Tire hacia fuera de la película hasta que haya aproximadamente 10 cm (4 pulgadas) en la mesa de alimentación.
2. Si la película tiene un forro antiadherente (B):
 - Instale el tubo de enrollado en la máquina.
 - Si su máquina dispone de una barra de separación, enhebrar la película debajo de la barra.
 - Quite el forro antiadherente de la esquina trasera.
 - Quite el forro antiadherente del laminado y péguelo en el tubo con cinta adhesiva.


 Puede unir un tubo de cartón vacío de un rollo de película usado al tubo de enrollado para enrollar el forro antiadherente. Esto permite quitar fácilmente el forro antiadherente del tubo de enrollado y que se pueda utilizar en otros procesos si es necesario.

3. Levante la mesa para abrirla completamente.
4. Levante el rollo superior para abrirlo completamente.
5. Desde la parte trasera de la máquina, tire de la película a través de la línea de contacto y péguela en la mesa de salida-alimentación. Asegúrese de que la película queda lisa en el rollo superior. Aplique más fuerza en el freno de desenrollado si es necesario.
6. Si está utilizando el eje de desenrollado inferior para introducir imágenes o para quitar el forro antiadherente:
 - Inserte el material en la línea de contacto asegurándose de que éste queda liso en el rollo inferior.
 - Coloque el material en su lugar con una mano.
 - Baje el rollo superior hasta la posición (cero) totalmente cerrado.

Nota: Utilice un forro antiadherente del desenrollado inferior o un panel portador cuando esté procesando imágenes finas.

7. Baje la posición de la mesa al máximo.

8. Si está introduciendo imágenes de hojas cortadas:
 - Coloque un papel sobrante en la línea de contacto que tenga la misma anchura que el laminado y 30 cm (12 pulg.) de largo aproximadamente.
 - Coloque el papel sobrante en su lugar con una mano.
 - Baje el rollo superior para que quede en la posición totalmente cerrada (cero).
 - Coloque las imágenes en el papel sobrante o en el extremo de la última imagen.

 Cuando corte hojas de papel con imágenes, deje siempre suficiente papel sobrante para colocar algo de material en la línea de contacto para que sea posible recortar la imagen laminada desde la parte trasera de la máquina. La película no debe tocar nunca el rollo inferior.

9. Quite la película de la mesa de alimentación-salida (paso 6) y doble hacia arriba la parte inferior del laminado para evitar que se pegue en la mesa de nuevo.
10. Use el interruptor de pedal para iniciar el proceso y, a continuación, cambie al modo de avance normal con el botón de avance cuando esté listo.

5.3.3 Bobinado a doble cara

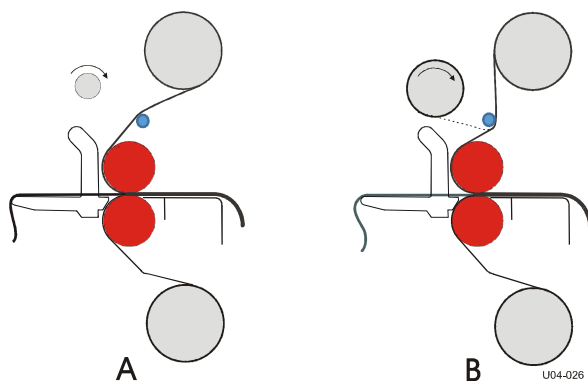



Figura 17: Bobinado de la sección superior e inferior.

La película de la sección superior se enrolla primero

1. Tire de la película hacia fuera hasta que llegue prácticamente hasta la mesa de alimentación y colóquela de manera horizontal en el rodillo superior.
2. Si la película tiene un forro antiadherente (B):
 - Instale el tubo de enrollado en la máquina.
 - Si su máquina dispone de una barra de separación, enhebrar la película debajo de la barra.
 - Quite la esquina trasera del forro antiadherente.
 - Quite el forro antiadherente del laminado y péguelo en el tubo con cinta adhesiva.

 Puede unir un tubo de cartón vacío de un rollo de película usado al tubo de enrollado para enrollar el forro antiadherente. Esto permite que el forro antiadherente se retire del tubo de enrollado de manera sencilla y que se pueda utilizar en otros procesos si es necesario.

Bobinado de la sección inferior

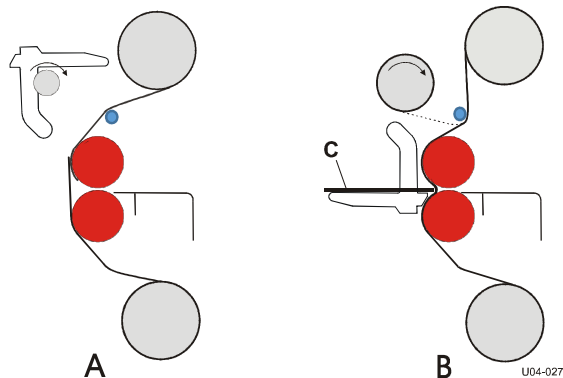


Figura 18: Bobinado de la sección inferior.

3. Levante la mesa de alimentación y colóquela en la posición superior (A).
4. Desenrolle la película del rollo de desenrollado inferior.
5. Tire de la película hacia fuera hasta que el extremo sobrepase la línea de contacto y péguelo en la película desde la sección superior.
6. Baje la mesa de alimentación.
7. Ajuste la altura de la línea de contacto aproximadamente con el grosor del panel guía.
8. Empuje las películas con un panel guía (C) e insértelas en la línea de contacto usando el modo lento (B).
9. Cuando el panel guía haya salido totalmente de la línea de contacto, baje el rodillo superior hasta que se cierre completamente (altura de la línea de contacto = 0).
10. Use el interruptor de pedal para iniciar el proceso y, a continuación, cambie al modo de avance normal usando el botón de avance cuando esté listo.

5.4 Procesos y ajustes

5.4.1 General

Si desea obtener información actualizada sobre los procesos de los materiales SEAL®, consulte la página www.sealgraphics.com.

5.4.2 Paneles de encolado previo

Este proceso se utiliza para encolar los paneles (sustratos) con una película de montaje sensible a la presión en la que las imágenes se pueden montar. Este proceso también se puede utilizar para crear un panel portador (deslizante). En este caso se utiliza una película con adhesivo en ambas caras con un forro antiadherente.

Nota: La película de montaje se proporciona normalmente con un forro antiadherente. Coloque la película en la sección superior y bobínela como si no tuviera forro antiadherente (consulte la sección 5.3.2 para obtener más información).

1. Coloque el rollo de película de montaje en el eje de la posición de desenrollado superior.
2. Retire la guía de imagen.
3. Levante el rollo superior para abrirlo completamente.
4. Saque la película a través de la línea de contacto y colóquela en la mesa de alimentación.
5. Inserte un panel guía en la línea de contacto que tenga el mismo material, grosor y anchura que los paneles que se van a procesar.
6. Baje el rollo superior hasta que toque el panel guía y continúe hasta que ya no pueda mover la guía de lado a lado con la mano.

7. Coloque el panel para prepararlo para el encolado previo en el panel guía y utilice el interruptor de pedal para iniciar el proceso. El motor se puede poner en el modo de avance utilizando el botón de avance cuando el proceso se esté realizando de manera lenta.

Nota: Cuando tenga que realizar el encolado previo de más paneles, colóquelos de manera continua sin dejar espacios.

8. Corte los paneles usando un cúter para que dejen despejada la línea de unión situada en la parte trasera de la máquina.
9. Finalice con un panel guía e introduzca este panel hasta que el panel anterior esté fuera de la línea de contacto.

PRECAUCIÓN:

No corte la película demasiado cerca de los rodillos. Esto podría dañar la capa de silicona de los rodillos con lo que la garantía quedaría anulada.

10. Cuando haya finalizado, dé la vuelta al panel guía usando el modo de retroceso.
11. Corte la película usando un cúter de seguridad.

El panel ahora tiene una capa adhesiva lista para montar una imagen. Consulte la sección 5.4.3 para montar imágenes.

5.4.3 Montar imágenes o etiquetas adhesivas

En este proceso, la película no se encuentra bobinada en la máquina.

- Cuando monte las imágenes en un panel de encolado previo (B), el adhesivo está colocado en el lado de montaje del tablero.
- Cuando monte etiquetas adhesivas (A), el adhesivo está en la parte trasera de la imagen.

El proceso de montaje es igual en ambos casos.

1. Retire el eje de desenrollado de la posición delantera superior.
2. Retire la guía de imagen.
3. Ajuste la línea de contacto (consulte la sección 4.4).
4. Coloque el panel en la mesa de alimentación.
5. Coloque la imagen en la parte superior del panel (imagen boca arriba). Dé la vuelta a la imagen del lado de la máquina (1).
6. Despegue aprox. 25 mm (1,0 pulg.) de forro antiadherente (2) por el lado de la máquina y péguelo de manera uniforme de dentro hacia fuera.

La calidad final depende de la manera en la que el borde delantero de la imagen se coloque en el panel.

7. Coloque la imagen (3) en el panel (C).
8. Inserte el borde con la imagen pegada a la línea de contacto (D).
9. Coloque el extremo suelto (4) de la imagen con suavidad sobre el rodillo superior.
10. Use el interruptor de pedal para iniciar/detener el modo lento, de manera que pueda mantener las manos libres.

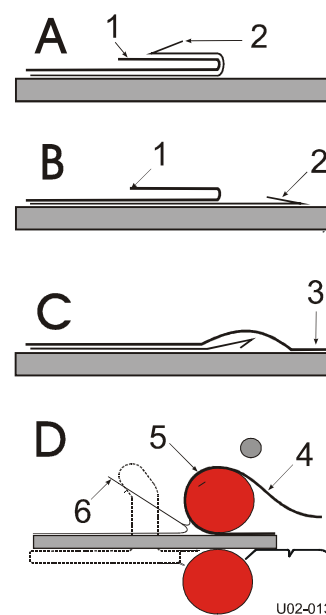


Figura 19: Montar imágenes o etiquetas adhesivas



ADVERTENCIA:

MANTENGA LOS DEDOS ALEJADOS DE LA LÍNEA DE CONTACTO. EL DISPOSITIVO ÓPTICO DE SEGURIDAD NO FUNCIONA CUANDO UTILICE EL INTERRUPTOR DE PEDAL EN EL MODO LENTO.

11. Con la mano izquierda, retire el forro antiadherente (6) de la imagen o del panel a medida que el material se introduce lentamente en la línea de contacto sin detenerse.

Nota: Si retira el forro antiadherente completamente, expondrá el adhesivo al polvo y a la suciedad, y está quedará atrapada debajo de la imagen.

12. Con la mano derecha, aplaste la imagen en el rodillo superior (5) para que quede lisa procurando que no se formen arrugas en la misma.



Para obtener los mejores resultados, no pare mientras la imagen se está introduciendo.

5.4.4 Sobrelaminado

Una vez que la imagen se monta en un panel, se puede colocar una lámina de protección. Este proceso es igual al que se lleva a cabo cuando se realiza el encolado previo de un panel (sección 5.4.2). El sobrelaminado puede tratarse de una película de laminado sensible a la presión.

Nota: SEAL® recomienda crear etiquetas adhesivas (consulte la sección 5.4.6) ya que éstas protegen mejor la impresión que necesita montaje.

5.4.5 Laminado de una sola cara

Las imágenes se pueden laminar por una sola cara con o sin los paneles portadores (deslizantes). El tipo de laminado debe ser una película sensible a la presión con o sin forro adhesivo.

La desventaja del proceso de laminado por una sola cara son los restos de adhesivo que pueden quedar detrás de los rodillos donde no hay una imagen.

Para evitar este problema, se pueden utilizar forro antiadherente o paneles portadores. O bien, la imagen debe ser más ancha que la lámina y los trozos de material sobrante deben estar en la línea de contacto para iniciar o finalizar el proceso.

Uso de forro antiadherente (recomendable)

- Use un rollo de forro antiadherente en la sección inferior.
- Bobine la sección superior e inferior de la máquina tal y como se ha descrito anteriormente (sección 5.3.2.)

Cuando las imágenes se cortan en el producto final, el forro antiadherente se separará de la imagen automáticamente.

Uso de paneles portadores (deslizantes)

- Bobine la sección superior de la máquina tal y como se ha descrito anteriormente (sección 5.3.2.)
- Coloque la imagen en un panel portador con la imagen boca arriba y realice los pasos necesarios para preencolar un panel (sección 5.4.2).

5.4.6 Etiqueta adhesiva

Cuando esté creando etiquetas adhesivas, debe colocar una lámina sobre la imagen así como un adhesivo en la parte trasera de la misma.

1. Cargue y bobine las películas de laminado en la sección superior e inferior tal y como se describe en la sección 5.3.3.
2. Introduzca las imágenes por la línea de contacto dejando un espacio entre una y otra.
3. Corte el resultado con un cúter de seguridad cuando las imágenes estén fuera de los rodillos.

Esta etiqueta adhesiva se puede montar más tarde en un panel o en otro sustrato.

5.5 Descarga

Para descargar la máquina:

1. Corte el resultado después de que salga la última imagen (panel que sale después del panel guía).
2. Corte ambas películas 25 mm por encima de la superficie del rodillo usando un cúter de seguridad.
3. Abra la línea de contacto y retire las películas (y el panel guía) de los rodillos en la parte trasera.

Para descargar un rollo del eje:

4. Saque el eje de sujeción automático (consulte la sección 5.2.1).
5. Quite el rollo de material del eje de sujeción automático

6 LIMPIEZA/MANTENIMIENTO

La máquina debe limpiarse de manera periódica. La suciedad y el polvo tienen un efecto negativo en el resultado de los procesos de laminado.



PRECAUCIÓN:

No utilice materiales abrasivos para limpiar la máquina. Si lo hace, pueden resultar dañadas las superficies pintadas o la capa de silicona de los rodillos.

Use un paño húmedo para realizar la limpieza.



PRECAUCIÓN:

Asegúrese de que el agua no entra en ninguno de los armarios. Si el agua entra, es posible que resulten dañados los circuitos eléctricos cuando se aplique corriente.

Limpe el exterior de la máquina con un paño húmedo cuando sea necesario. Si es necesario, utilice una solución de limpieza casera para eliminar las manchas difíciles.

Limpe los ejes y las cuerdas de goma cuando sea necesario.

6.1 Limpieza de los rodillos recubiertos de silicona

Los rodillos deben limpiarse de manera regular para evitar que se acumulen residuos. Esto puede causar daños en los rodillos.

Use un paño húmedo que no deje pelusa para quitar el polvo y cualquier tipo de suciedad.

Las manchas difíciles se pueden eliminar con la ayuda de alcohol de isopropilo y un paño limpio que no deje pelusas.

No vierta el alcohol de isopropilo directamente sobre la máquina.



ADVERTENCIA:

EL ALCOHOL DE ISOPROPILO ES ALTAMENTE INFLAMABLE. EL PUNTO DE IGNICIÓN DEL ALCOHOL DE ISOPROPILO ES 11°C (51,8°F). LA TEMPERATURA DE IGNICIÓN ES DE 400°C (752°F).

6.2 Mantenimiento preventivo

Las máquinas SEAL® están diseñadas para que necesiten poco mantenimiento (preventivo) aparte de la limpieza.

Es necesario realizar las siguientes comprobaciones:

- Ejes de sujeción automática con cuerdas de bloqueo.

6.2.1 Ejes de sujeción automática

Compruebe el mecanismo de sujeción automática de cada eje.

- La distancia (d) entre la cuerda de goma y el eje plano debe ser de $8 \pm 2,5$ mm mínimo.

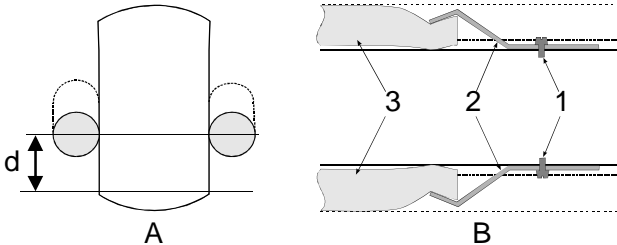


Figura 20: Eje de sujeción automático

Si no, realice los siguientes pasos:

- Afloje la abrazadera (2) con el tornillo (1) hasta que la cuerda se suelte de un lado.
- Acorte la cuerda cortándola aproximadamente 10 mm (0,4 pulgadas).
- Vuelva a colocar el extremo de la cuerda por debajo de la abrazadera (2).
- Sujétela apretando el tornillo (1).

7 SOLUCIÓN DE PROBLEMAS

Lista de problemas comunes y soluciones que el usuario puede aplicar.

Problema	causa	solución
El LED de encendido no se activa cuando la máquina está encendida.	No hay alimentación	Compruebe si el cable de alimentación está enchufado a la toma de corriente. Compruebe el fusible de alimentación principal cerca de la entrada de energía.
Tanto el delantero y el LED parpadean inversa	El voltaje del suministro motor es demasiado bajo o demasiado alta.	Reajustar el poder. Llame a su servicio técnico.
El LED de avance o retroceso está parpadeando	El motor de accionamiento ha sufrido una sobrecarga	Detenga la máquina y, a continuación, vuelva a arrancarla. Trate de bajar la tensión de la película.

Si desea recibir asistencia técnica, póngase en contacto con su representante de mantenimiento técnico (consulte la sección 8.2).

7.1 Solución de problemas de los procesos

A lo largo del proceso, es posible que aparezcan arrugas en la imagen (1) en la mesa de alimentación (2) y en el resultado del proceso (4) en la mesa de salida.

Las figuras que se muestran a continuación muestran algunos ejemplos en los que se forman arrugas a causa de los rodillos principales (3) y se proporcionan posibles soluciones.

Espere hasta que se procesen unos metros del producto para ver los resultados.

Para obtener los mejores resultados, procure trabajar siempre en el centro de la máquina.

Presión demasiado alta.

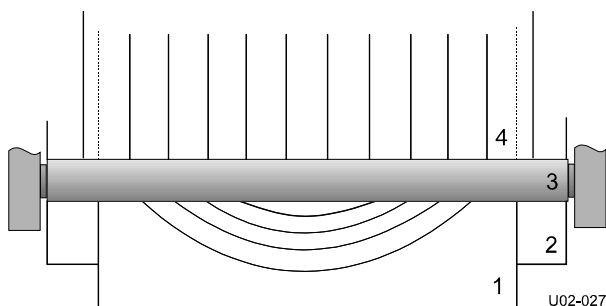


Figura 21: Arrugas formadas debido a una presión demasiado alta.

- Póngase en contacto con su distribuidor para solicitarle asistencia técnica.

Presión demasiado baja.

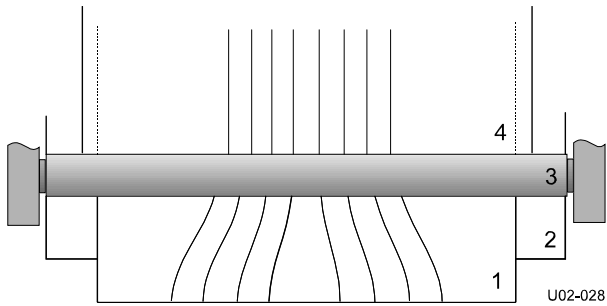


Figura 22: Arrugas formadas debido a una presión demasiado baja.

- Póngase en contacto con su distribuidor para solicitarle asistencia técnica.

Tensión de desenrollado demasiado baja.

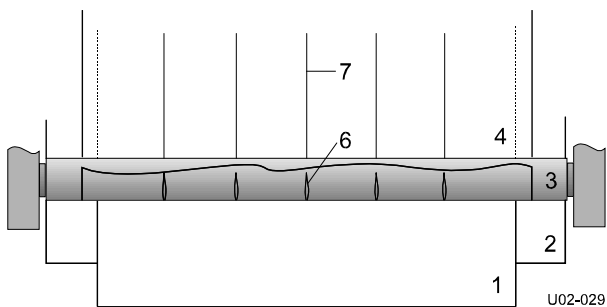


Figura 23: Arrugas formadas debido a una tensión de desenrollado baja.

- Aumente la tensión de desenrollado hasta que las arrugas (6) de la película del rollillo desaparezcan. Las líneas (7) desaparecerán también en el producto del proceso.

Alineación incorrecta del rodillo.

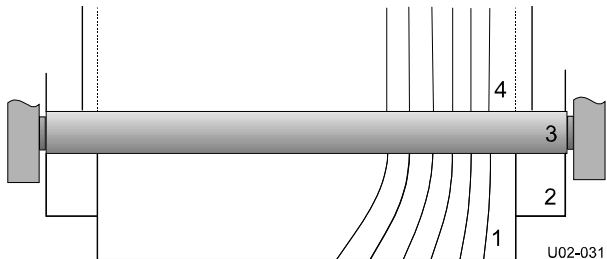


Figura 24: Arrugas formadas debido a una alineación incorrecta del rodillo.

Las arrugas sólo se han formado por una de las caras (izquierda o derecha).

- Póngase en contacto con su distribuidor para solicitarle asistencia técnica.


7.2 Asistencia técnica

Si desea recibir asistencia técnica, puede ponerse en contacto con su distribuidor o consultar la página www.sealgraphics.com para obtener información. Tenga preparada una descripción clara del problema antes de ponerse en contacto con el departamento de asistencia técnica.

Tenga a mano el número de serie y el tipo de máquina. Puede encontrar estos datos en la placa de identificación de la máquina que está ubicada en la parte trasera del compartimento derecho.

8 PROCESS CONTROL SHEET

Note: We recommend that you make a photocopy of this page. With each successfully run application, record the process and settings and a diagram of the webbing procedure. Keep the record so the application can be repeated at a later date.

 If a standard image is made available for each new process then sales materials and samples can be developed for reference.

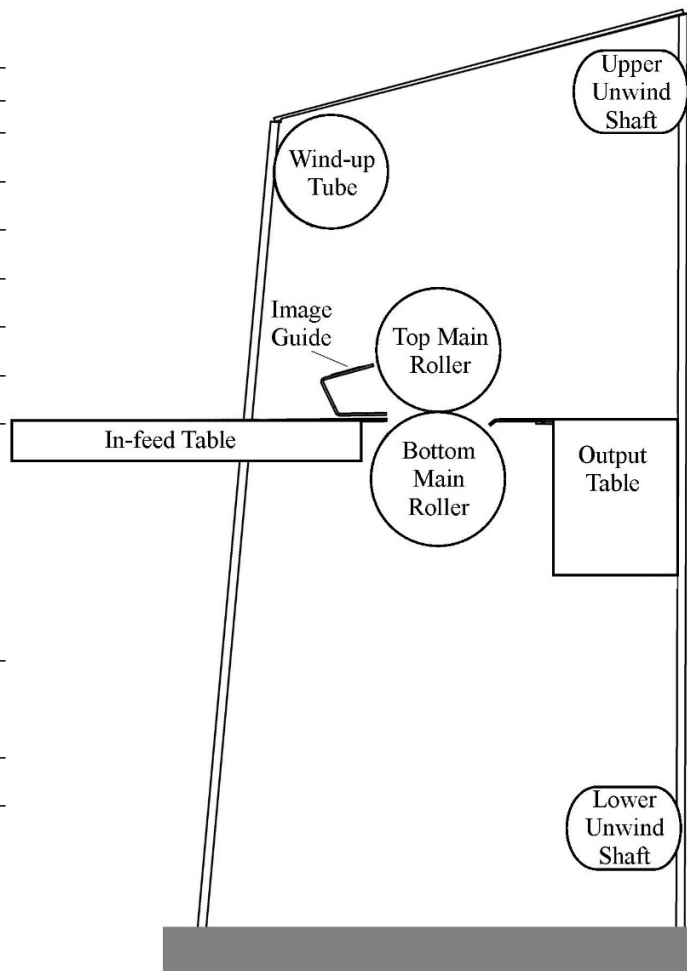
LAMINATOR SETTINGS

Media: _____

 Process: _____
 Application Use: _____
 Upper Unwind Shaft: _____
 Lower Unwind Shaft: _____
 Wind-up Tube: _____
 Motor Speed Setting: _____

WEBBING SETTINGS

Web Tension Upper Unwind Shaft:
 Light / Med. / Heavy _____
 Web Tension Lower Unwind Shaft:
 Light / Med. / Heavy _____
 Nip Height: _____



Español

Figure 25: Blank Webbing Diagram

9 GLOSARIO DE TÉRMINOS

Encolado previo

Proceso de revestimiento de un sustrato con una película de montaje adhesiva en la que se puede montar la imagen.

Etiqueta adhesiva

Una imagen que se ha laminado en la parte superior con un adhesivo en la parte trasera (bien activado por calor o por sensibilidad a la presión).

Forro antiadherente

Parte trasera de una lámina sensible a la presión o un adhesivo de montaje que evita que la laminilla se doble y se pegue a sí misma. Una vez separado el forro antiadherente, la capa adhesiva queda expuesta.

Laminación sensible a la presión

Laminación con adhesivo que forma una unión entre la película protectora y la superficie de la imagen que se va a laminar cuando se aplique la presión. Se utiliza principalmente para aplicaciones de montaje rápido y se recomienda utilizarlo en impresiones fotográficas e impresiones térmicas sensibles al calor.

Línea de contacto

El punto en el que se unen los rodillos inferior y superior.

Mecanismo de alimentación

Lateral de la laminadora por el que se introducen las imágenes.

Mil

Se refiere al grosor del laminado en 1/1000 décimas de una pulgada.

Montaje

Fijar una imagen en un tipo de sustrato o panel de espuma.

Panel guía

Trozo de panel de espuma de aproximadamente 1 m (40 pulg.) x 10 cm (4 pulg.) que se utiliza para introducir las películas en la línea de contacto. También se utiliza para montar o realizar el encolado previo de los paneles para evitar que el adhesivo entre en los rodillos y en los bordes de sellado.

Panel portador (deslizante)

Un panel liso e irrompible (preferiblemente de masonita) recubierto con un adhesivo de montaje y con el forro antiadherente colocado para proporcionar la superficie antiadherente necesaria. Se puede utilizar también un trozo de espuma, pero ésta no tendrá la misma duración que el panel de masonita. Los paneles portadores se utilizan al laminar una sola cara de la imagen.

Presión

Cantidad de fuerza que se ejerce sobre cualquier producto que pase entre los rodillos superior e inferior.

Salida de alimentación

Lateral de la laminadora por el que salen las imágenes completadas.

Sustrato

Material sobre el que se monta o se fija una imagen.

10 GARANTÍA LIMITADA

SEAL® garantiza al comprador original que cada nueva laminadora SEAL® que se demuestre que es defectuosa en materiales o mano de obra dentro del período de garantía correspondiente, será reparada o, si así lo estimamos, reemplazada sin ningún gasto para usted. Los rodillos principales sólo están bajo garantía en lo referente a defectos de fabricación ya que los rodillos están sujetos a un desgaste natural que depende del uso de la máquina. Esta garantía no se aplicará si se averigua que en algún momento el equipo no se ha usado con el fin para el que ha sido diseñado.

Por “comprador original” se entiende la persona que compró por primera vez el producto cubierto por esta garantía para cualquier otro objetivo que no sea la reventa. La garantía sólo puede ampliarse y aplicarse por parte del comprador original y sólo durante el período (durante el plazo de aplicación) que el producto permanezca en posesión del comprador original.

La garantía impresa en este manual no es vinculante y es posible que no sea la más apropiada para su área. Si desea obtener información específica relacionada con la garantía, póngase en contacto con su distribuidor o consulte la página www.sealgraphics.com.

ATENCIÓN

CUALQUIER MODIFICACIÓN O CAMBIO SIN LA APROBACIÓN PREVIA POR ESCRITO DEL FABRICANTE PODRÁ ANULAR LA AUTORIDAD DEL USUARIO DE UTILIZAR EL EQUIPO.

ATENCIÓN

CUALQUIER MODIFICACIÓN O CAMBIO NO AUTORIZADO EN ESTA UNIDAD SIN NUESTRA APROBACIÓN PREVIA POR ESCRITO ANULARÁ LA GARANTÍA DEL USUARIO Y TRANSFERIRÁ LAS OBLIGACIONES RELACIONADAS CON LA SALUD Y LA SEGURIDAD LABORAL AL USUARIO.

Nota:

Este equipo ha sido probado y se ha demostrado que cumple con las limitaciones correspondientes a un dispositivo digital de la Clase A, según lo establecido en la sección 15 de las disposiciones de la FCC. Estas limitaciones se han establecido para proporcionar la protección necesaria contra cualquier tipo de interferencias perjudiciales cuando el equipo se utilice en entornos comerciales. Este equipo genera, utiliza y puede desprender energía de radiofrecuencia. Si no se instala y se utiliza siguiendo las instrucciones que se especifican en el manual del usuario, es posible que se puedan producir interferencias perjudiciales en las comunicaciones por radio. Es probable que si el equipo se utiliza en áreas residenciales, éste pueda causar interferencias perjudiciales; en este caso, el usuario deberá corregir la interferencia corriendo el mismo con los gastos que ello ocasione.

11 ÍNDICE

B	
brazo de la leva de bloqueo.....	102
C	
Condiciones medioambientales.....	93
D	
Declaración de responsabilidad.....	88
Dimensiones.....	91
E	
Especificaciones técnicas.....	91
G	
Glosario de términos	114
Guía de imagen	100
L	
Línea de contacto.....	91
P	
Peso	91
polea de guía de enrollado.....	100
Presión del rodillo.....	91
Procesos de la aplicación.....	101
R	
Requisitos de la zona de trabajo	93
S	
Símbolos estándar	88
V	
Velocidad.....	91
Velocidad máx.....	91

Introduzione

La ringraziamo per aver acquistato una laminatrice SEAL® 54/65 EL, progettata per offrire un funzionamento affidabile e duraturo. Seguendo le linee guida riportati in questo manuale per l'utilizzo e la manutenzione, potrete contare su molti anni di funzionamento senza alcun problema.

La laminatrice 54/65 EL è conforme alle direttive CE (2004/108/EC, e 2006/95/EEC) e RoHS. La laminatrice è anche ETL listed per gli USA (UL 60950-1) e il Canada (CSA C22.2 60950-1).

Dichiarazione di uso consentito.

La laminatrice 54/65 EL è stata progettata per l'uso con materiali SEAL®. Se usata con questi prodotti, potrete organizzare e laminare. La macchina non è stata collaudata con altri materiali e si raccomanda di non usarla con materiali diversi da quanto fornito da SEAL.



AVVERTENZA:

LA MACCHINA È STATA PROGETTATA PER MONTAGGIO E LAMINATURA. QUALSIASI USO DIVERSO DA QUELLO PER CUI L'APPARECCHIO È STATO PROGETTATO POTREBBE DANNEGGIARE LA MACCHINA O PROVOCARE FERITE ALL'UTILIZZATORE.

Dichiarazione di responsabilità

I dettagli forniti in questo manuale sono basati sulle informazioni più recenti disponibili. Tuttavia, tali dettagli potrebbero variare in futuro. SEAL ha il diritto di apportare modifiche alla costruzione o al progetto dei propri prodotti senza accettare alcuna responsabilità per la modifica delle versioni precedenti rilasciate in passato.

Simboli standard



Questo simbolo indica un suggerimento o altre informazioni per un uso efficace della macchina.



ATTENZIONE:

FARE ATTENZIONE A TUTTI I PASSAGGI MARCATI IN GRASSETTO. LA CONOSCENZA DI TALI INFORMAZIONI È FONDAMENTALE PER EVITARE LESIONI ALL'UTILIZZATORE E DANNI ALL'APPARECCHIATURA. LA MANCATA OSSERVANZA DI QUESTE INFORMAZIONI POTREBBE ANNULLARE LA GARANZIA E TRASFERIRE GLI OBBLIGHI DI SICUREZZA ALL'UTILIZZATORE.

Indice

Introduzione	117
1 Caratteristiche tecniche	120
1.1 Caratteristiche tecniche	120
1.2 Opzioni	121
2 Misure di sicurezza importanti	121
2.1 Simboli di sicurezza usati sul laminatore	121
2.2 Pulsanti di emergenza	121
3 Apertura dell'imballo e installazione	122
3.1 Condizioni ambiente	122
3.2 Ambiente circostante	122
3.3 Alimentazione	122
3.4 Requisiti del luogo di lavoro	122
3.5 Apertura dell'imballo della laminatrice	123
3.6 Installazione della laminatrice	124
3.7 Trasporto	125
4 Descrizione della macchina	126
4.1 Pannello dei comandi	127
4.2 Controllo motore	127
4.2.1 Modalità lenta	128
4.2.2 Funzionamento inverso	128
4.2.3 Freni di svolgimento	129
4.2.4 Regolazione della distanza tra i rulli	129
4.2.5 Posizione della guida immagine non in uso	129
5 Processi di applicazione	130
5.1 Principi di un processo	130
5.2 Caricamento della macchina	131
5.2.1 Rimozione di un albero di svolgimento	131
5.2.2 Caricamento dell'albero con rulli di pellicola	131
5.2.3 Caricamento nella macchina dell'albero di svolgimento	132
5.3 Incorsatura della pellicola in macchina	132
5.3.1 Preimpostare la tensione	132

5.3.2	Incorsatura per processo su singolo lato	133
5.3.3	Incorsatura per processo su doppio lato	134
5.4	Processi e impostazioni	135
5.4.1	Generalità	135
5.4.2	Pre rivestimento dei pannelli	135
5.4.3	Montaggio immagini o decalcomanie	136
5.4.4	Sovra laminazione	137
5.4.5	Laminazione su singolo lato	137
5.4.6	Decalcomania	138
5.5	Scaricamento	138
6	Pulizia/manutenzione	138
6.1.1	Pulizia dei rulli in acciaio rivestiti in silicone	139
6.2	Manutenzione preventiva	139
6.2.1	Albero di presa automatica	139
7	Risoluzione dei problemi	140
7.1	Risoluzione dei problemi di processo	140
7.2	Assistenza tecnica	141
8	Process Control Sheet	142
9	Glossario	143
10	Garanzia limitata	144
11	Indice	145

1 CARATTERISTICHE TECNICHE

1.1 Caratteristiche tecniche

	Sistema imperiale	Sistema metrico
Larghezza utile max		
54 EL	54" massimo	1400 mm max
65 EL	65" massimo	1651 mm max
Velocità max	14"/min	4,25 m/min
Dimensioni (AxLxP)		
54 EL	48" x 71.3" x 24"	1220 x 1811 x 610 mm
65 EL	48" x 82.3" x 24"	1220 x 2090 x 610 mm
Dimensioni spedizione (AxLxP)		
54 EL	58" x 74" x 29"	1473 x 1880 x 737 mm
65 EL	61" x 88" x 30"	1549 x 2235 x 762 mm
Peso		
Peso netto		
54 EL	325 lbs	147 kg
65 EL	430 lbs	195 kg
Peso lordo di spedizione		
54 EL	434 lbs	197 kg
65 EL	544 lbs	247 kg
Diametro massimo rullo		
Svolgitore	8"	200 mm
Avvolgitore	6"	150 mm
Peso massimo rullo		
Svolgitore	85 lb	38,5 kg
Avvolgitore	35 lb	15,9 kg
Apertura rullo (min-max)	0 – 1"	0 – 25 mm
Pressione rullo	3 lb/in	0,53 N/mm
Specifiche elettriche		
USA/Canada	115 Vca, 50/60 Hz, 1 A, 115 W - presa NEMA 5-15	
Europa	230 Vca, 50/60 Hz, 0,5 A, 115 W - presa BS1363 o europea (Schuko)	
Costruzione rullo	Due rulli in acciaio rivestiti in silicone.	

* Le caratteristiche sono soggette a modifica senza avviso.

1.2 Opzioni

La versione "A" di EL 54/65 ha diverse opzioni disponibili. Le opzioni sono:

articolo	Descrizione	numero parte
1	54 EL Supporti Opzione vassoio di ingresso	5402A
2	65 EL Supporti Opzione vassoio di ingresso	6502A
3	Piedini di livellamento opzione	5406A
4	54 EL-1 Guida di immagine	5411A
5	65 EL-1 Guida di immagine	6511A

Nota: Alcune opzioni possono essere inclusi con il vostro modello.

2 MISURE DI SICUREZZA IMPORTANTI

2.1 Simboli di sicurezza usati sul laminatore



PARTI ROTANTI

RISCHIO MECCANICO. FARE ATTENZIONE IN PROSSIMITÀ DELLE PARTI ROTANTI SCOPERTE PER EVITARE LESIONI. FARE ATTENZIONE CHE PARTICOLARI COME ABITI, CAPELLI LUNGI O GIOIELLI NON RESTINO IMPIGLIATI TRA LE PARTI ROTANTI.



ATTENZIONE ALLE SCARICHE ELETTROSTATICHE

FARE ATTENZIONE IN PROSSIMITÀ DEI RULLI. PERICOLO DI SCOSSA ELETTRICA PER POSSIBILE CARICA ELETTROSTATICA INDOTTA DA ALCUNI MATERIALI. FARE ATTENZIONE PER EVITARE L'ACCUMULO DI CARICHE ELETTROSTATICHE, COLLEGARE A TERRA, MANTENERE UNA CORRETTA UMIDETTÀ AMBIENTE E USARE ALTRE PRECAUZIONI ANTI-STATICHE.



Figura 1

2.2 Pulsanti di emergenza

Sono presenti due pulsanti, montati sulla parte superiore degli alloggiamenti destro e sinistro. I pulsanti sono di colore rosso su fondo giallo circolare. I pulsanti di emergenza fermano la rotazione dei rulli e vanno usati solo in caso di emergenza. Quando uno di essi viene premuto, il pulsante si blocca e per riutilizzare la macchina deve essere sbloccato ruotandolo.

3 APERTURA DELL'IMBALLO E INSTALLAZIONE

Si consiglia di leggere attentamente l'intero manuale prima di utilizzare l'apparecchio.

3.1 Condizioni ambiente

Le condizioni ambientali che seguono sono ideali per il funzionamento ottimale della laminatrice.

Temperatura ambiente

La temperatura migliore per la laminatrice 54/65 EL è compresa tra 16 °C e 35 °C (50 °F e 95 °F). Non esporre la laminatrice alla luce diretta del sole per non pregiudicare la qualità del lavoro.

Umidità relativa

Per ottenere i risultati migliori, l'umidità relativa deve essere compresa tra 50% e 70%.

Acqua e condensa

Se la laminatrice è montata in un ambiente umido o in vicinanza di acqua, i collegamenti elettrici devono essere realizzati secondo le normative locali.

3.2 Ambiente circostante

Per ottenere prodotti realizzati con la massima qualità, installare la laminatrice in ambienti il più possibile puliti e senza polvere. I materiali usati con questa laminatrice potrebbero avere una carica elettrostatica e attrarre la polvere, pregiudicando la qualità del lavoro.

3.3 Alimentazione

Collegare la laminatrice secondo i particolari elencati sull'etichetta di identificazione posizionata sul pannello posteriore. Per maggiori informazioni, fare riferimento anche alle caratteristiche tecniche.

3.4 Requisiti del luogo di lavoro

- La macchina dovrebbe essere posizionata lontano da fonti di calore come bocchette o stufe.
- La posizione non deve interferire con una corretta ventilazione.
- Assicurare spazio sufficiente per caricare la macchina e per ritagliare le immagini.
- Il livello della polvere presente non deve superare quello di un tipico ambiente di lavoro tipo ufficio/sala computer.
- L'area di lavoro deve essere in piano, livellata e ben illuminata.

3.5 Apertura dell'imballo della laminatrice

1. Tagliare le fascette che tengono la cassa sul pallet.
2. In due persone, sollevare lentamente la cassa in verticale oltre l'altezza della macchina (vedere Figura 2).
3. Rimuovere eventuali materiali da terra.
4. Rimuovere le due viti di legno che tengono la rampa in posizione.
5. Rimuovere la rampa e l'imballo circostante.
6. Posizionare la rampa come mostrato in Figura 3.
7. Rimuovere i 4 bulloni di bloccaggio.
8. Rimuovere i 2 blocchetti stabilizzatori.
9. In due persone, far scendere lentamente la macchina dalla rampa.
10. Rimuovere il materiale di imballaggio rimanente e disimballare il tubo avvolgitore.
11. Controllare la macchina per verificare che non sia stata danneggiata.

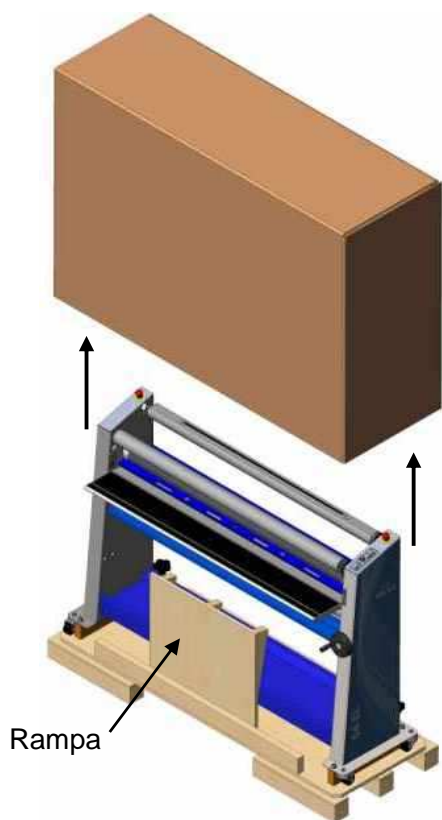


Figura 2

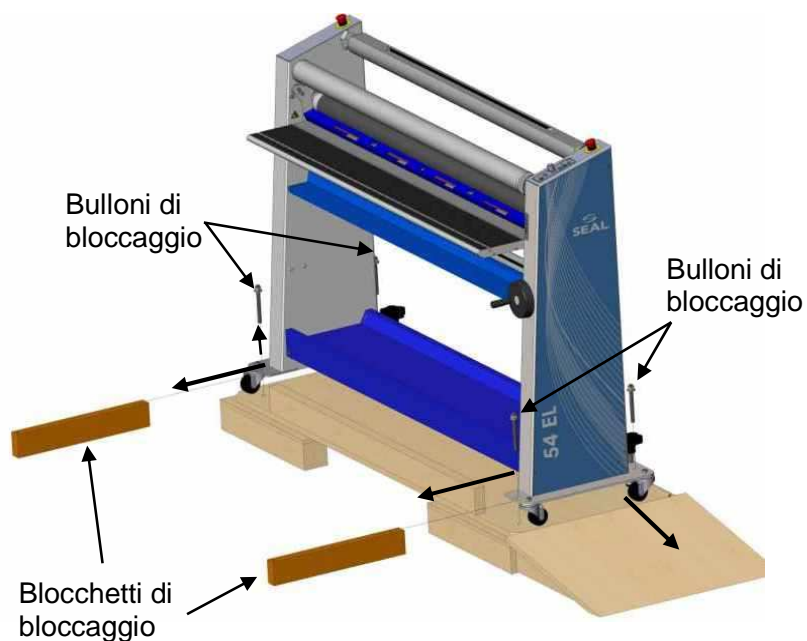
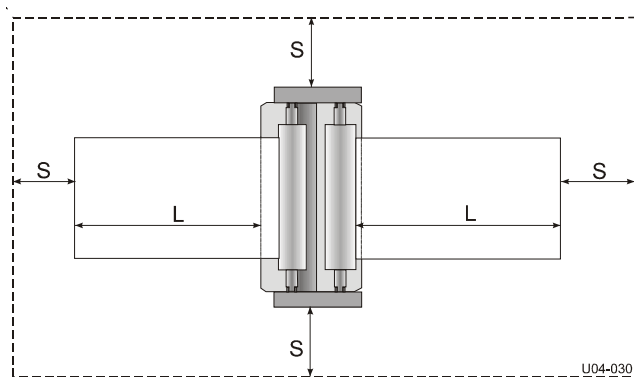


Figura 3

3.6 Installazione della laminatrice

Eseguire l'installazione della laminatrice 54/65 EL nel luogo in cui sarà usata. L'area deve essere su una superficie piana.

La laminatrice deve essere installata vicino alla presa elettrica. La presa deve essere facilmente accessibile. Assicurarsi di utilizzare una presa con collegamento a terra. La laminatrice deve essere collegata a una presa elettrica in grado di erogare valori di tensione e corrente come riportato sull'etichetta.



Nota:

Assicurarsi che la macchina, nella posizione finale, abbia abbastanza spazio per alimentare, ricevere e ritagliare le immagini, come suggerito dallo schema in Figura 4.

L = Larghezza massima della tavola

S = Spazio minimo, 60 cm (24").

Figura 4: Area di lavoro

1. Spostare la macchina nell'area di lavoro.
2. Installare sulla tavola la guida immagine, come mostrato in fig. 5. Nota: Immagine guida è opzionale su alcuni modelli.
3. Iniziando dal lato destro, installare il tubo avvolgitore comprimendo la molla del supporto destro, quindi inserire l'estremità sinistra sulla guida (fig. 5).
4. Inserire correttamente il cavo di alimentazione nella presa dotata di collegamento a terra.

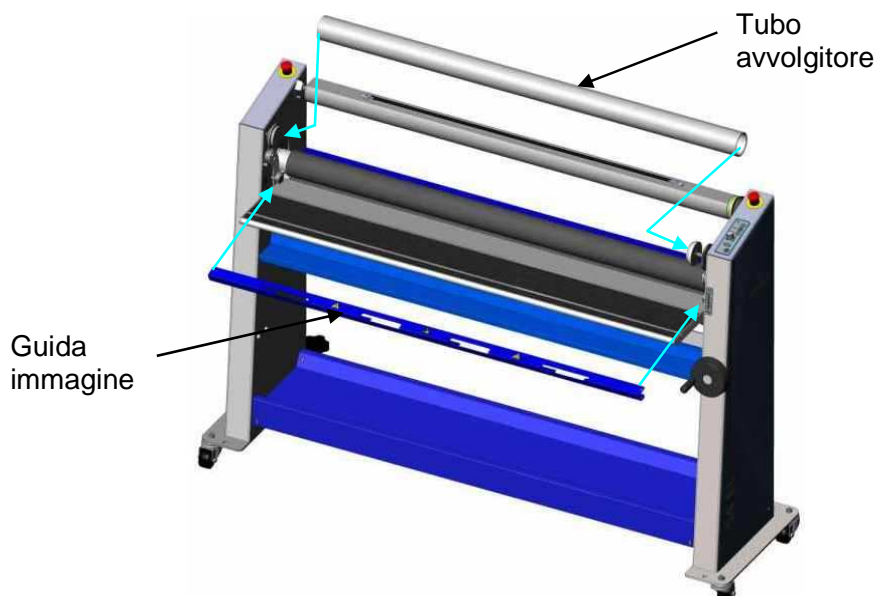


Figura 5

5. Bloccare la macchina in posizione con il piede facendo un passo sul meccanismo di bloccaggio sulle ruote anteriori (fig. 6).

Nota: un pavimento irregolare può pregiudicare la qualità della lavorazione. In caso di pavimentazione irregolare, contattare il servizio di assistenza per l'opzione di livellamento.



ATTENZIONE:

PRIMA DELL'USO, LA MACCHINA DEVE ESSERE FISSATA IN LUOGO.

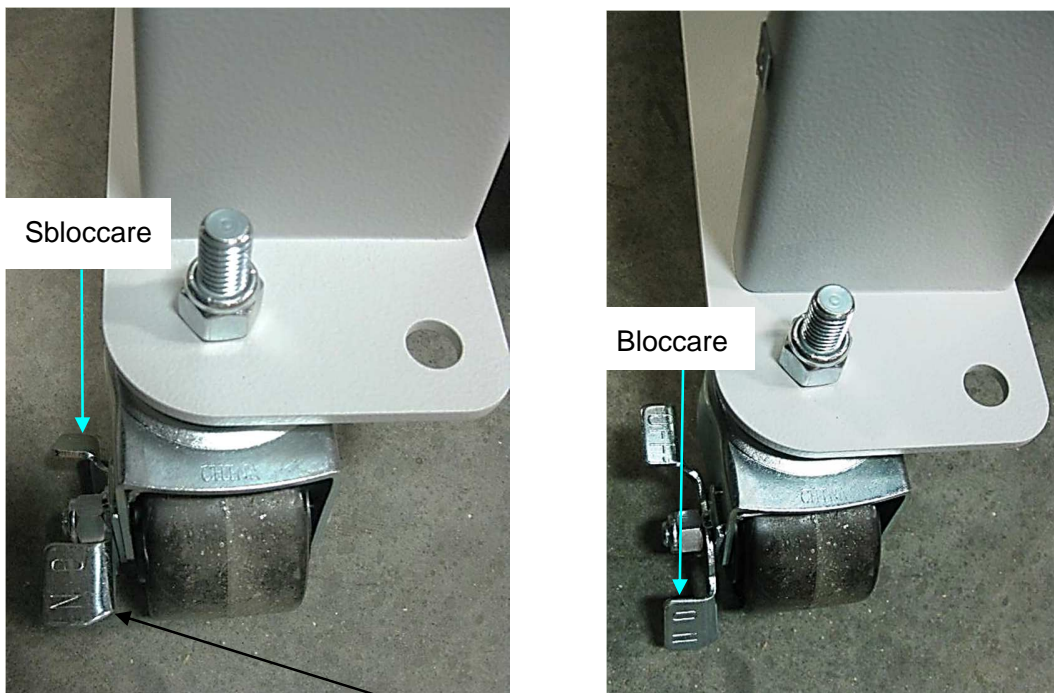


Figura 6

Leva di bloccaggio



ATTENZIONE:

ASSICURARSI CHE IL CAVO DI ALIMENTAZIONE ED EVENTUALI PROLUNGHE NON OSTACOLINO IL PASSAGGIO INTORNO ALLA MACCHINA.

3.7 Trasporto

La macchina può essere spostata su una superficie piana con le proprie rotelle.



ATTENZIONE:

svitare e sollevare i piedini di livellamento altrimenti potrebbero piegarsi o rompersi urtando un ostacolo.

Quando si sposta la macchina su superfici ruvide o per lunghi tratti, usare il pallet e l'imballaggio originale e usare un carrello sollevatore.

4 DESCRIZIONE DELLA MACCHINA

Caratteristiche della 54/65 EL

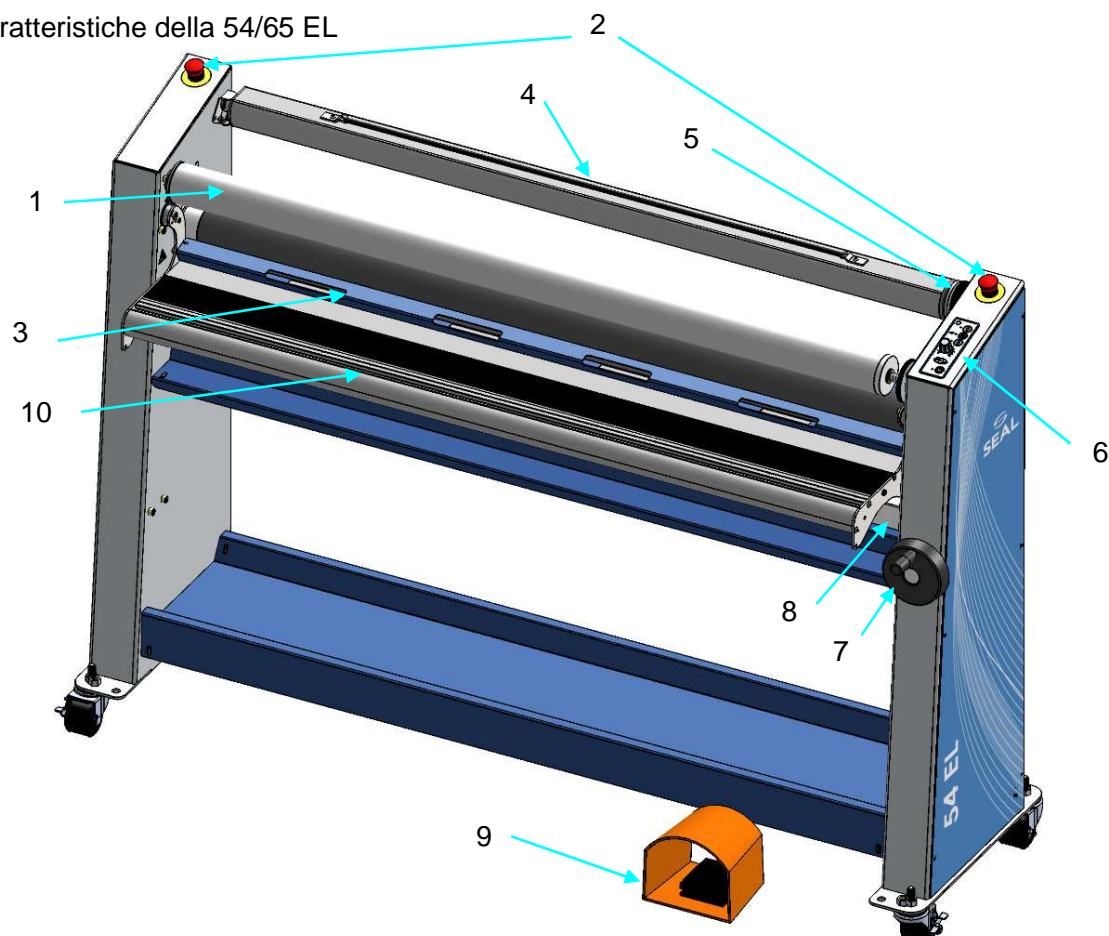
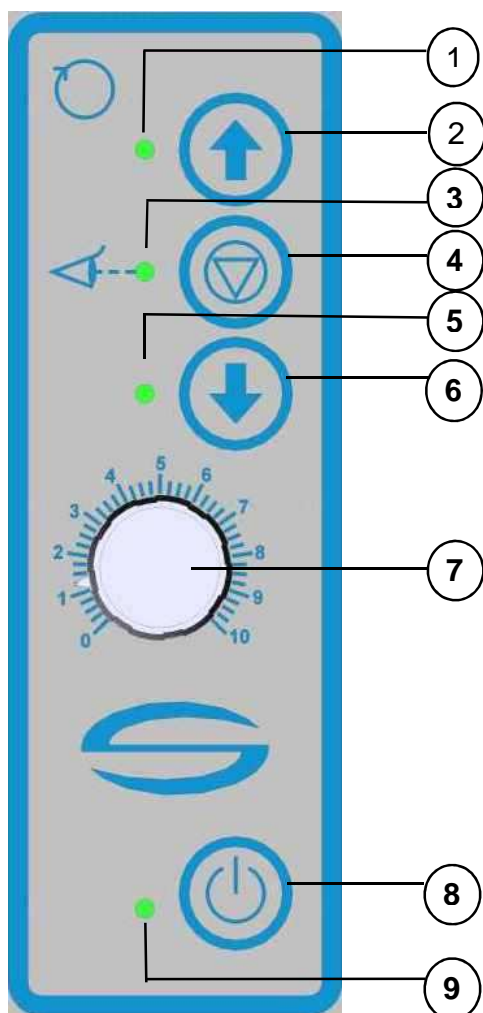


Figura 7

Identificazione delle parti		
1	Tubo di avvolgimento	Avvolgitore per il tubo di rilascio
2	Pulsanti di emergenza	Per arrestare la macchina in caso di emergenza
3	Guida immagini	Per facilitare l'avvio delle immagini. (Opzionale su alcuni modelli.)
4	Albero superiore di svolgimento	L'albero è adatto per materiali da 3 pollici (7,62 cm)
5	Freno di svolgimento	Un modo semplice per impostare la tensione di svolgimento.
6	Pannello dei comandi	Controlla la rotazione dei rulli e lo standby
7	Manovella	Per regolare lo spazio tra i cilindri
8	Albero di svolgimento inferiore	L'albero è adatto per materiali da 3 pollici (7,62 cm)
9	Interruttore a pedale	Usato per attivare la modalità lenta
10	Tavola alimentazione	Superficie piana per poggiare il materiale su cui lavorare

L'etichetta con i dati tecnici e il numero di serie è posizionata sul lato posteriore della macchina vicino all'ingresso del cavo elettrico.

4.1 Pannello dei comandi



1	Spia avanti	Accesa quando il rullo avanza
2	Pulsante avanti	Premere per avanzare
3	Spia del sistema di sicurezza ottico	Si accende quando il raggio non è bloccato
4	Pulsante di arresto	Premere per fermare la guida. Lampeggia quando si preme il pulsante di arresto di emergenza.
5	Spia indietro	Accesa quando si inverte il movimento
6	Pulsante indietro	Premere e tenere premuto per invertire il moto
7	Pomello di regolazione velocità	Per regolare la velocità del rullo
8	Pulsante di standby	Per accendere o spegnere (premere per 2 secondi)
9	Spia alimentazione	Indica che la macchina è accesa

Figura 8

4.2 Controllo motore

La velocità dei rulli è regolabile in continuo tra 0 e 4,25 m/min. Premendo il tasto ↑ si attivano i cilindri in avanti, premendo e tenendo premuto il tasto ↓ si inverte la direzione dei cilindri. Il tasto dello stop interrompe il movimento del cilindro. La velocità può essere regolata solo se la rotazione è in avanti, senza l'interruttore a pedale.



ATTENZIONE:

FARE ATTENZIONE AGLI ABITI LARGHI, AI CAPELLI LUNGI, A GIOIELLI E ALLE DITA CHE POTREBBERO ESSERE SCHIACCIATI TRA I RULLI.

4.2.1 Modalità lenta

La macchina è dotata di una modalità lenta che può essere attivata premendo l'interruttore a pedale. Per mantenere la modalità lenta, tenere premuto l'interruttore a pedale. La modalità lenta deve essere usata quando la tavola di alimentazione è in posizione sollevata. Si raccomanda di usare questa modalità di funzionamento senza la guida immagine.

La velocità può essere regolata in modalità lenta. La velocità può essere regolato fino a zero, ma non può essere impostata più in alto rispetto al massimo consentito in modalità lenta. La posizione della manopola di velocità sarà di circa lo stesso come nella modalità normale per produrre la stessa velocità.



ATTENZIONE:

QUANDO SI LAVORA IN MODALITÀ LENTA, L'INTERRUZIONE DELL'OCCHIO ELETTRONICO NON FERMA LA MACCHINA. IN MODALITÀ LENTA, VERRÀ EMESSE UN SEGNALE ACUSTICO E LA VELOCITÀ DEL RULLO ABBASSATA. IL RILASCIO DEL PEDALE FERMERÀ LA MACCHINA.

Per passare dalla modalità lenta al funzionamento normale senza fermarsi (evitando un segno di arresto):

- Dalla modalità lenta (interruttore a pedale premuto), premere e tenere premuto il pulsante $\hat{\uparrow}$ (avanti) sul pannello di controllo.
- Rilasciare l'interruttore a pedale. La macchina funzionerà alla velocità preimpostata.
- Infine, rilasciare il pulsante $\hat{\uparrow}$ (avanti).

Per passare dalla modalità normale alla modalità lenta senza fermarsi:

- Premere l'interruttore a pedale
Nota: il rilascio del pedale fermerà la macchina.

4.2.2 Funzionamento inverso



ATTENZIONE:

LASCIARE LIBERA LA PARTE POSTERIORE DURANTE IL FUNZIONAMENTO INVERSO.

Per invertire la rotazione dei rulli, premere il pulsante $\hat{\downarrow}$ (indietro). Finché il pulsante rimane premuto, la macchina funzionerà all'inverso, alla velocità di circa 1 m/min. Il rilascio del pulsante fermerà la macchina.

La rotazione dei rulli si interromperà se:

- Il raggio della fotocellula sui rulli principali viene interrotto.
Nota: questo NON accade se si usa l'interruttore a pedale (modalità lenta).
- Viene azionato il pulsante di emergenza.
- Viene premuto brevemente l'interruttore a pedale.
- Le tensioni di svolgimento impostate sono eccessive (il motore verrà spento automaticamente e la spia di avanzamento lampeggerà, premere il pulsante di arresto sul pannello di controllo per eseguire il reset).
- Viene premuto il pulsante di arresto sul pannello di controllo.

4.2.3 Freni di svolgimento

Serrare il freno di svolgimento in modo tale da applicare sufficiente tensione per eseguire la laminazione. Ruotando la fascetta frenante zigrinata in senso antiorario, la tensione applicata al foglio laminato aumenta. Ruotando in senso orario, la tensione diminuisce. La migliore impostazione della tensione è determinata dai materiali utilizzati e si impara con l'esperienza.

4.2.4 Regolazione della distanza tra i rulli

Ogni volta che si installa una tavola o altro supporto, è importante regolare i rulli per creare una distanza all'incirca uguale allo spessore del substrato da usare. Ciò viene fatto in modo che qualsiasi cosa passi tra i rulli possa ricevere l'esatta pressione per evitare danni al substrato presente (e di conseguenza ai rulli).

Ruotando il volantino a mano in senso antiorario il rullo superiore si abbassa, e si solleva se si ruota in senso orario.

Come impostare la distanza:

Determinare lo spessore del substrato che si usa per il montaggio. Pre-impostare la distanza dei rulli ruotando il volantino in senso orario finché l'indicatore della distanza supera lo spessore della tavola.

Inserire a mano tra i rulli il bordo anteriore del substrato. Abbassare il rullo superiore ruotando il volantino in senso antiorario finché il rullo superiore tocchi il substrato con pressione sufficiente a non far spostare lateralmente il substrato. Se necessario, ruotare all'indietro per spostare il substrato.

Per avvolgere i film, ruotare il volantino in senso antiorario finché la distanza sia completamente azzerata e continuare finché il volantino gira liberamente.

4.2.5 Posizione della guida immagine non in uso

Se non viene usata, la guida immagine può essere conservata sul supporto a croce superiore o inferiore. Nota: Guida immagine è opzionale su alcuni modelli.

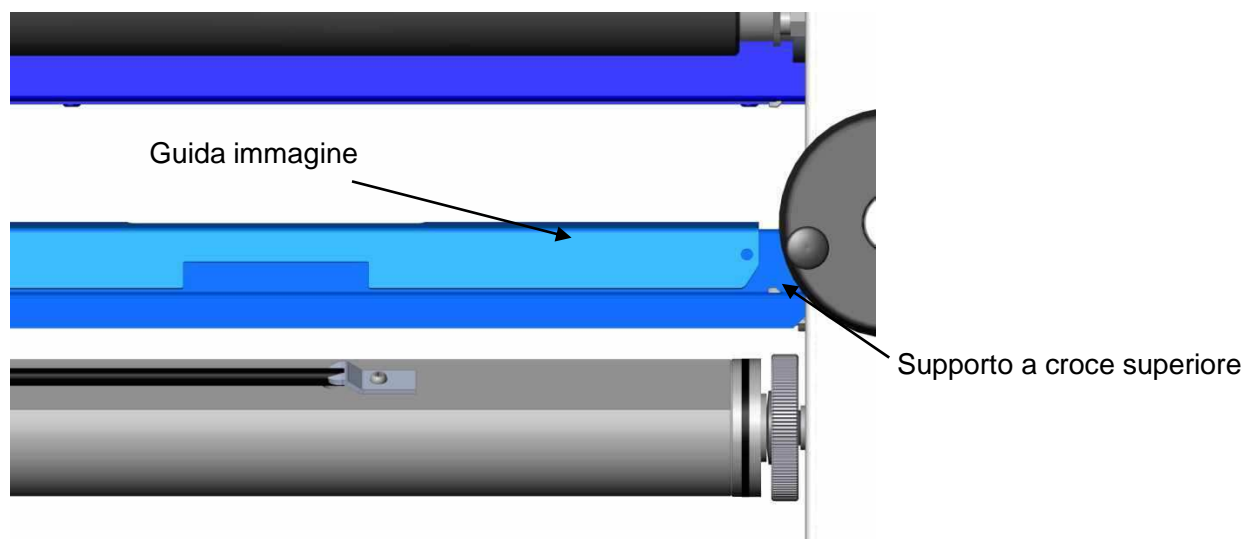


Figura 9

5 PROCESSI DI APPLICAZIONE

5.1 Principi di un processo

In tutti i processi i materiali vengono inseriti tra i rulli dalla parte anteriore, per essere uniti a pressione. In figura 10 viene mostrato un processo di decalcomania a doppio strato che sfrutta al massimo la macchina.

Il rivestimento superiore è costituito da una pellicola sensibile alla pressione con un supporto antiaderente (3) prelevato da un rullo di alimentazione montato sull'albero superiore di avvolgimento (posteriormente, 5). Il rivestimento inferiore è costituito da una pellicola sensibile alla pressione prelevata da un rullo di alimentazione montato sull'albero inferiore di avvolgimento (7). Alcuni modelli hanno una barra separatrice (8) per aiutare nella rimozione del liner di rilascio.

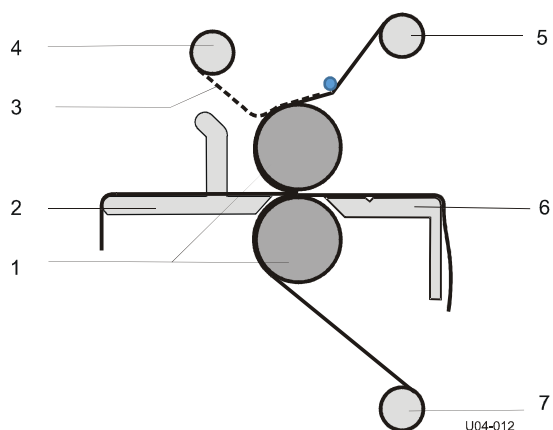


Figura 10: Creazione di una decalcomania.

L'immagine che deve essere laminata viene inserita attraverso i rulli principali (1) mediante la tavola di alimentazione (2).


Quando si usa un supporto sensibile alla pressione, spesso è presente un supporto antiaderente da rimuovere (3). Questo viene avvolto attorno a un rullo (4) montato nella sezione superiore.

Una pellicola di montaggio è dotata di un adesivo su entrambi i lati e da un supporto antiaderente solo su un lato. Quest'ultimo deve restare sulla pellicola fino al montaggio dell'immagine.

I passi seguenti evidenziano la procedura di base che deve essere usata per il caricamento dei materiali, il caricamento della laminatrice e la regolazione della tensione del freno, per i materiali che verranno impiegati. Per caricare e scaricare i rulli per il materiale, è necessario accedere alla macchina da dietro.

5.2 Caricamento della macchina

Selezionare le pellicole che si utilizzeranno per la parte superiore e inferiore delle immagini. Si consiglia di verificare che sia il laminato che il supporto abbiano le stesse dimensioni, per evitare problemi in fase di laminazione. In questo modo si può eseguire la rifilatura sul bordo del supporto, riducendo lo spreco di materiale.

 Lavorare sempre al centro della macchina.

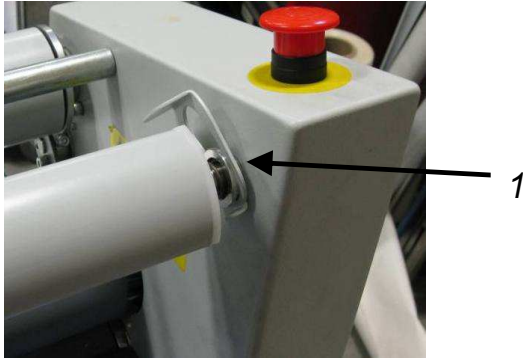


Figura 11: Interblocco in alto



Figura 12: Interblocco in basso

5.2.1 Rimozione di un albero di svolgimento

- Rimuovere l'albero di alimentazione desiderato (superiore o inferiore) premendo la staffa di interblocco (1) verso l'alto (fig. 11).
- Far scorrere l'albero di presa automatica verso destra, contrastando la pressione della molla.
- Sollevare prima l'estremità sinistra dell'albero dalla laminatrice, quindi la destra.

5.2.2 Caricamento dell'albero con rulli di pellicola

Il rullo di pellicola viene inserito sull'albero secondo il tipo di pellicola e l'uso nella parte superiore o inferiore della macchina. In generale, la pellicola sensibile alla pressione con il supporto antiaderente (A) viene arrotolata con il supporto antiaderente (3) e l'adesivo (2) all'esterno della pellicola, mentre le pellicole senza supporto antiaderente (C) presentano lo strato adesivo sul lato interno del rullo. Le pellicole sensibili alla pressione in Nord America hanno di solito il supporto antiaderente sul lato interno del rotolo (B).

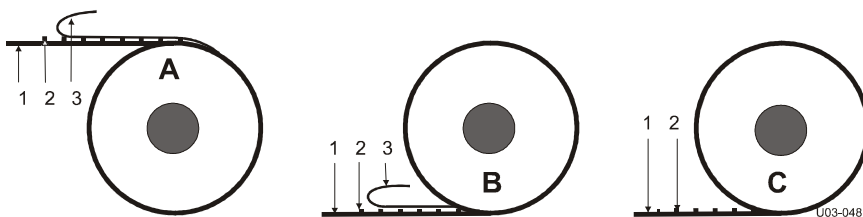


Figura 13: Rulli di pellicola.

- Nella sezione superiore, il lato adesivo (2) in contatto con l'immagine e con il supporto antiaderente (3) devono essere rivolti in alto durante lo svolgimento della pellicola verso il lato anteriore della macchina.
- Nella sezione inferiore, il lato adesivo (2) in contatto con l'immagine deve essere rivolto in basso durante lo svolgimento della pellicola verso il lato anteriore della macchina.

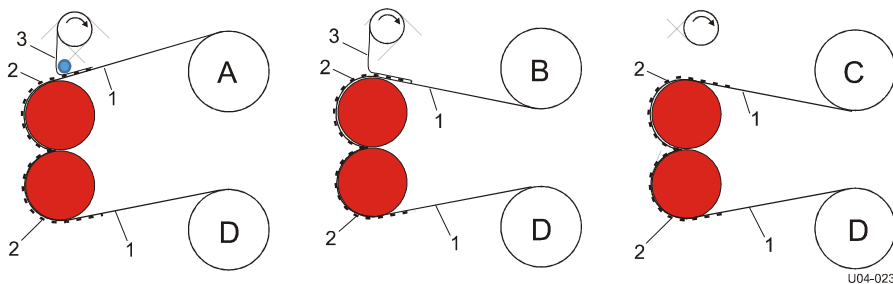


Figura 14: Pellicole adesive.

5.2.3 Caricamento nella macchina dell'albero di svolgimento

- Posizionare la staffa di interblocco verso l'alto e allineare il supporto destro dell'albero come in fig. 15.
- Afferrare fermamente l'albero con le mani sulle estremità del rullo della pellicola per evitare che questa scivoli dall'albero durante il caricamento.
- Posizionare l'albero, insieme al materiale, nella laminatrice inserendolo sul supporto destro dell'albero di svolgimento.
- Premere contrastando la pressione della molla, fino a posizionare l'altra estremità dell'albero sul supporto sinistro.
- Assicurarsi che la staffa di interblocco sia in posizione abbassata (fig. 12).
- Centrare il rullo del materiale nella laminatrice.



Figura 15: Posizione di carico svolgitoro.

5.3 Incorsatura della pellicola in macchina

La macchina deve essere incorsata prima che le immagini siano processate. La macchina può essere preparata per processi a singola o doppia faccia. Quando si montano le immagini, la macchina non è incorsata.

Nota: nei processi su singolo lato, se la pellicola è più larga delle immagini potrebbero rimanere residui di adesivo sul rullo inferiore. Per evitarlo, nella sezione inferiore si può usare un supporto antiaderente della stessa larghezza della pellicola superiore. Il supporto antiaderente può essere comodamente rimosso in seguito. In alternativa, si può usare una pellicola con la stessa larghezza dell'immagine.

Quando si processano i pannelli, è necessario un pannello di testa (pannello di scarto uguale al pannello da processare) per alimentare la pellicola.

5.3.1 Preimpostare la tensione

Impostare la tensione (freno) del rullo per consentire alla pellicola di svolgersi senza formare pieghe.

Sul lato destro della macchina (pannello di controllo), è posizionato una ghiera per il controllo del tensionamento su ogni albero. Ruotare l'anello di regolazione in senso antiorario (dall'alto indietro) per aumentare la tensione, in senso orario (dall'alto in avanti) per allentare.

Quando la pellicola è stata incorsata, si raccomanda di impostare una tensione bassa su ogni albero ruotando l'anello di regolazione in senso antiorario finché si avverte resistenza. La pellicola deve essere stretta, ma deve poter essere estratta a mano senza troppo sforzo

Un'eccessiva tensione potrebbe sforzare il materiale e provocare la formazione di pieghe nel foglio. Una macchina correttamente regolata dovrebbe avvolgere la pellicola senza pieghe e con la minima tensionatura.

**ATTENZIONE:**

Non usare mai lame scoperte vicino ai rulli. Graffiare o peggio tagliare i rulli provoca deterioramento delle prestazioni e del risultato finale.

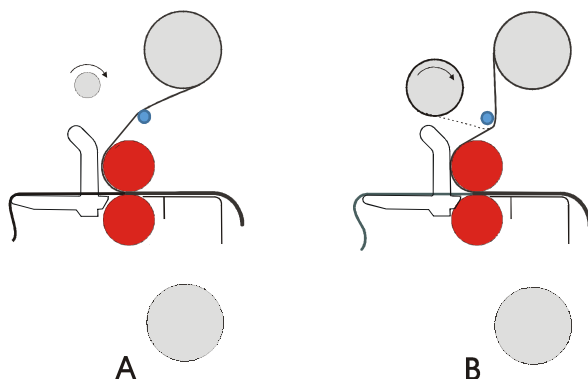
5.3.2 Incorsatura per processo su singolo lato

Figura 16: Incorsatura sezione superiore.

1. Estrarre la pellicola fino a lasciare circa 10 cm sulla tavola di alimentazione.
2. Se la pellicola è dotata di un supporto antiaderente (B):
 - Installare il tubo di avvolgimento sulla macchina.
 - Se la macchina dispone di una barra di separazione, infilare il film sotto la barra.
 - Sollevare un angolo del supporto antiaderente.
 - Tirare via il supporto antiaderente e attaccarlo al tubo con del nastro.



Per questa operazione si può usare un tubo di cartone di una pellicola usata. In questo modo sarà facile rimuovere il supporto antiaderente dal tubo di avvolgimento e usarlo per un altro processo.


3. Alzare la tavola in posizione completamente aperta.
4. Alzare il rullo superiore in posizione completamente aperta.
5. Dalla parte posteriore della macchina, tirare la pellicola attraverso i rulli e fissarla alla tavola in uscita. Assicurarsi che la pellicola sia poggiata bene sul rullo superiore. Se necessario, aumentare la tensione di svolgimento.
6. Se si usa lo svolgitoro inferiore per alimentare le immagini o il supporto antiaderente:
 - Inserire il materiale tra i rulli assicurandosi che sia perfettamente a contatto con il rullo inferiore.
 - Con una mano, tenere il materiale in posizione.
 - Abbassare il rullo superiore in posizione completamente chiusa (zero).

Nota: usare un supporto antiaderente sull'avvolgitoro inferiore o un cartoncino quando si processano immagini sottili.

7. Abbassare la tavola in posizione completamente abbassata.

8. Se si alimenta con immagini singole:

- Posizionare tra i rulli un foglio di scarto uguale alla larghezza del laminato e lungo circa 30 cm.
- Con una mano, tenere il foglio in posizione.
- Abbassare il rullo superiore in posizione completamente chiusa (zero).
- Alimentare le immagini sul foglio di scarto o sulla coda dell'ultima immagine.

 Quando si tagliano immagini singole, lasciare sempre abbastanza spazio in modo da tenere un po' di materiale tra i rulli mentre si taglia l'immagine laminata dal retro della macchina. La pellicola non deve mai entrare in contatto con il rullo inferiore.

9. Estrarre la pellicola dalla tavola di uscita (passo 6) e ripiegarla sulla parte inferiore per evitare che si attacchi nuovamente alla tavola.
10. Usare l'interruttore a pedale per avviare il processo, quindi passare al funzionamento normale con il pulsante anteriore, appena pronti.

5.3.3 Incorsatura per processo su doppio lato

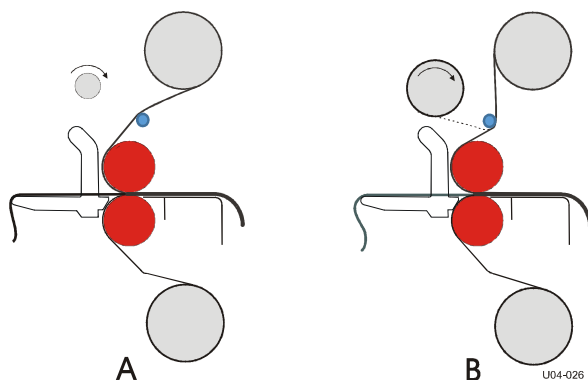



Figura 17: Incorsatura sezione superiore e inferiore.

La pellicola è incorsata prima nella sezione superiore

1. Tirare la pellicola in avanti fino a raggiungere quasi la tavola di alimentazione restando poggiata sul rullo superiore.
2. Se la pellicola è dotata di un supporto antiaderente (B):
 - Installare il tubo di avvolgimento sulla macchina.
 - Se la macchina dispone di una barra di separazione, infilare il film sotto la barra.
 - Staccare un angolo del supporto antiaderente.
 - Tirare via il supporto antiaderente e attaccarlo al tubo con del nastro.

 Per questa operazione si può usare un tubo di cartone di una pellicola usata. In questo modo sarà facile rimuovere il supporto antiaderente dal tubo di avvolgimento e usarlo per un altro processo.

Ora incorsare la sezione inferiore

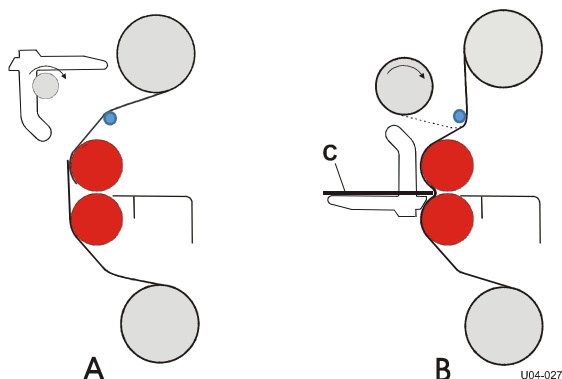


Figura 18: Incorsatura sezione inferiore.

3. Sollevare la tavola di alimentazione e metterla in posizione superiore (A).
4. Svolgere la pellicola dal rullo di svolgimento inferiore.
5. Tirare la pellicola in avanti fino a che l'estremità stia quasi tra i due rulli e fissarla alla pellicola della sezione superiore.
6. Abbassare la tavola di alimentazione.
7. Impostare la distanza tra i rulli al valore pari a circa lo spessore del pannello di testa.
8. Spingere le pellicole mediante il pannello di testa (C) tra i rulli usando la modalità lenta (B).
9. Quando il pannello di testa è completamente fuori dai rulli, abbassare il rullo superiore fino alla posizione di massima chiusura (distanza rulli= 0).
10. Usare l'interruttore a pedale per avviare il processo, quindi passare al funzionamento normale con il pulsante anteriore, appena pronti.

5.4 Processi e impostazioni

5.4.1 Generalità

Per le informazioni aggiornate sui materiali SEAL®, visitare www.sealgraphics.com.

5.4.2 Pre rivestimento dei pannelli

Questo processo è utilizzato per rivestire i pannelli (substrati) con una pellicola sensibile alla pressione su cui montare le immagini. Questo processo può essere usato anche per creare un pannello trascinatorio (slitta). In questo caso verrà usata una pellicola con adesivo su entrambi i lati e supporto antiaderente.

Nota: la pellicola di montaggio è dotata di solito di un supporto antiaderente. Collocare la pellicola sulla sezione superiore e incorsare come se non avesse il supporto antiaderente (v. 5.3.2).

1. Posizionare il rullo della pellicola di montaggio sull'albero nella posizione superiore di svolgimento.
2. Rimuovere la guida immagine.
3. Alzare il rullo superiore in posizione completamente aperta.
4. Tirare la pellicola dai rulli e fissarla alla tavola in uscita.
5. Inserire un pannello di testa nello spazio tra i rulli dello stesso materiale, spessore e larghezza dei pannelli da processare.

6. Abbassare il rullo superiore fino al contatto con il pannello di testa, quindi continuare finché questo non si può muovere liberamente a mano da un lato all'altro.
7. Battere il pannello sul pannello di testa e usare l'interruttore a pedale per avviare il processo. Il movimento può essere azionato in avanti mediante il pulsante di avanzamento, se il processo procede lentamente.

Nota: quando si devono pre-rivestire più pannelli, inserirli in modo continuo.

8. Tagliare i pannelli con un taglierino appena liberano i rulli sul retro della macchina.
9. Terminare con un pannello di testa, quindi inserirlo fino a che il pannello precedente sia fuori dai rulli.



ATTENZIONE:

non tagliare la pellicola vicino o sui rulli. Potrebbe danneggiarsi il rivestimento in silicone dei rulli, annullando la garanzia.

10. Al termine, riprendere il pannello di testa usando il movimento inverso.
11. Tagliare la pellicole con un taglierino.

A questo punto la tavola ha un rivestimento adesivo pronto per montare un'immagine. Vedere la sezione 5.4.3 per il montaggio delle immagini.

5.4.3 Montaggio immagini o decalcomanie

In questo processo, la pellicola non è incorsata nella macchina.

- Quando si montano le immagini su una tavola pre-rivestita (B), l'adesivo si trova sul lato di montaggio della tavola.
- Quando si montano le decalcomanie (A), l'adesivo è sul retro dell'immagine.

Il processo di montaggio è uguale per entrambi.

1. Rimuovere l'albero di svolgimento dalla posizione anteriore superiore.
2. Rimuovere la guida immagine.
3. Impostare la distanza tra i rulli (v. 4.4).
4. Mettere il pannello sulla tavola di alimentazione.
5. Mettere l'immagine sulla tavola (immagine rivolta in alto). Ripiegare l'immagine verso la macchina (1).
6. Rivoltare di circa 25 mm il supporto antiaderente (2) dal lato della macchina e piegarlo uniformemente verso l'esterno.

La qualità finale dipende dal modo in cui il bordo d'ingresso dell'immagine viene applicato sul pannello.

7. Applicare l'immagine (3) sul pannello (C).
8. Inserire tra i rulli il bordo con l'immagine attaccata (D).
9. Posare l'estremità (4) dell'immagine uniformemente sul rullo superiore.
10. Usare l'interruttore a pedale per avviare e fermare la modalità lenta, restando a mani libere.

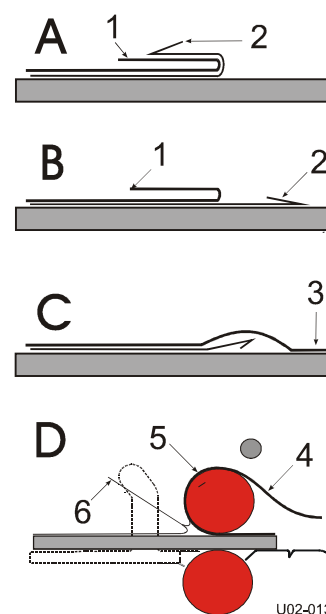


Figura 19: Montaggio immagini o decalcomanie



ATTENZIONE:

TENERE LE DITA LONTANO DAI RULLI. IL DISPOSITIVO DI SICUREZZA OTTICO NON È IN FUNZIONE QUANDO SI USA IL PEDALE IN MODALITÀ LENTA.

11. Con la mano sinistra sollevare il supporto antiaderente (6) dall'immagine o pannello in fase di inserimento tra i rulli, senza fermarsi.

Nota: la completa rimozione del supporto antiaderente espone l'adesivo allo sporco e alla polvere che resterà intrappolata sotto l'immagine.

12. Con la mano destra, tenere l'immagine aderente al rullo superiore (5) evitando la formazione di pieghe.



Per ottenere i migliori risultati, non fermarsi quando si introduce l'immagine.

5.4.4 Sovra laminazione

Dopo che un'immagine viene montata su un pannello, può essere applicato un foglio protettivo. Questo processo è simile al pre-rivestimento del pannello (v. 5.4.2). La sovralaminatura può essere fatta con una pellicola sensibile alla pressione.

Nota: SEAL® consiglia di creare decalcomanie (v. 5.4.6) in quanto viene protetta meglio la stampa da montare.

5.4.5 Laminazione su singolo lato

Le immagini possono essere laminate su singolo lato con o senza l'uso di pannelli trascinatori.

Questo foglio deve essere una pellicola sensibile alla pressione con o senza supporto antiaderente.

Lo svantaggio del processo di laminazione su singolo lato è l'adesivo residuo che potrebbe rimanere sui rulli dove non c'è l'immagine.

Per evitarlo, è possibile usare un supporto antiaderente o i pannelli di trascinamento. Altrimenti, l'immagine deve essere più larga del laminato e i pezzi di materiale da scartare devono essere tra i rulli per avviare o arrestare il processo.

Uso del supporto antiaderente (raccomandato)

- Usare un rotolo di supporto antiaderente nella sezione inferiore.
- Incorsare la sezione superiore e inferiore della macchina come descritto sopra (v. 5.3.2).

Quando le immagini vengono tagliate, il supporto antiaderente si separerà automaticamente dall'immagine.

Uso dei pannelli di trascinamento

- Incorsare la sezione superiore della macchina come descritto sopra (v. 5.3.2).
- Mettere l'immagine su un pannello di trascinamento con il lato dell'immagine verso l'alto e seguire i passi descritti per il pre-rivestimento del pannello (v. 5.4.2.).

5.4.6 Decalcomania

Quando si applica una decalcomania, un laminato viene messo sull'immagine e un adesivo sul retro dell'immagine.

1. Caricare le pellicole per la laminazione nella sezione superiore e inferiore come descritto in 5.3.3.
2. Inserire le immagini nel punto di contatto tra i rulli, lasciando un certo gioco tra di essi.
3. Tagliare il risultato con un taglierino solo quando le immagini sono libere dai rulli.

Questa decalcomania può essere montata successivamente sul pannello o su altro substrato.

5.5 Scaricamento

Per scaricare la macchina:

1. Tagliare il risultato dopo l'ultima immagine (pannello successivo al pannello di testa).
2. Tagliare entrambe le pellicole 25 mm al di sopra della superficie del rullo usando un taglierino.
3. Allargare la sezione di contatti tra i rulli e rimuovere, agendo dalla parte posteriore dei rulli, le pellicole e il pannello di testa.

Per togliere un rullo dall'albero:

4. Togliere l'albero di presa automatica (v. 5.2.1).
5. Rimuovere il rullo di materiale dall'albero di presa automatica

6 PULIZIA/MANUTENZIONE

Pulire la macchina con regolarità. Polvere e sporco pregiudicano il risultato del processo di laminazione.



ATTENZIONE:

Non usare materiali abrasivi per la pulizia della macchina. Potrebbero danneggiare le superfici verniciate o il rivestimento in silicone dei rulli.

Usare un panno umido.



ATTENZIONE:

Assicurarsi che non entri acqua all'interno della macchina. Potrebbe danneggiare i circuiti elettrici al momento dell'accensione.

Pulire le superfici esterne della macchina con un panno umido. Se necessario, usare un detergente casalingo per rimuovere lo sporco ostinato.

Pulire gli alberi e le cinghie di gomma come richiesto.

6.1.1 Pulizia dei rulli in acciaio rivestiti in silicone

I rulli devono essere puliti con regolarità per prevenire l'accumulo di residui. Ciò potrebbe danneggiare i rulli.

Usare un panno che non lascia fili per rimuovere polvere e altro tipo di sporco.

Macchie difficili possono essere rimosse con l'aiuto di alcol isopropilico e un panno che non lascia fili.

Non versare l'alcol isopropilico direttamente sulla macchina.



ATTENZIONE:

L'ALCOL ISOPROPILICO È MOLTO INFIAMMABILE. IL PUNTO DI INFIAMMABILITÀ È DI 11 °C. LA TEMPERATURA DI AUTO ACCENSIONE È DI 400 °C.

6.2 Manutenzione preventiva

Le macchine SEAL® sono state progettate per richiedere pochi interventi di manutenzione preventiva in aggiunta alla normale pulizia.

Eeguire i seguenti controlli:

- Albero di presa automatica con cinghie di bloccaggio.

6.2.1 Albero di presa automatica

Controllare il meccanismo di presa automatica su ciascun albero.

- La distanza (d) tra la cinghia di gomma e il bordo piano deve essere minimo 8 +/-2,5 mm.

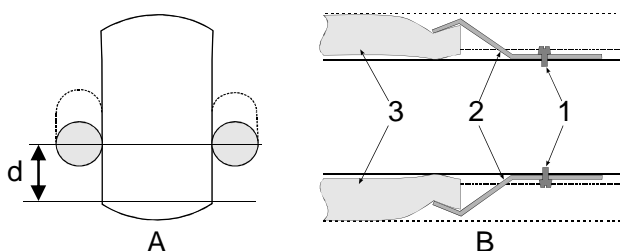


Figura 20: Albero di presa automatica

Se necessario, regolare come segue:

- Allentare il morsetto (2) agendo sulle viti (1) fino a che la cinghia è libera su un lato.
- Accorciare la cinghia tagliandone un pezzo di circa 10 mm.
- Inserire nuovamente l'estremità della cinghia nel morsetto (2).
- Fissare serrando le viti (1).

7 RISOLUZIONE DEI PROBLEMI

Elenco di problemi comuni e soluzioni applicabili dall'utente:

Problema	Causa	Soluzione
La spia di alimentazione non si illumina quando la macchina viene accesa.	Mancanza di alimentazione	Controllare se il cavo elettrico è inserito nella presa a muro. Controllare il fusibile principale vicino all'ingresso di alimentazione.
Sia l'avanti e il retromarcia LED lampeggiano.	La tensione potenza motore è bassa o troppo alta.	Il potere del ciclo. Chiamare il servizio tecnico.
Il avanti o indietro LED lampeggia.	Il motore trainante è in sovraccarico.	Fermare e riavviare la macchina. Provare ad abbassare la tensione del film.

Per l'assistenza tecnica, contattare il rappresentante del servizio tecnico (v. 8.2)

7.1 Risoluzione dei problemi di processo

Durante il processo di laminazione, si formano pieghe nell'immagine (1) sulla tavola di alimentazione (2) e sul risultato finale del processo sulla tavola di output.

Ciascuna figura in basso mostra un esempio di formazione di pieghe in cui la causa è dovuta ai rulli principali (3) e fornisce una possibile soluzione.

Attendere lo svolgimento di qualche metro e vedere i risultati.

Per ottenere i migliori risultati, lavorare sempre al centro della macchina.

Eccessiva pressione.

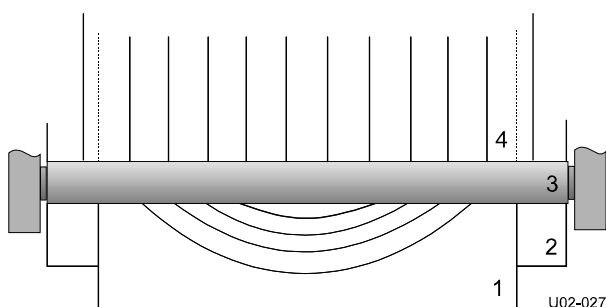


Figura 21: Pieghe causate da eccessiva pressione.

- Contattare il venditore e richiedere assistenza tecnica.

Pressione insufficiente.

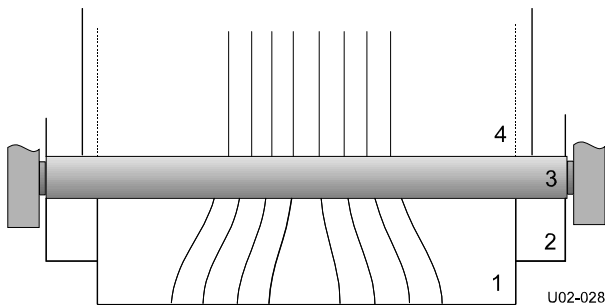


Figura 22: Pieghe causate da pressione insufficiente.

- Contattare il venditore e richiedere assistenza tecnica.

Tensione svolgitore insufficiente.

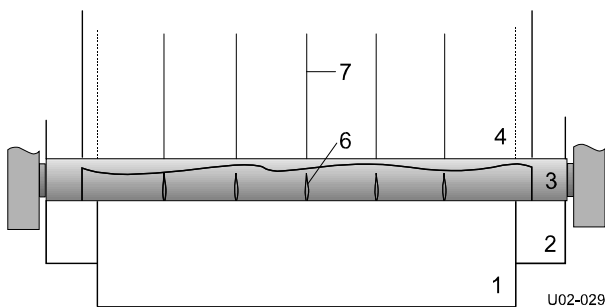


Figura 23: Pieghe causate da insufficiente tensione rullo svolgitore.

- Aumentare la tensione finché le pieghe (6) della pellicola sul rullo spariscono. Spariranno anche le linee (7) sul risultato.

Errore di allineamento rullo.

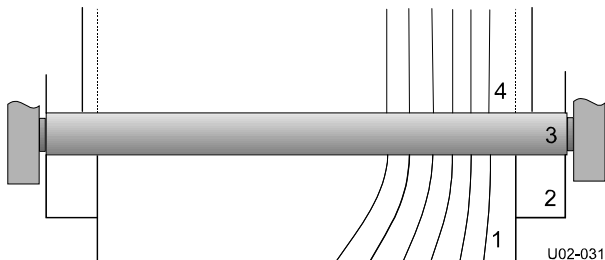


Figura 24: Pieghe causate da errato allineamento del rullo.

Le pieghe si verificano solo su un lato (destra o sinistra).

- Contattare il venditore e richiedere assistenza tecnica.


7.2 Assistenza tecnica

Per richiedere assistenza tecnica, contattare il venditore oppure consultare www.sealgraphics.com per maggiori informazioni. Prima di contattare l'assistenza tecnica, preparare una chiara descrizione del problema.

Tenere a portata di mano tipo e numero di serie della macchina. Questi dati sono riportati sulla targhetta di identificazione della macchina, posta sulla parte posteriore dell'alloggiamento destro.

8 PROCESS CONTROL SHEET

Note: We recommend that you make a photocopy of this page. With each successfully run application, record the process and settings and a diagram of the webbing procedure. Keep the record so the application can be repeated at a later date.

 If a standard image is made available for each new process then sales materials and samples can be developed for reference.

LAMINATOR SETTINGS

Media: _____

 Process: _____
 Application Use: _____
 Upper Unwind Shaft: _____
 Lower Unwind Shaft: _____
 Wind-up Tube: _____
 Motor Speed Setting: _____

WEBBING SETTINGS

Web Tension Upper Unwind Shaft:
 Light / Med. / Heavy _____
 Web Tension Lower Unwind Shaft:
 Light / Med. / Heavy _____
 Nip Height: _____

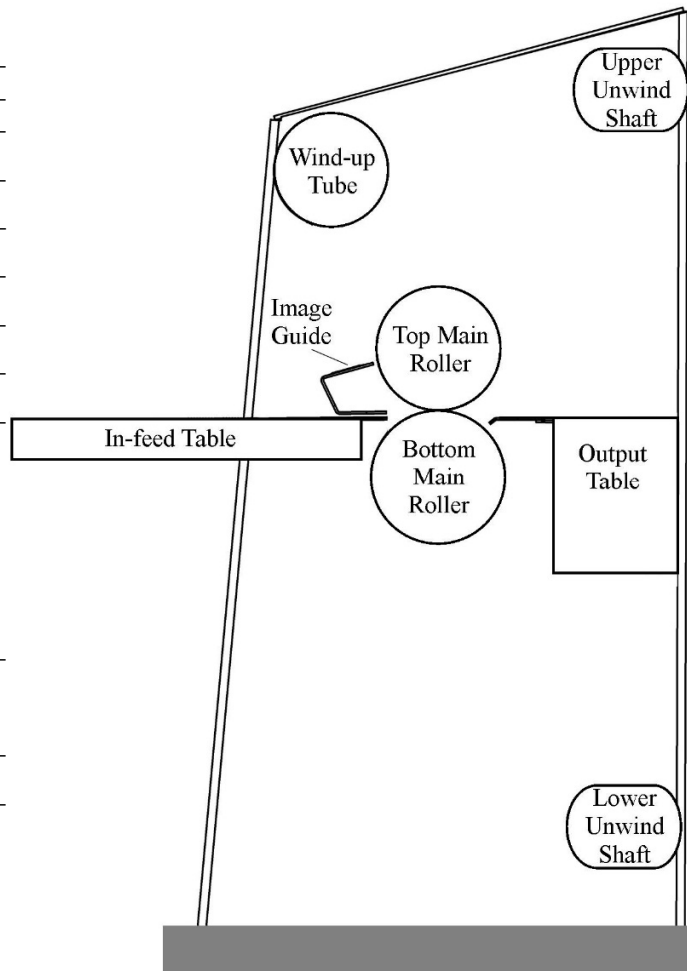


Figure 25: Blank Webbing Diagram

9 GLOSSARIO

Alimentazione (ingresso)

Lato della laminatrice in cui si inseriscono le immagini.

Alimentazione (uscita)

Lato della laminatrice da cui escono le immagini processate.

Decalcomania

Un'immagine laminata sul lato superiore (trasferita per calore o a pressione) con supporto adesivo.

Gioco

L'area di contatto tra i rulli superiore e inferiore.

Laminati sensibili alla pressione

Laminati con un adesivo che forma un legame tra la pellicola protettiva e la superficie dell'immagine da laminare quando viene applicata una pressione. Usati per applicazioni di montaggio rapido e raccomandati per stampe fotografiche e termosensibili.

Mil

Usato per indicare lo spessore del laminato in millesimi di pollici (1 mil = 0,0254 mm).

Montaggio

Applicazione dell'immagine su vari tipi di pannello espanso o substrato.

Pannello di testa

Pannello in espanso di circa 100x10 cm usato per spingere le pellicole nell'area di contatto tra i rulli. Usato anche per il montaggio o per il pre-rivestimento dei pannelli, per evitare che l'adesivo sporchi i rulli e i bordi della pellicola.

Pannello di trascinamento

Pannello liscio non sgualcibile (di solito masonite) rivestito con un adesivo per il montaggio che non rimuove il supporto antiaderente e che fornisce una superficie non adesiva. Si può usare anche un pannello di espanso, ma non avrà la durata del foglio di masonite. I pannelli di trascinamento vengono usati durante la laminazione di un'immagine su un solo lato.

Pre rivestimento

Processo di rivestimento di un supporto con un sottile strato di adesivo da montaggio su cui montare l'immagine.

Pressione

La pressione esercitata sul materiale che passa tra i rulli inferiore e superiore.

Substrato

Materiale su cui l'immagine viene applicata o montata.

Supporto antiaderente

Supporto di un laminato sensibile alla pressione o adesivo per il montaggio che evita che la pellicola si attacchi su se stessa. Dopo aver rimosso il supporto antiaderente, lo strato adesivo resta scoperto.

10 GARANZIA LIMITATA

SEAL® garantisce al primo acquirente che qualsiasi laminatrice SEAL® nuova che risultasse difettosa in materiali o manodopera entro il periodo di validità della garanzia, sarà riparata o, a propria discrezione, sostituita senza costi aggiuntivi. La garanzia applicabile è valida per un anno a partire dalla data di acquisto. I rulli principali sono garantiti solo per difetti di fabbricazione in quanto soggetti a usura in funzione dell'uso della macchina. Questa garanzia non si applica nel caso in cui si rileva che il prodotto non è stato usato per gli usi consentiti.

“Primo acquirente” indica la persona che per primo ha acquistato il prodotto coperto da questa garanzia, senza fine di rivendita. Questa garanzia si estende a ed è applicabile al solo primo acquirente, e solo per il periodo in cui il prodotto, entro i termini consentiti, rimane di proprietà del primo acquirente.

La garanzia stampata in questo manuale non è vincolante e potrebbe non essere esatta per alcuni paesi. Per informazioni specifiche sulla garanzia, contattare il concessionario oppure consultare www.SEALgraphics.com.

ATTENZIONE

LE MODIFICHE O LE VARIAZIONI AL PRODOTTO NON ESPRESSAMENTE APPROVATE DAL PRODUTTORE, ANNULLERANNO L'AUTORITÀ DELL'UTENTE A UTILIZZARE LA MACCHINA.

ATTENZIONE

LE MODIFICHE O VARIAZIONI ALL'APPARECCHIATURA NON AUTORIZZATE E PRIVE DI APPROVAZIONE SCRITTA, ANNULLERANNO LA GARANZIA E TRASFERIRANNO GLI OBBLIGHI DI SICUREZZA ALL'UTILIZZATORE.

Nota:

Questa apparecchiatura è stata collaudata e rispetta i limiti imposti per un'apparecchiatura digitale di classe A, in conformità alle normative FCC, parte 15. Questi limiti sono stati imposti per fornire una sufficiente protezione contro interferenze pericolose se l'apparecchiatura viene usata in ambienti commerciali. Quest'apparecchiatura genera, usa e può emettere energia a radio frequenza. Se non viene installata e usata in conformità con quanto prescritto nel Manuale d'uso, potrebbe causare interferenze dannose alle comunicazioni radio. L'utilizzo di quest'apparecchiatura in ambiente domestico può causare interferenze pericolose, pertanto l'utente è invitato a eliminare le interferenze a proprio carico.

11 INDICE

C		Pressione rullo 120
Caratteristiche tecniche 120		Processi di applicazione..... 130
Condizioni ambiente 122		
D		R
Dichiarazione di responsabilità 117		Requisiti del luogo di lavoro 122
Dimensioni..... 120		ruota folle dell'avvolgitore 129
G		S
Gioco 120		Simboli standard 117
Glossario 143		staffa di interblocco 131
Guida immagine 129		
P		V
Peso 120		Velocità..... 120
		Velocità max..... 120

Contact Us:

SEAL Brands Technical Service – US & Canada

Ph: 1-800-486-6502

Fax: 1-800-966-4554

Email: tsorder@acco.com

SEAL Brands Customer Service – US & Canada

Ph: 1-800-257-7325

Fax: 1-800-966-4554

Email: csorder@acco.com

