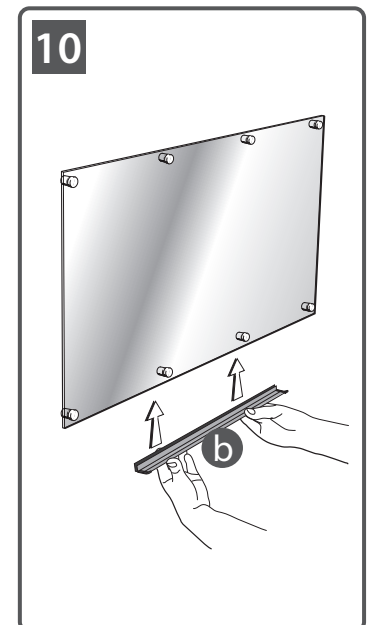
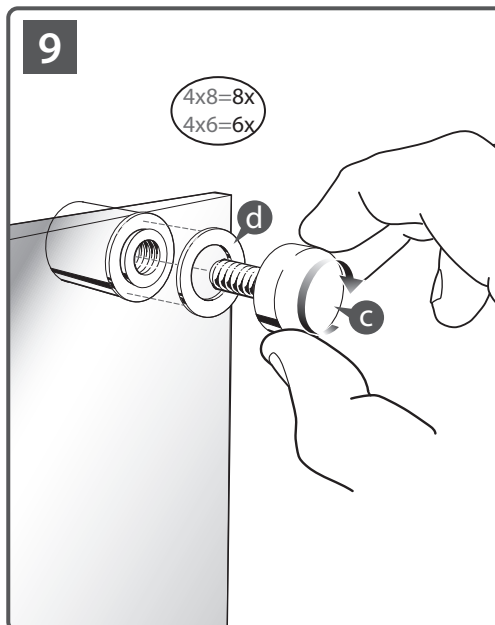
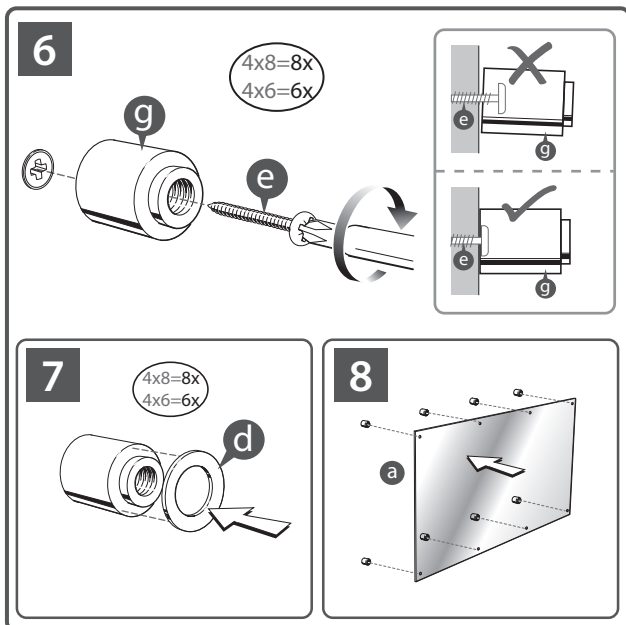
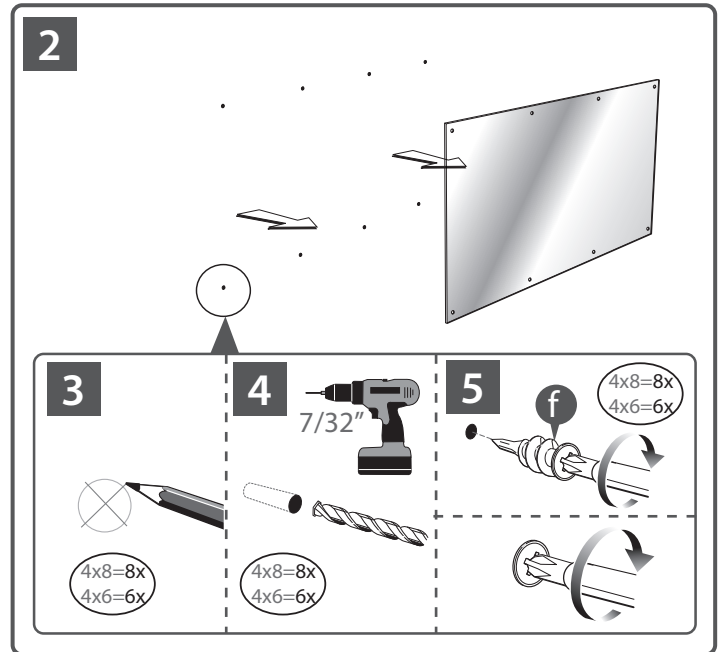
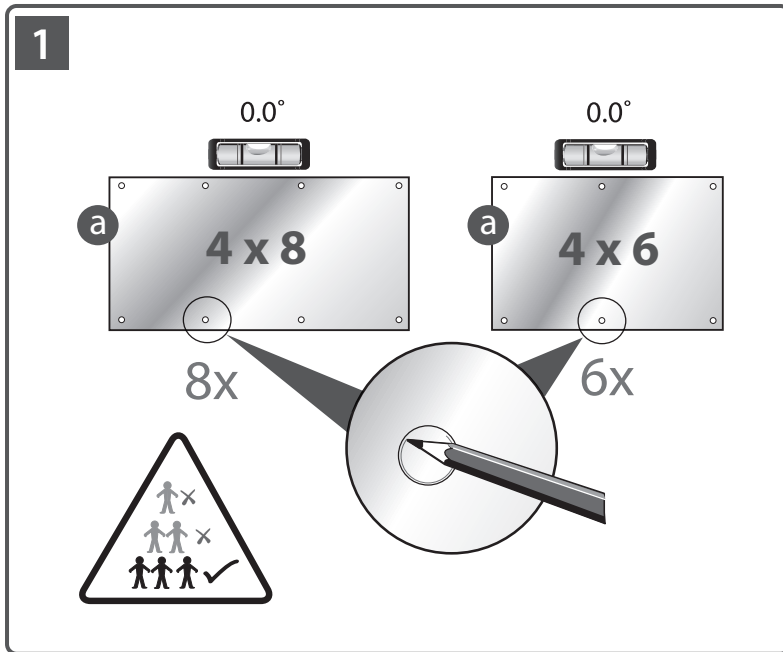
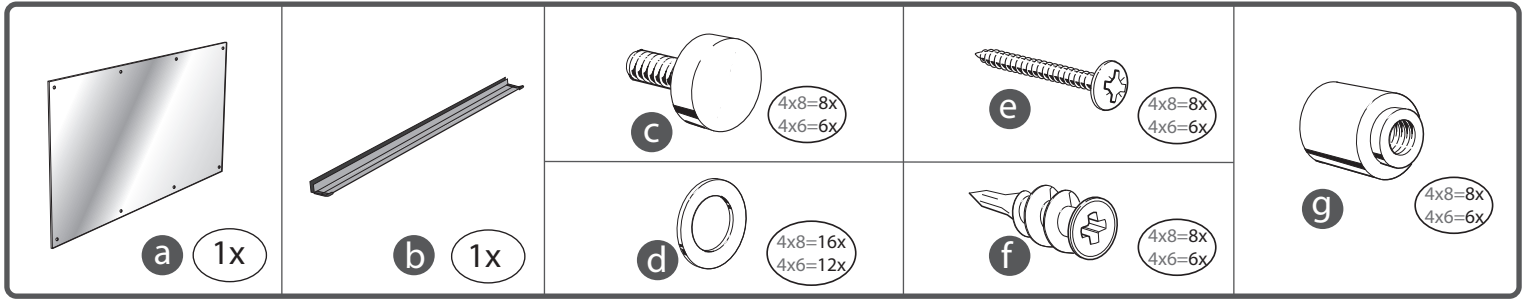


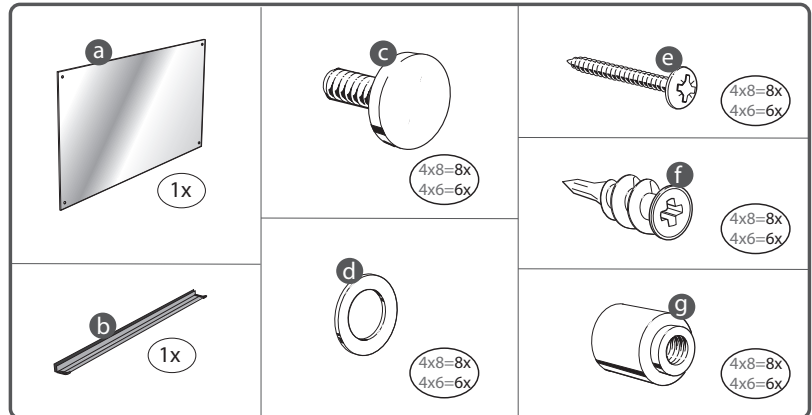
Quartet Brilliance Glass Boards

4 x 6, 4 x 8



What's Included in the Hardware Kit?

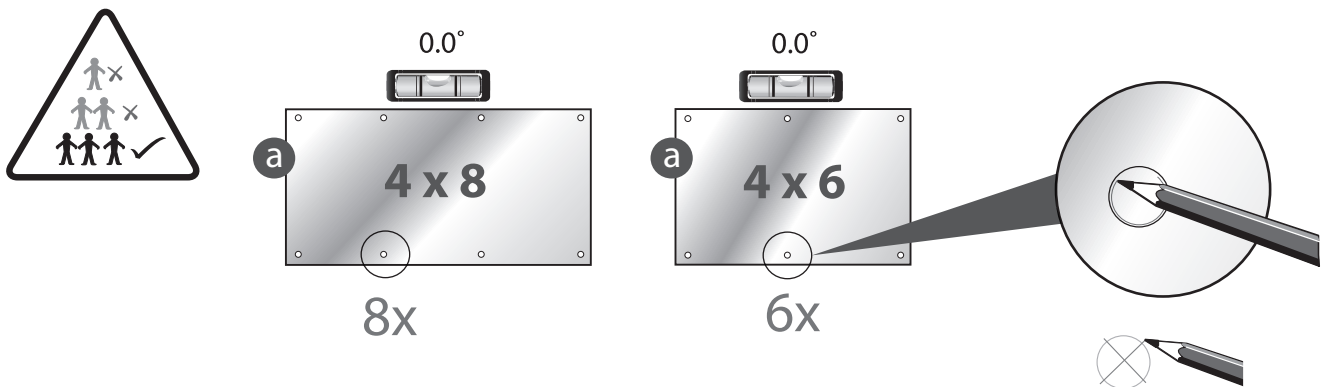
- a** Brilliance Glass Board
- b** Accessories Tray
- c** Metal Threaded Standoff Caps
- d** Washers (2 Washers per Hole)
- e** Phillips Head Screws
- f** Self-Drilling Drywall Anchors
- g** Metal Threaded Standoffs



What Else Do I Need?

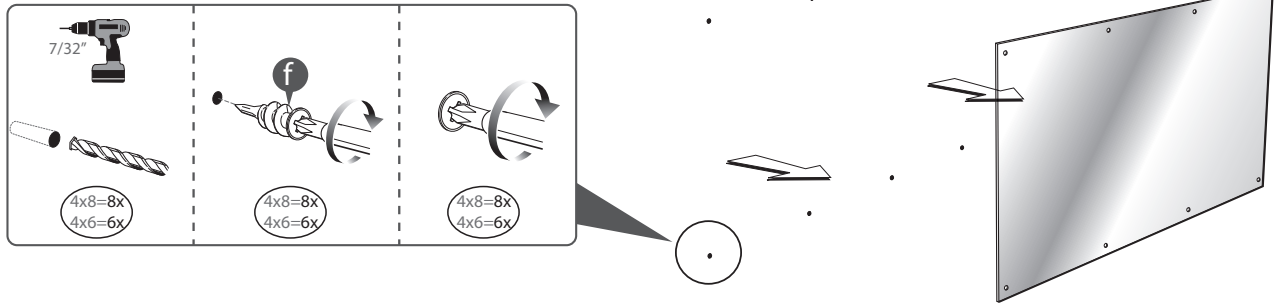
- Pencil
- Level
- Phillips Head Screwdriver
- Power Drill

Step 1 – Prepare for Installation



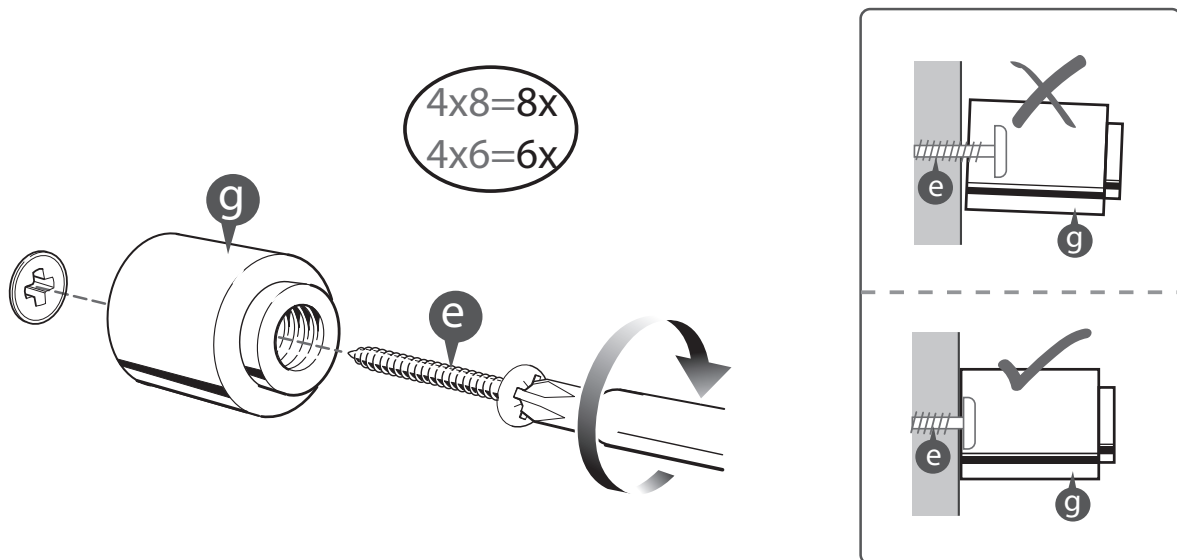
- Make sure you have enough people to install your board. We recommend 3+ people for 72"x48" and 96"x 48" boards.
- Place the Glass Whiteboard (Part A) against the wall in the desired installation location.
- Place a level on top of the board to confirm it is level.
- Use a pencil to mark an "x" in each mounting hole. Extend the lines to the edge of the circle.

Step 2-5 – Insert Wall Anchors



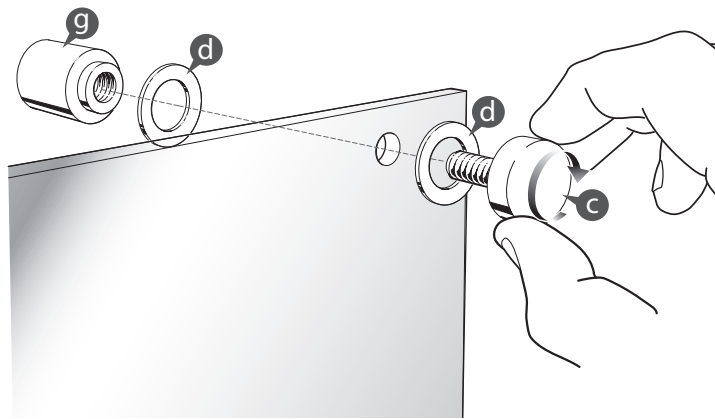
- Carefully remove the glass whiteboard from the wall and place it in a safe spot.
- Use a 7/32" drill bit to create the pilot hole.
- Insert a Self-Drilling Drywall Anchor (Part F) into each of the "x" marks using a Phillips Head screwdriver. Turn clockwise until the head of each anchor is flush with the wall.

Step 6 – Install Standoffs



- Place a Standoff (Part G) over each drywall anchor. Insert a Phillips Head Screw (Part E) through the standoff, into the anchor and tighten.
- The screw should hold the standoff tightly against the wall. Repeat this process for all standoffs.
- Make sure all standoffs are flush against the wall before proceeding.

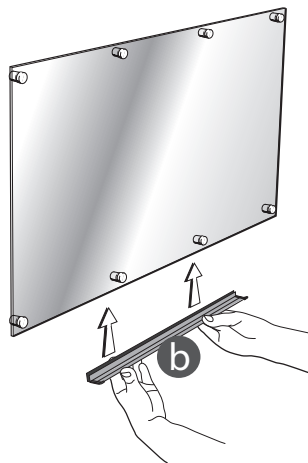
Step 7-9 – Install Glass Board



4x8=8x
4x6=6x

- Place Washers (Part D) on the threaded section of each metal Standoff Cap (Part C). Lift glass whiteboard and align holes with the Standoffs (Part G) on your wall.
- Once all washers are in place: Insert Standoff Caps (Part C) through the whiteboard and into the Barrels (Part G).
- Turn caps clockwise until they are almost tight against the glass dry erase board.
- Repeat steps for all standoffs.
- Fully tighten Standoff Caps once they are all in place. Make sure the standoffs are flush against the board surface.

Step 10 – Attach Accessory Tray



- Starting at an angle, press the Accessories Tray (Part B) up along the bottom of the glass whiteboard.
- The glass should fit between the gap in the back channel of the tray.
- Push the tray up until the bottom of the back channel is fully against the glass.