

Kensington®



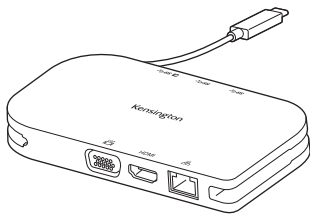
SD1610P USB-C Mobile Dock with Pass-Through Charging

Designed for

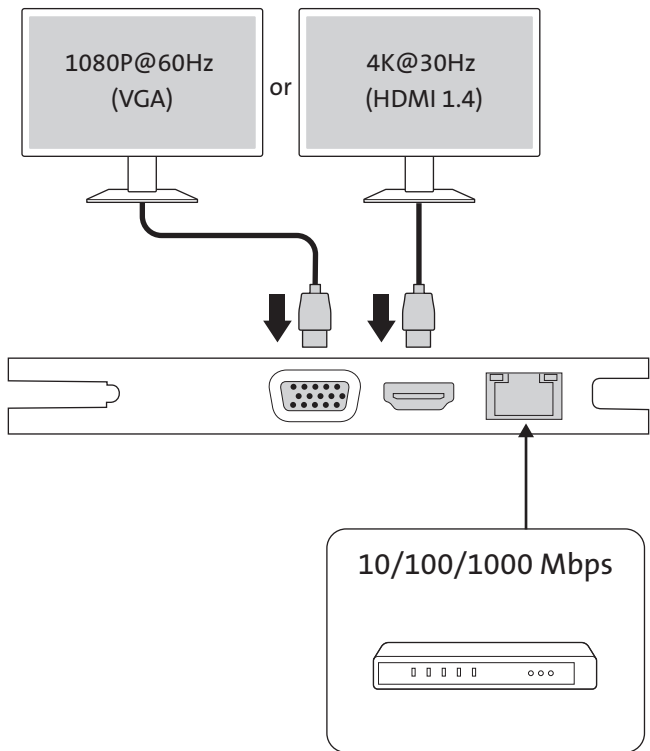


**Microsoft
Surface**

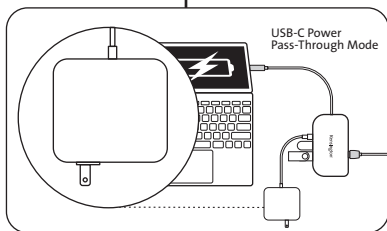
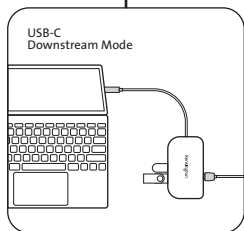
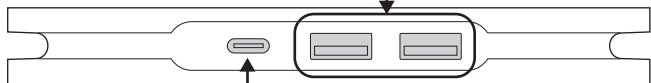
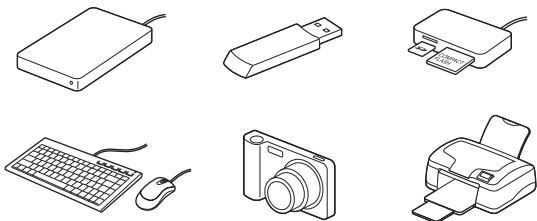
Surface Go
Surface Pro 7
Surface Pro X
Surface Laptop 3
Surface Book 2



kensington.com/register



USB 3.0





Australia	1300 881 931	México	55 15 00 57 00
België / Belgique	02 401 2395	Nederland	010 713 1882
Brasil	14 3235-4003	New Zealand	0800 539 26273
Canada	1 800 268 3447	Norway	80017520
中国	400 0684 219	Österreich	0800 677 783
Denmark	80 250966	Polska	+44 203 364 5390
Deutschland	0692 222 3654	Portugal	800855802
España	911 146 735	Россия	007 495 933 5163
Finland	0800 9 15697	Schweiz / Suisse	044 580 6667
France	01 7671 0404	Singapore	+65-6776-0195
Hong Kong	00852 2823 5130	Sweden	08 5033 6577
Hungary	06 20 9430 612	United Kingdom	0203 364 5390
Ireland	01 431 1395	United States	1 800 535 4242
Italia	02 3604 7030	International Toll	+44 203 364 5390
Japan	+81 04-7129-2135		

© 2019 Microsoft. Microsoft, the Microsoft logo, Microsoft Surface, Surface, and the Microsoft Surface logo are trademarks of the Microsoft group of companies. All other trademarks are the property of their respective owners.

Kensington and the ACCO name and design are registered trademarks of ACCO Brands. All other registered and unregistered trademarks are the property of their respective owners.

©2019 Kensington Computer Products Group, a division of ACCO Brands. Microsoft, the Microsoft logo, Surface Go and Surface Book 2 are trademarks of the Microsoft group of companies. Any unauthorized copying, duplicating, or other reproduction of the contents hereof is prohibited without written consent from Kensington Computer Products Group. All rights reserved. 11/19



Kensington Computer Products Group
A Division of ACCO Brands
1500 Fashion Island Blvd, 3rd Floor
San Mateo, CA 94404



Importer:
LEITZ ACCO Brands GmbH & Co KG
Siemensstraße 64
70469 Stuttgart
Germany

ACCO Brands Canada Inc
7381 Bramalea Rd
Mississauga,
ON L5S 1C4
Canada

ACCO Brands Australia - Kensington
2 Coronation Avenue
Kings Park NSW 2148
Australia

Importado por ACCO Mexicana
S.A. de C.V.
Circuito de la Industria Norte # 6,
Corredor Industrial Toluca Lerma,
Lerma México Cp. 52004
R.F.C. AME640229-1W3

Acco Brands Chile S.A.,
Avda. Presidente Riesco # 5711,
oficina 201 Las Condes,
Santiago, Chile CP 7561114
www.accobrands.cl

Importado e Distribuído por:
TILIBRA PRODUTOS DE PAPELARIA LTDA.
CNPJ: 44.990.901/0001-43
Rua Aymorés, 6-9 – Bauru/SP – Brasil
CEP 17013-900
sac@tilibra.com.br

广州市爱珂贸易有限公司
上海分公司
中国上海市长宁区
延安西路2299号1509室
电话: 021-61368966
传真: 021-61710161
www.accobrands.cn

アコ・ブランド・ジャパン株式会社
〒164-8721
東京都中野区本町1-32-2
ハーモニータワー14F
<https://www.kensington.com/ja-jp>
E-MAIL: JP.Kensington@acco.com

ACCO Brands Asia Pte Ltd
5A Toh Guan Road East #06-03,
Singapore 608830