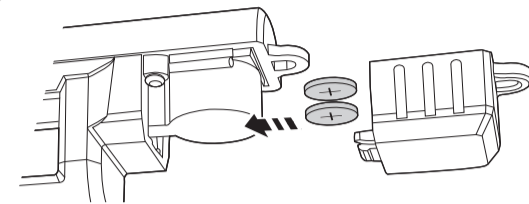


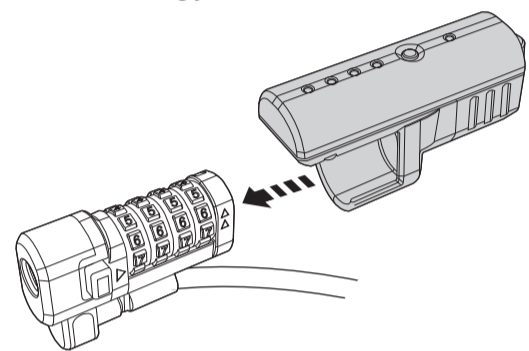
Using the ClickSafe™ Combo Genie to Unlock a ClickSafe™ Master Combination Laptop Lock.

- Ensure that the **Reset Dial** **i** is not pushed in.
- Have available your provided four-digit Administrator Code matched to identified **Master ID** **h** as reference for the following steps. If you do not have your administrator Code, please contact Kensington Customer Service at 1-800-235-6708 – press 4 then 1, or send email to customsecurity@kensington.com.

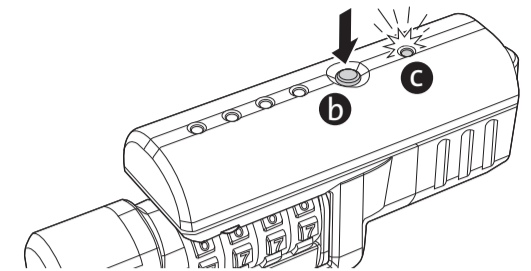
1 Install Batteries.



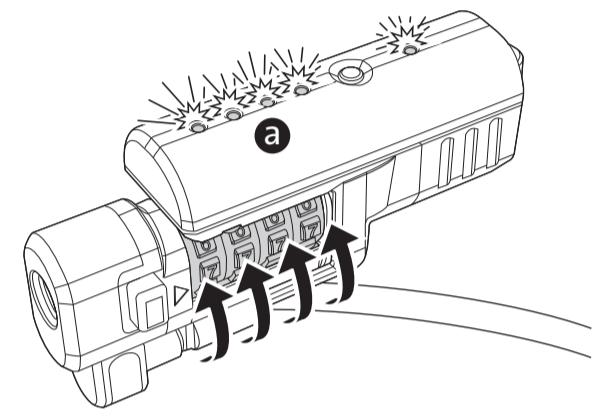
2 Slide the Combo Genie over the ClickSafe Master Combination Laptop Lock completely, and push until it fits snugly.



3 Push the black Power Button **b** to activate the Combo Genie. The power Light **c** LED will turn on, indicating that the Combo Genie is active.



4 With the Combo Genie is attached and powered on, rotate one of the Combination Lock's Dials, one number at a time, until the Indicator Light **a** LED for that dial is lit. Process to the next dial and repeat until all four Indicator Lights **a** LEDs are lit.

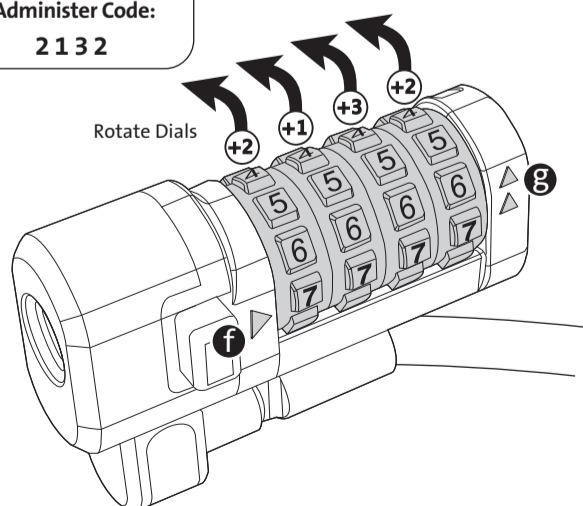


5 Once all four Indicator Lights **a** are lit, remove the Combo Genie from Combination Lock.

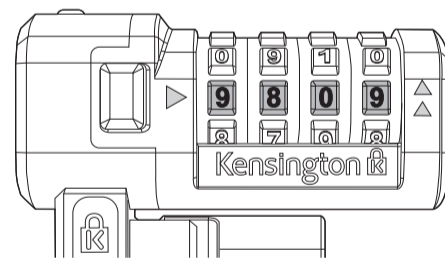
- Find a **Master ID** **h** for your Combination Lock from indicated position.
- Use Administrator Code to rotate each dial sequentially in direction indicated by the **Directional Arrows** **g**: Starting from the leftmost dial beside **Alignment Arrow** **f**, rotate the first dial according to the first digit in your administrator code, then rotate the second dial according to the second digit of the Administrator code, and continue until all four dials have been rotated.

(In the example shown, the first digit of the Administrator Code is "2", therefore the first dial is advance two clicks. The second digit of the administrator code is "1", so the second dial is rotated one click, etc.)

Example Administrator Code:
2 1 3 2



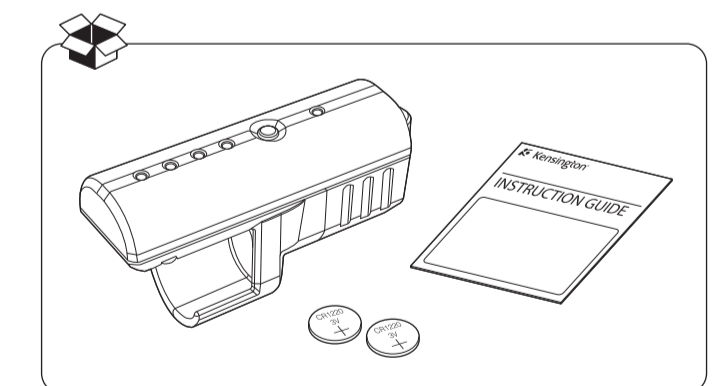
6 The combination that now appears between the Alignment Arrows and Directional Arrows is the current User Set Combination.



Kensington®

ClickSafe™ Combination Combo Genie

INSTRUCTION GUIDE



This Combo Genie tool kit works in conjunction with an assigned administrator Code matched to Master ID of ClickSafe™ Master Combination Laptop Lock. Please contact Kensington to obtain your Administrator Code.

Kensington and the ACCO name and design are registered trademarks of ACCO Brands. The Kensington Promise is a service mark of ACCO Brands. All other registered and unregistered trademarks are the property of their respective owners. Covered by one or more of US Pat. No's 6,081,974; 6,317,936; 6,360,405.

©2011 Kensington Computer Products Group, a division of ACCO Brands. Any unauthorized copying, duplicating, or other reproduction of the contents hereof is prohibited without written consent from Kensington Computer Products Group. All rights reserved. 11/11

TWO YEAR LIMITED WARRANTY / Pour tout support technique veuillez visiter: www.kensington.com

The Kensington Promise™

Complete warranty terms are available at: www.warranty.kensington.com

Kensington Computer Products Group A Division of ACCO Brands 333 Twin Dolphin Drive, 6th Floor Redwood Shores, CA 94065	ACCO Brands Europe Oxford House Oxford Road Aylesbury Bucks, HP21 8SZ United Kingdom	ACCO Brands Canada 5 Precidio Court Brampton Ontario, L6S 6B7 Canada	ACCO Australia Level 2, 8 Lord St Botany NSW 2019 PO Box 311 Rosebery NSW 1445 Australia
--------------------------------------------------------------------------------------------------------------------------------------------	------------------------------------------------------------------------------------------------------------	-----------------------------------------------------------------------------------------	----------------------------------------------------------------------------------------------------------------

Register Now!
register.kensington.com