

K63380_901-5349-00_IG
 Folded size: 95 mm X 140 mm
 Trim size: 380 mm X 140 mm

!

IMPORTANT! REGISTER YOUR KEY CODE! /
 IMPORTANT! ENREGISTREZ VOTRE CODE CLÉ! /
 WICHTIG! REGISTRIEREN SIE IHREN KEYCODE! /
 BELANGRIJK! REGISTRER UW SLEUTELCODE! /
 IMPORTANTE! EFFETTUARE LA REGISTRAZIONE DEL
 CODICE DELLA CHIAVE /
 IMPORTANTE: REGISTRE EL CÓDIGO DE LA LLAVE /
 FONTOS! REGISZTRÁLJA A KULCSKÓDJÁT! /
 DŮLEŽITÉ! REGISTRUJTE KÓD SVĚHO KLÍČE! /
 WAŻNE! ZAREJSTRUJ KOD KLUCZYKA! /
 ВАЖНО! ЗАРЕГИСТРИРУЙТЕ СВОЙ КОД КЛЮЧА! /
 IMPORTANTE! FAÇA O REGISTO DO SEU CÓDIGO CHAVE! /
 مهم! تسجيل رمز المفتاح الخاص بك!

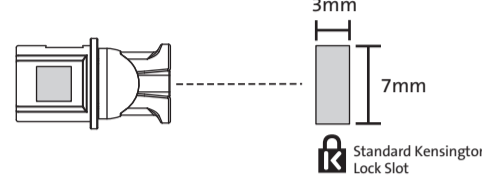


register.kensington.com

#

2

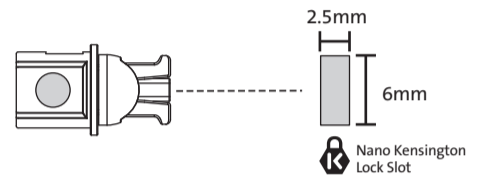
A Standard Kensington Lock Tip



Standard Kensington Lock Slot

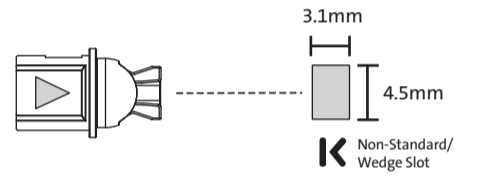
3

B Nano Kensington Lock Tip

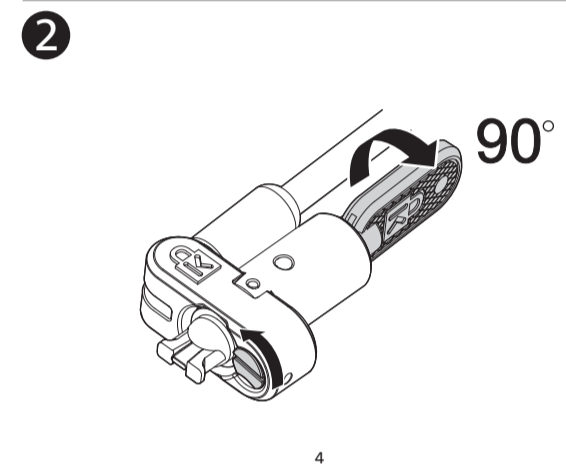
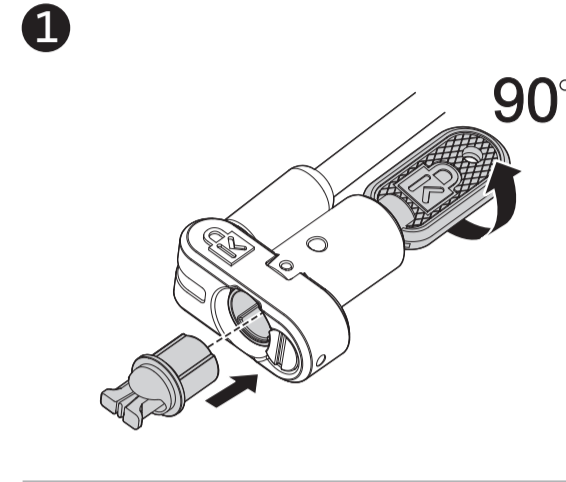


Nano Kensington Lock Slot

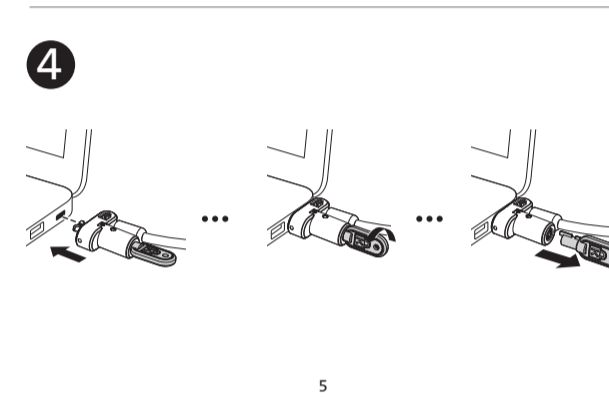
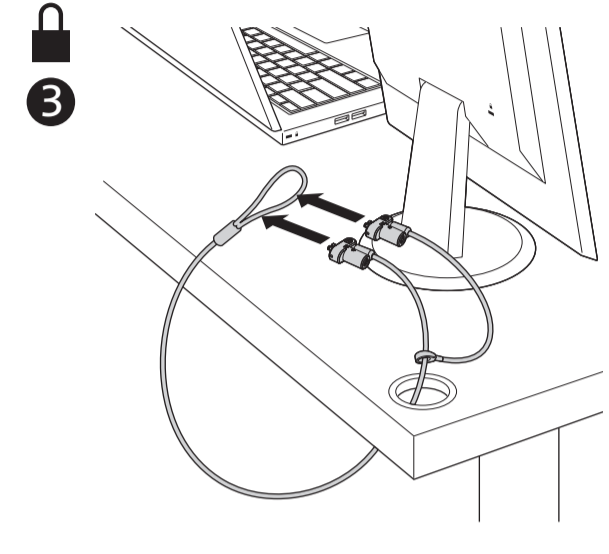
C N17 Kensington Lock Tip



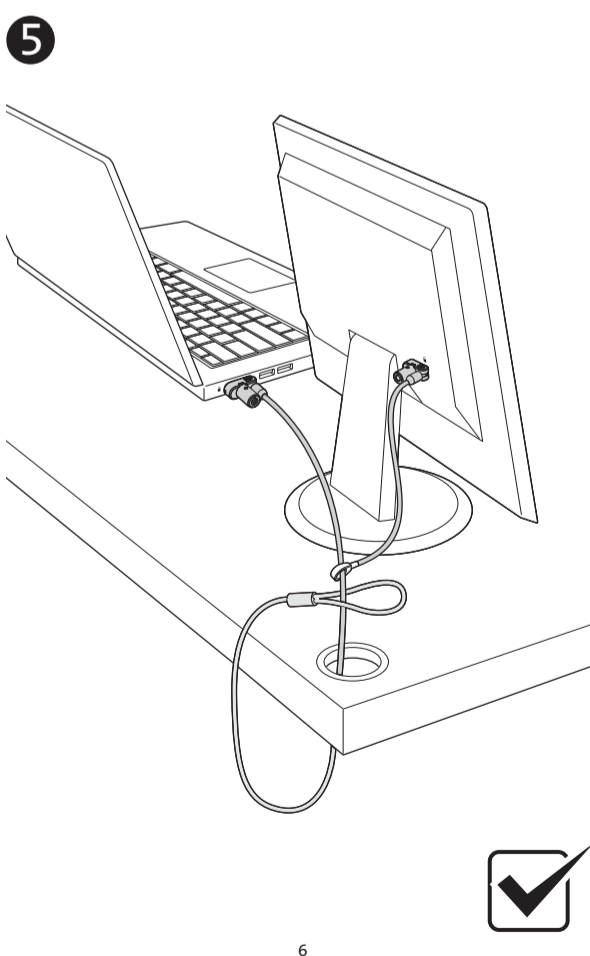
Non-Standard/
Wedge Slot



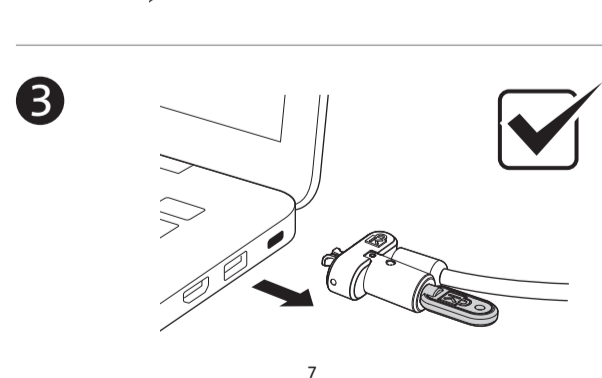
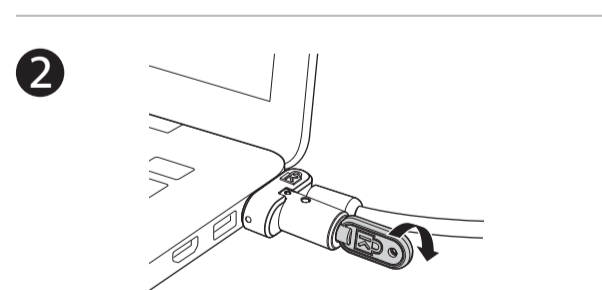
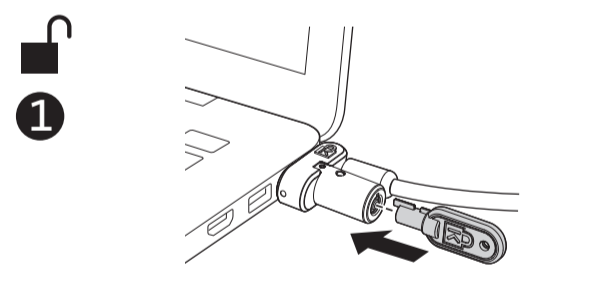
4



5



6



7

Kensington and the ACCO name and design are registered trademarks of ACCO Brands All other registered and unregistered trademarks are the property of their respective owners. Covered by one or more of US Pat. No's 6,081,974; 6,317,936; 6,360,405.
 ©2021 Kensington Computer Products Group, a division of ACCO Brands. Any unauthorized copying, duplicating, or other reproduction of the contents hereof is prohibited without written consent from Kensington Computer Products Group. All rights reserved. 05/21



Kensington Computer Products Group
 A Division of ACCO Brands
 1500 Fashion Island Blvd, 3rd Floor
 San Mateo, CA 94404, USA

Importer: ACCO UK Ltd. Oxford House, Oxford Road Aylesbury, Buckinghamshire, HP21 8SZ United Kingdom	ACCO Brands Canada Inc 7381 Bramalea Rd Mississauga, ON L5S 1C4, Canada https://accobrandscanada.com/	ACCO Brands Australia - Kensington 2 Coronation Avenue Kings Park NSW 2148 Australia
Importer: LEITZ ACCO Brands GmbH & Co KG Siemensstraße 64 70469 Stuttgart Germany	Importado e Distribuído por: Tibiza Produtos De Papelaria Ltda. CNPJ: 44.990.901/0001-43 Rua Aymorés, 6-9 – Bauru/SP – Brasil CEP: 13013-900 sac@tibiza.com.br	Dystrybutor: Essette Polska Sp. z o.o., ul. Przemysłowa 11A, 26-900 Kozienice
ACCO Brands Chile S.A., Avda. Presidente Riesco # 5711, oficina 201, Las Condes, Santiago, Chile CP 7763114 www.accobrands.cl	Distributor: Essette Sales SRL, Gheorghe Tîrăica 121C, Sector 2, București, România	Distributor: Essette, s.r.o., V Lužích 818, 145 00 Praha 4, Česká republika
Forgalmazza: Essette Kft, Yaci ut 76, V. torony 1. emelet, 1133 Budapest, Magyarország	Дистрибутор: Essette Polska Sp. z o.o., ul. Przemysłowa 11A, 26-900 Kozienice Импортёры: "АБДІ Комапані" АК, Алматы к., Сайкүлтин даңы. 465/191	Дистрибутор: Essette, s.r.o., V Lužích 818, 145 00 Praha 4, Česká republika
Импортер: ООО «Эссетт», Россия, 125040, Москва, 3-й этаж, Вязового поля, д.18, тел. +74959933-27-63	アコブランドジャパン株式会社 〒164-8721 東京都中央区本町1-32-2 1F イーモーター14F http://www.kensington.com/jp-IP E-MAIL: JP.Kensington@acco.com	广州市爱理贸易有限公司 广州市天河区林和西路159号 中泰国际中心5楼, 501701室 邮编: 510620 电话: 400-600-4599 网址: http://www.kensington.com/zh-CN 邮箱: info@kensington.com

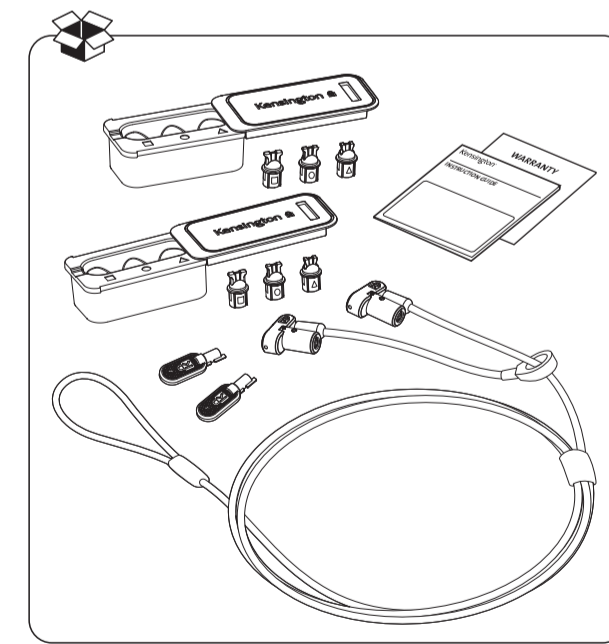
K63380/K63381

901-5349-00

Kensington®



Universal 3-in-1 Keyed Cable Lock – Twin Lockheads



 kensington.com/register