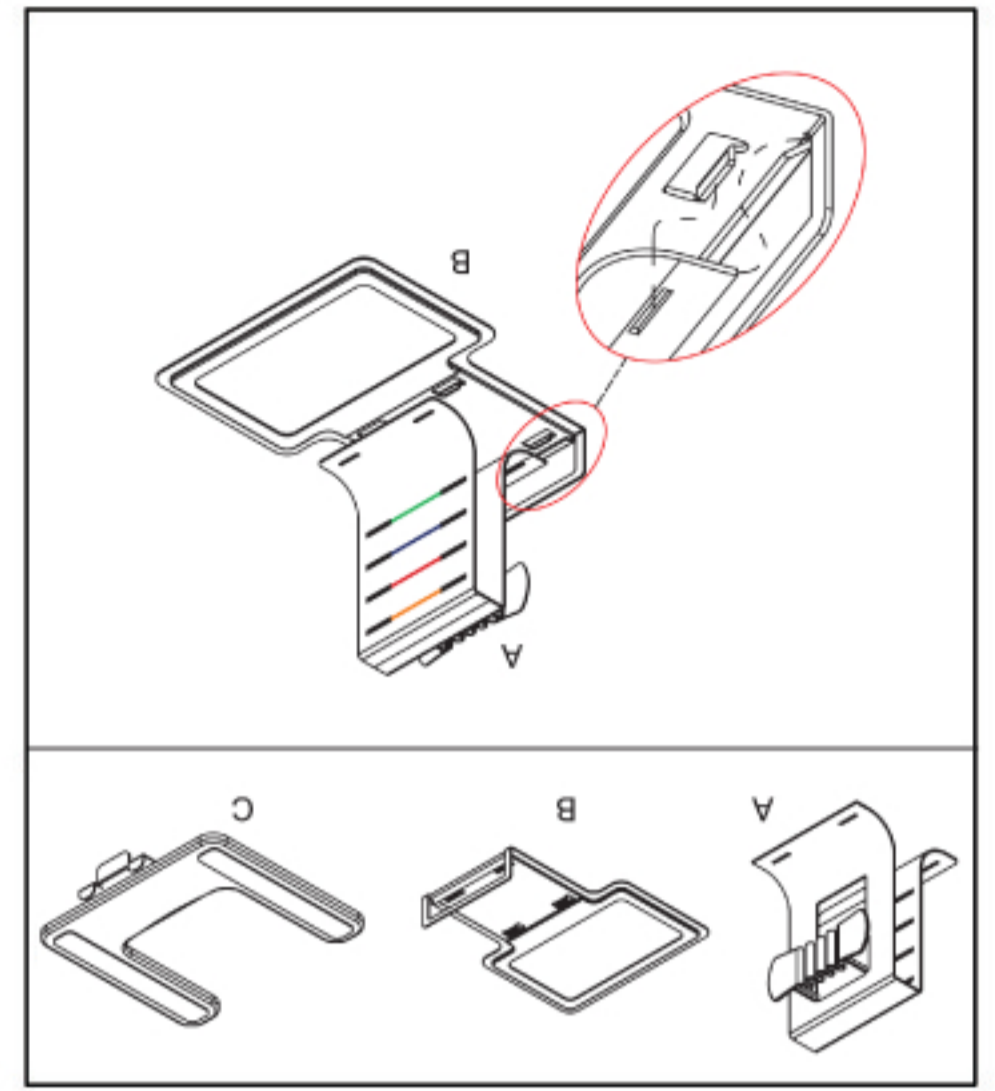
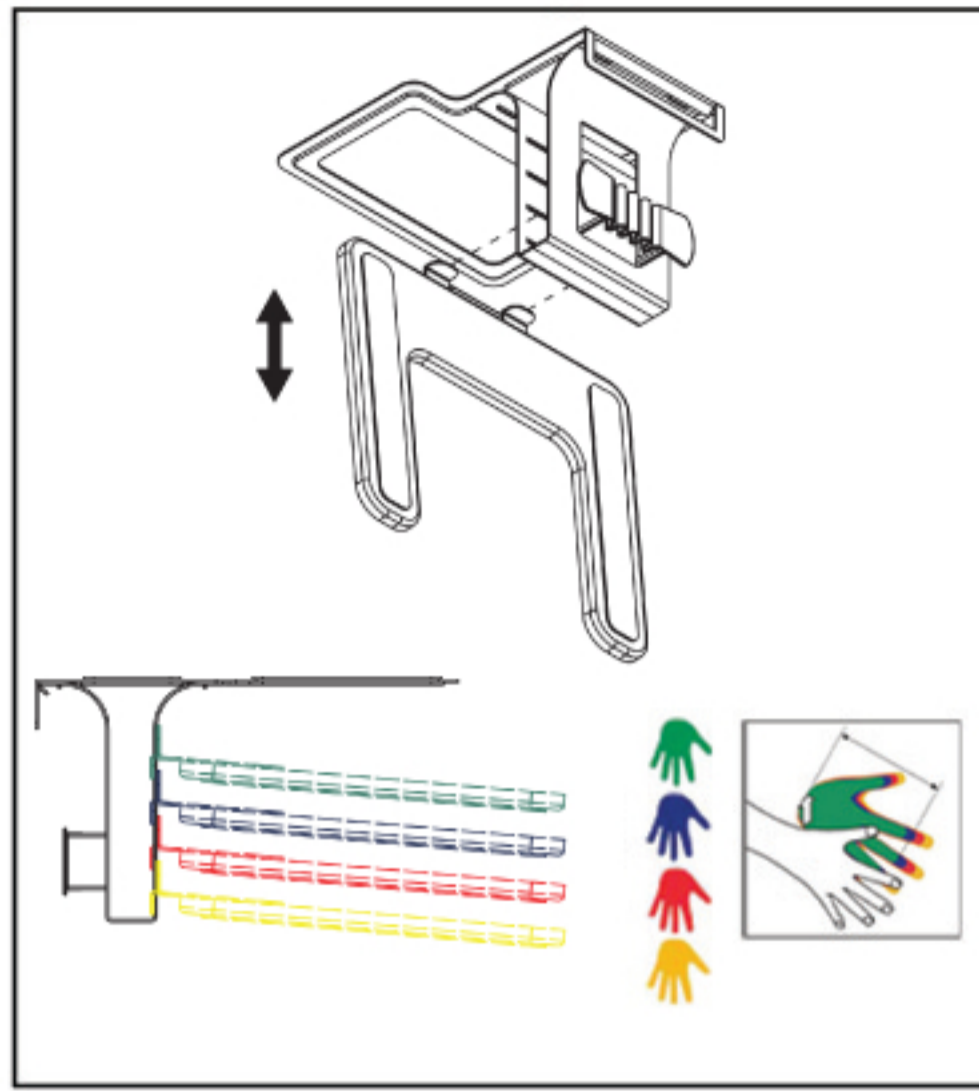
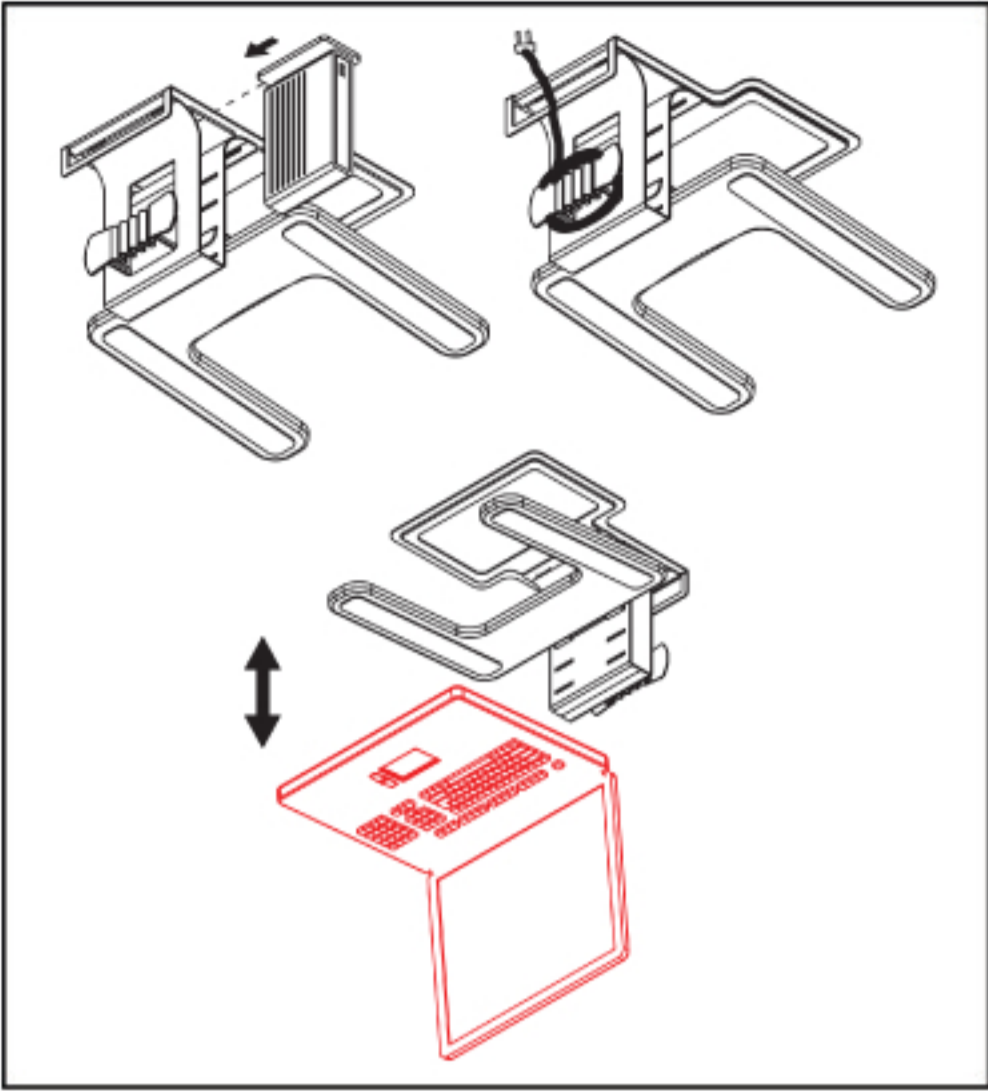


901-2443-01
K60726

US Patent #7,165,715 and #7,188,772
Brevet US7,165,715 et 7,188,772

Kensington is a registered trademark of ACCO Brands. All other registered and unregistered trademarks are the property of their respective owners. © 2010 Kensington Computer Products Group, a division of ACCO Brands. All rights reserved. 06/10
www.kensington.com
USA
333 Twin Dolphin Drive 6th Floor
Riverside, CA 92505
Kensington Computer Products Group
Kensington Computer Products Group
A Division of ACCO Brands Europe
Akeley House, Oxford Road
Macclesfield, Cheshire, SK11 9BZ
United Kingdom
ACCO Canada Inc.
5 Precipio Court,
Brampton, Ontario,
Canada L6S 6B7
ACCO Australia
Level 2, 8 Lord St
Bosny NSW 2019
Australia



Kensington

Kensington®

Adjustable Laptop Stand

Adjustable Laptop Stand

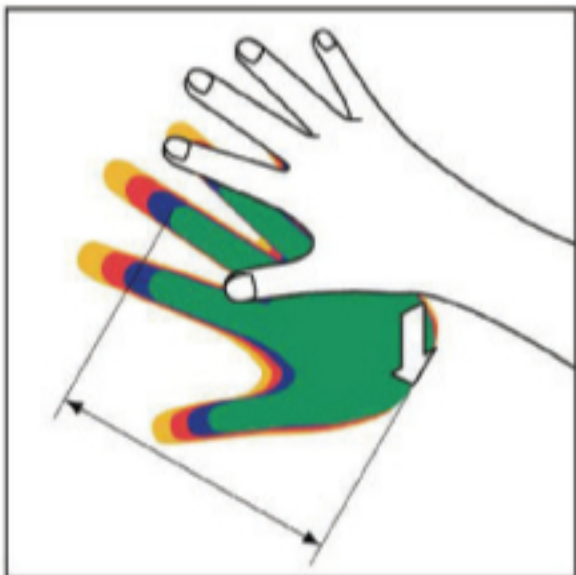
Support réglable pour ordinateur portable

Verstellbarer Laptop-Halter

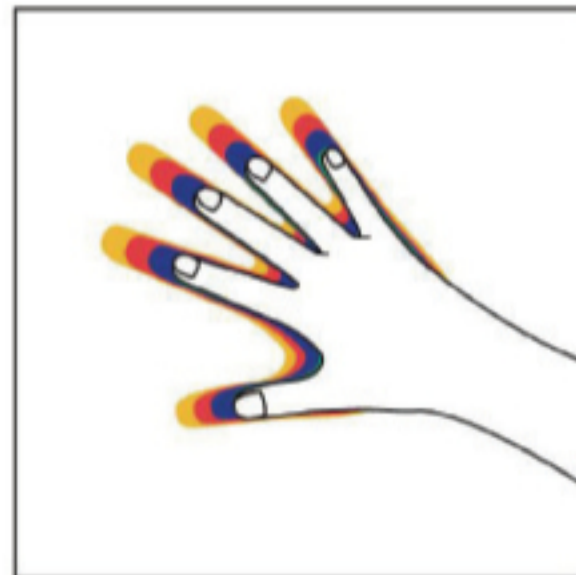
Verstelbare laptopstandaard

Base per laptop regolabile

Soporte de portátil ajustable



1



2

1.

2.

3.



SmartFit