

Kensington®



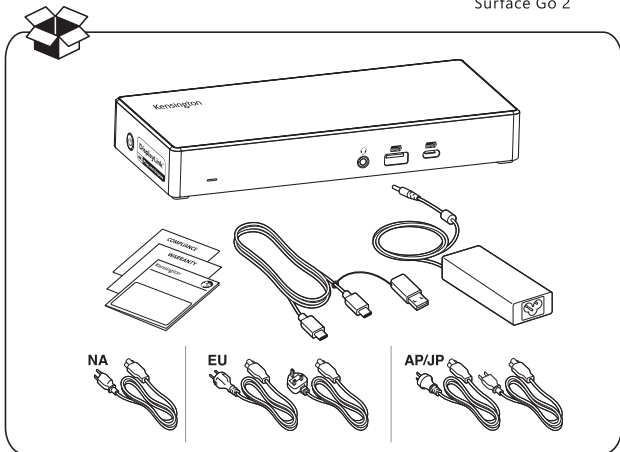
SD4785P USB-C & USB 3.0 Dual 4K Docking Station (DFS)

Designed for



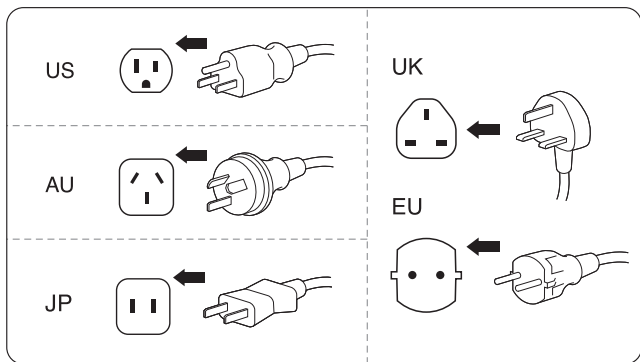
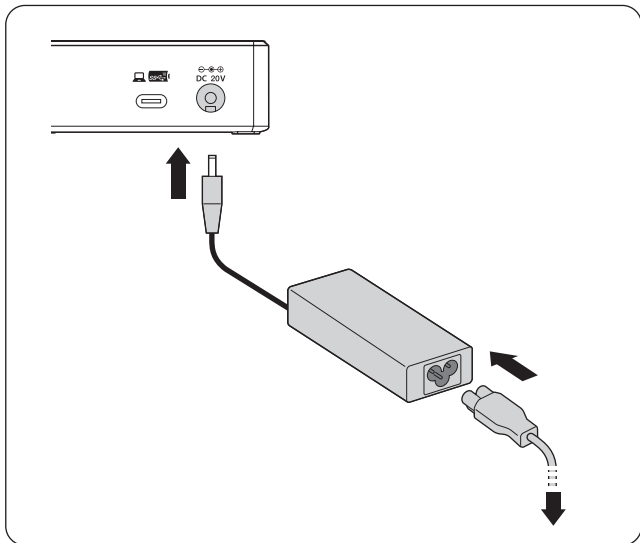
**Microsoft
Surface**

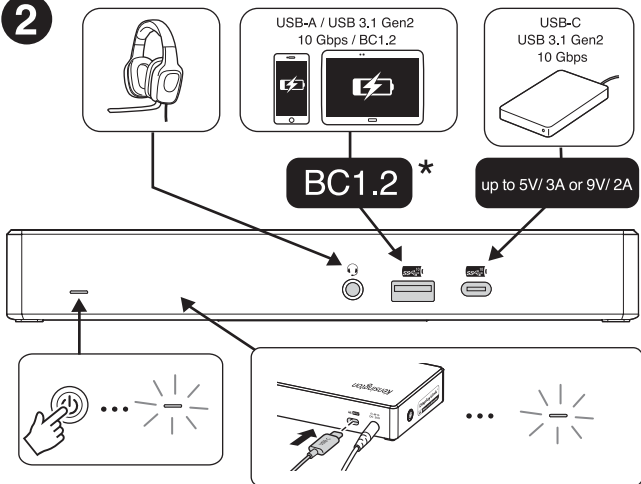
Surface Pro 7
Surface Laptop 3
Surface Pro X
Surface Laptop Go
Surface Book 3
Surface Go 2



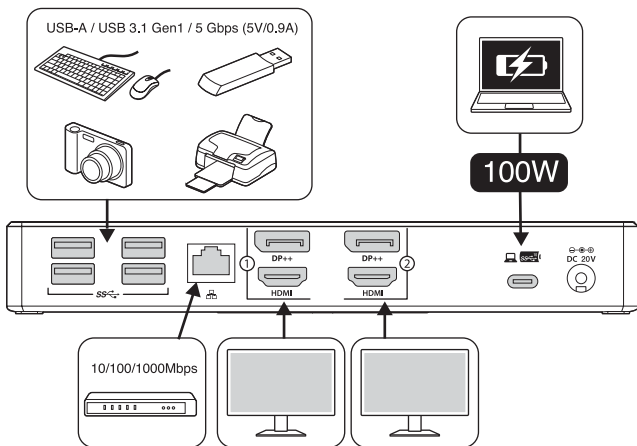
[kensington.com/register](https://www.kensington.com/register)

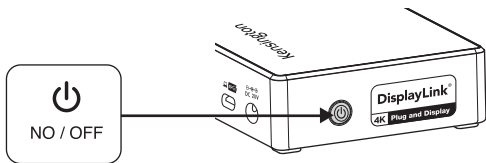
1



2

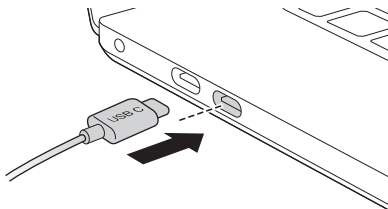
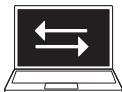
* USB Battery Charging 1.2-compliant devices (up to 5V/ 2.4A for Apple Devices)



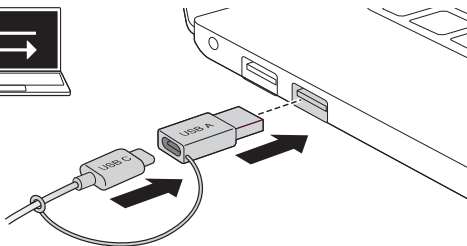
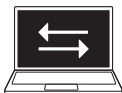


3

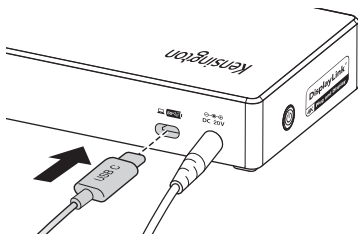
a



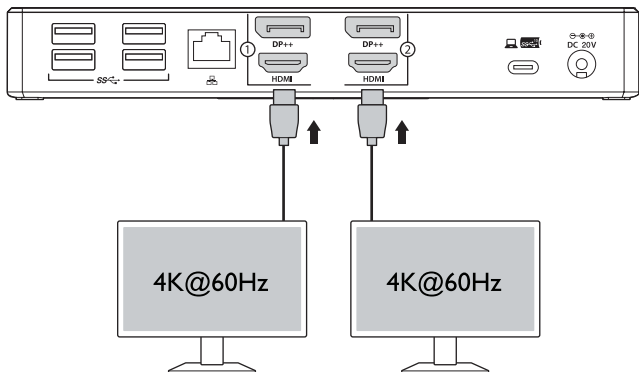
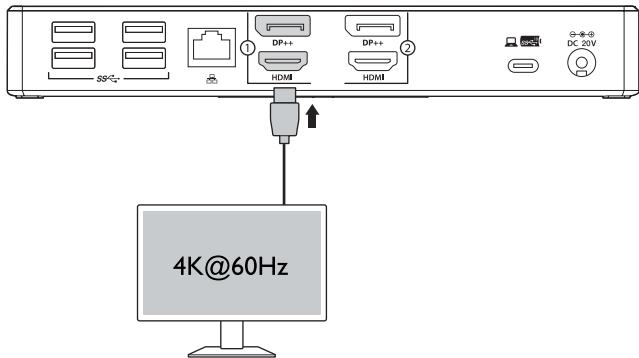
b



4



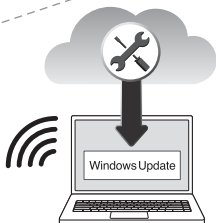
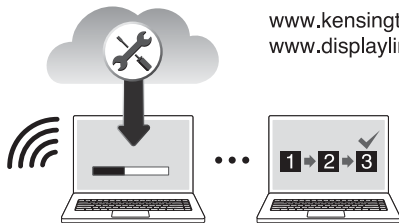
5



6

Windows 10 / macOS / Chrome OS

www.kensington.com/software
www.displaylink.com/downloads



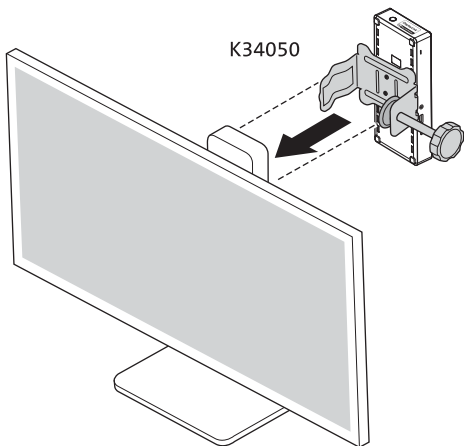
Windows Update

?

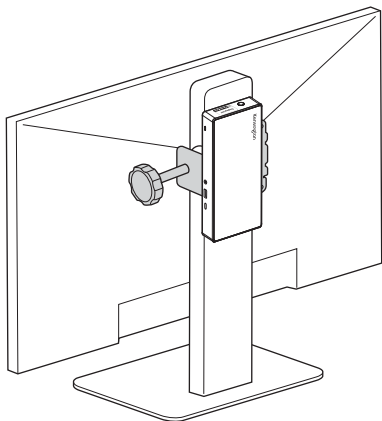
www.kensington.com/support

Sold separately

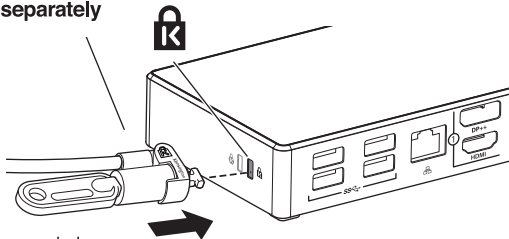
1



2

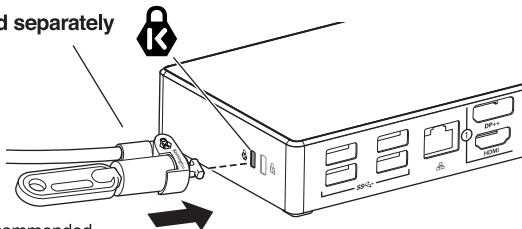


Sold separately

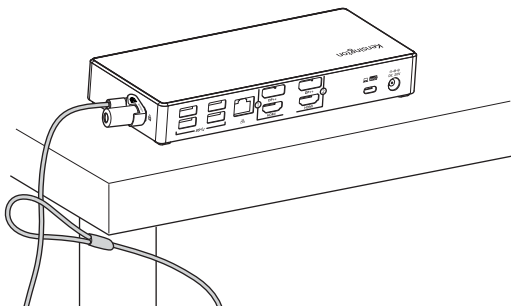


Recommended
K65020WW MicroSaver®2.0 Keyed Lock

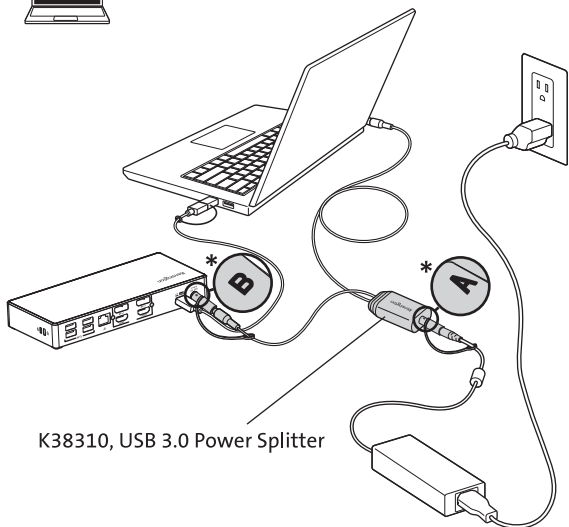
Sold separately



Recommended
K64444WW NanoSaver™ Keyed Laptop Lock



Sold separately



K38310, USB 3.0 Power Splitter

* K38311 SD4780P Power Tips for 60W Power Splitter
Power delivery to host: 60W

Kensington and the ACCO name and design are registered trademarks of ACCO Brands. All other registered and unregistered trademarks are the property of their respective owners.

©2021 Kensington Computer Products Group, a division of ACCO Brands. Any unauthorized copying, duplicating, or other reproduction of the contents hereof is prohibited without written consent from Kensington Computer Products Group. All rights reserved. 01/21

©2021 Microsoft. Microsoft, the Microsoft logo, Microsoft Surface, Surface, and the Microsoft Surface logo are trademarks of the Microsoft group of companies. All other trademarks are the property of their respective owners.



Kensington Computer Products Group
A Division of ACCO Brands
1500 Fashion Island Blvd, 3rd Floor
San Mateo, CA 94404, USA

Importer:

LEITZ ACCO Brands GmbH & Co KG
Siemensstraße 64
70469 Stuttgart
Germany

ACCO Brands Canada Inc

7381 Bramalea Rd
Mississauga, ON L5S 1C4
<https://accobrandscanada.com/>

Importer:

ACCO UK Ltd.
Oxford House, Oxford Road
Aylesbury, Buckinghamshire, HP21 8SZ
United Kingdom

ACCO Brands Chile S.A.,

Avda. Presidente Riesco # 5711,
oficina 201
Las Condes, Santiago, Chile
CP 7561114
www.accobrands.cl

Importado e Distribuído por:

Tilibra Produtos De Papelaria Ltda.
CNPJ: 44.990.901/0001-43
Rua Aymorés, 6-9 – Bauru/SP – Brasil
CEP 17013-900
sac@tilibra.com.br

ACCO Brands Australia -

Kensington
2 Coronation Avenue
Kings Park NSW 2148
Australia

Forgalmazza:

Essekte Kft, Váci út 76. V. torony
I. emelet,
1133 Budapest,
Magyarország

Distribuitor:

Essekte Sales SRL,
Gheorghe Titeica 121C,
Sector 2, București,
România

Dystrybutor:

Essekte Polska Sp. z o.o., ul.
Przemysłowa 11A, 26-900
Kozienice

Импортер:

ООО «Эссельте», Россия,
125040, Москва, 3-я улица
Ямского поля, д.18, тел.
+7(495)933-27-63

ДИСТРИБЬЮТОР:

Essekte Polska Sp. z o.o., ul.
Przemysłowa 11A, 26-900
Kozienice
Импортер: "АБДИ Компани" АҚ,
Алматы қ., Сейфуллин даңғ. 465/191

Distribútor:

Essekte, s.r.o., V Lužích 818,
142 00 Praha 4,
Česká republika

广州市爱珂贸易有限公司

广州市天河区林和西路159号
中泰国际北塔5楼, 501/701室
邮编: 510620
电话: 400 600 4599
网址: <https://www.kensington.com/zh-CN>
邮箱: infocn@kensington.com

アコ・ブランド・ジャパン株式会社

〒164-8721
東京都中野区本町1-32-2
ハーモニータワー14F
<https://www.kensington.com/ja-jp>
E-MAIL: JP.Kensington@acco.com

Дистрибутор:

Essekte Polska Sp. z o.o., вулиця
Пшемислова, 11А, 26-900 Козеніц