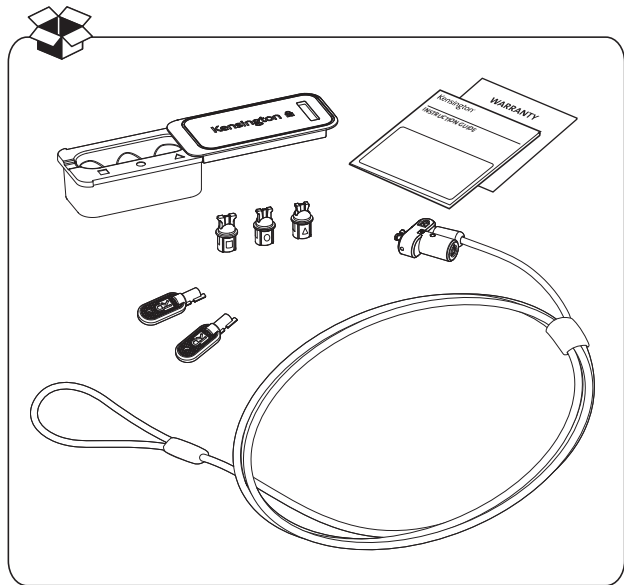


# Kensington®



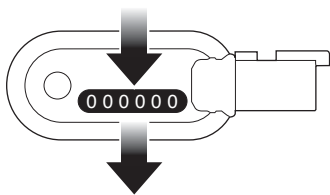
Universal 3-in-1 Keyed Laptop Lock Standard Keyed  
Universal 3-in-1 Keyed Laptop Lock Master Keyed  
Universal 3-in-1 Keyed Laptop Lock – Supervisor



[kensington.com/register](http://kensington.com/register)



IMPORTANT! REGISTER YOUR KEY CODE! /  
IMPORTANT! ENREGISTREZ VOTRE CODE CLÉ! /  
WICHTIG! REGISTRIEREN SIE IHREN KEYCODE! /  
BELANGRIJK! REGISTREER UW SLEUTELCODE! /  
IMPORTANTE! EFFETTUARE LA REGISTRAZIONE DEL  
CODICE DELLA CHIAVE /  
IMPORTANTE: REGISTRE EL CÓDIGO DE LA LLAVE /  
FONTOS! REGISZTRÁLJA A KULCSKÓDJÁT! /  
DŮLEŽITÉ! REGISTRUJTE KÓD SVÉHO KLÍČE! /  
WAŻNE! ZAREJESTRUJ KOD KLUCZYKA! /  
ВАЖНО! ЗАРЕГИСТРИРУЙТЕ СВОЙ КОД КЛЮЧА! /  
IMPORTANTE! FAÇA O REGISTO DO SEU CÓDIGO CHAVE! /  
مهم! تسجيل رمز المفتاح الخاص بك!

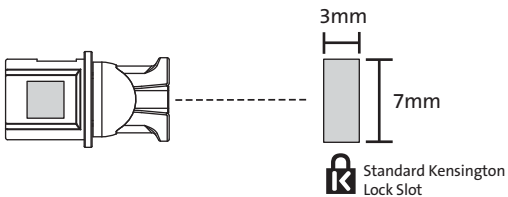


**register.kensington.com**

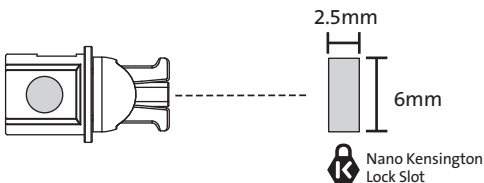
#

--	--	--	--	--	--

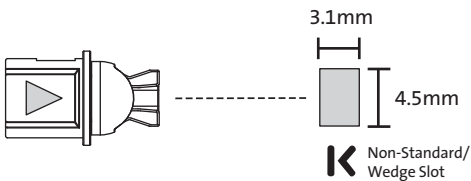
**A** Kensington Standard Lock Tip



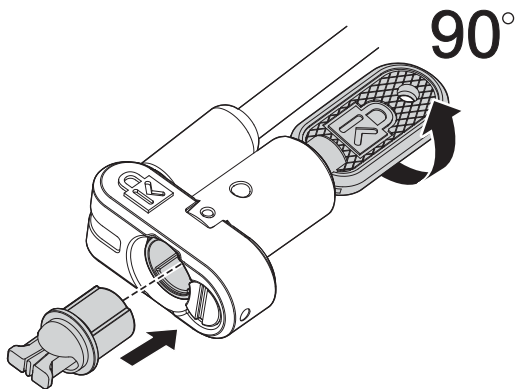
**B** Kensington NanoSaver® Lock Tip



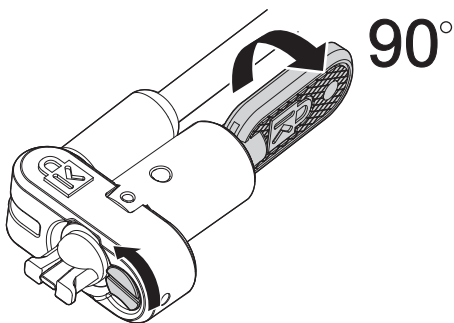
**C** Kensington N17 Lock Tip



1

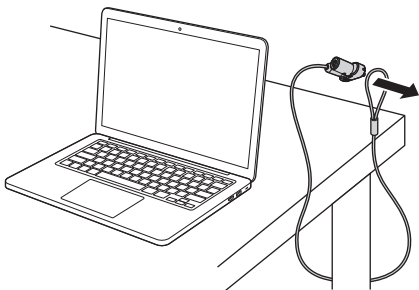


2

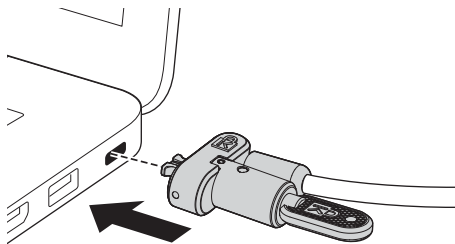




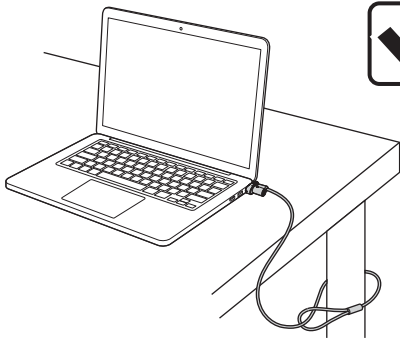
3



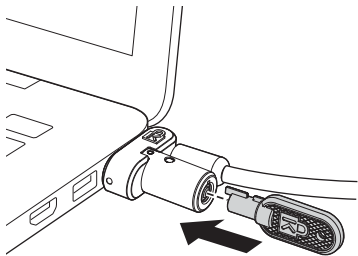
4



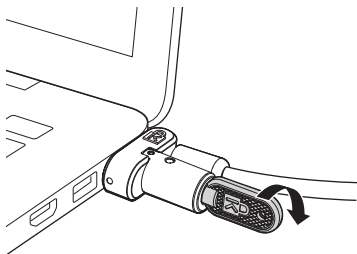
5



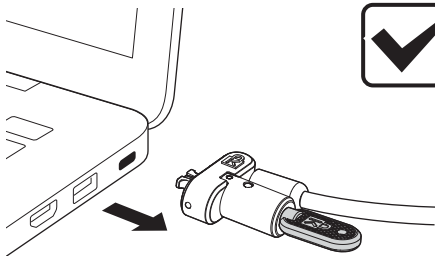
1



2



3



Kensington and the ACCO name and design are registered trademarks of ACCO Brands All other registered and unregistered trademarks are the property of their respective owners. Covered by one or more of US Pat. No's 6,081,974; 6,317,936; 6,360,405.

©2020 Kensington Computer Products Group, a division of ACCO Brands. Any unauthorized copying, duplicating, or other reproduction of the contents hereof is prohibited without written consent from Kensington Computer Products Group. All rights reserved. 06/21



**Kensington Computer Products Group**  
A Division of ACCO Brands  
1500 Fashion Island Blvd, 3rd Floor  
San Mateo, CA 94404, USA

**Importer:**

LEITZ ACCO Brands GmbH & Co KG  
Siemensstraße 64  
70469 Stuttgart  
Germany

**ACCO Brands Canada Inc**

7381 Bramalea Rd  
Mississauga, ON L5S 1C4  
<https://accobrandscanada.com/>

**ACCO Brands Australia - Kensington**

2 Coronation Avenue  
Kings Park NSW 2148  
Australia

**ACCO Brands Chile S.A.,**

Avda. Presidente Riesco # 5711,  
oficina 201  
Las Condes, Santiago, Chile  
CP 7561114  
[www.accobrands.cl](http://www.accobrands.cl)

**Importado e Distribuído por:**

Tilibra Produtos De Papelaria Ltda.  
CNPJ: 44.990.901/0001-43  
Rua Aymorés, 6-9 – Bauru/SP – Brasil  
CEP 17013-900  
[sac@tilibra.com.br](mailto:sac@tilibra.com.br)

**Dystrybutor:**

Esselte Polska Sp. z o.o., ul.  
Przemysłowa 11A, 26-900  
Kozienice

**Forgalmazza:**

Esselte Kft, Váci út 76. V. torony  
I. emelet,  
1133 Budapest,  
Magyarország

**Distributor:**

Esselte Sales SRL,  
Gheorghe Tîrțeica 121C,  
Sector 2, București,  
România

**Distribútor:**

Esselte, s.r.o., V Lužich 818,  
142 00 Praha 4,  
Česká republika

**Импортер:**

ООО «Эссельте», Россия,  
125040, Москва, 3-я улица  
Ямского поля, д.18, тел.  
+7(495)933-27-63

**ДИСТРИБЬЮТОР:**

Esselte Polska Sp. z o.o., ul.  
Przemysłowa 11A, 26-900  
Kozienice  
Импорртаушы: "АБДИ Компани" АҚ,  
Алматы қ., Сейфуллин даңғ. 465/191

**Дистрибутор:**

Esselte Polska Sp. z o.o., вулиця  
Пшемислова, 11А, 26-900 Козеніц

**广州市爱珂贸易有限公司**

广州市天河区林和西路159号  
中泰国际北塔5楼, 501/701室  
邮编: 510620  
电话: 400 600 4599  
网址: <https://www.kensington.com/zh-CN>  
邮箱: [infocn@kensington.com](mailto:infocn@kensington.com)

**アコブランドズ・ジャパン株式会社**

〒164-8721  
東京都中野区本町1-32-2  
ハーモニータワー14F  
<https://www.kensington.com/ja-JP>  
E-MAIL: [JPKensington@acco.com](mailto:JPKensington@acco.com)

**Importer:**

ACCO UK Ltd.  
Oxford House, Oxford Road  
Aylesbury, Buckinghamshire, HP21 8S2  
United Kingdom