

Technical Support / Assistance technique / Technischer Support /  
Technische ondersteuning / Supporto tecnico / Asistencia técnica /  
Műszaki támogatás / Technická podpora / Pomoc techniczna /  
Техническая поддержка / Assistência técnica

|                   |                |                    |                  |
|-------------------|----------------|--------------------|------------------|
| Australia         | 1300 881 931   | Nederland          | 010 713 1882     |
| Belgie / Belgique | 02 401 2395    | New Zealand        | 0800 539 26273   |
| Brasil            | 14 3235-4003   | Norway             | 80017520         |
| Canada            | 1 800 268 3447 | Osterreich         | 0800 677 873     |
| Denmark           | 80 250966      | Polska             | 22 570 18 00     |
| Deutschland       | 0692 222 3654  | Portugal           | 800855802        |
| España            | 911 146 735    | Russia             | 007 495 933 5163 |
| Finland           | 0800 9 15697   | Schweiz / Suisse   | 044 580 6667     |
| France            | 01 7671 0404   | Sweden             | 08 5033 6577     |
| Hungary           | 06 20 9430 612 | United Kingdom     | 0203 364 5390    |
| Ireland           | 01 431 1395    | United States      | 1 800 535 4242   |
| Italia            | 02 3604 7030   | International Toll | +31 53 484 9135  |
| México            | 55 15 00 57 00 |                    |                  |

**Kensington Computer Products Group**  
A Division of ACCO Brands  
333 Twin Dolphin Drive, 6th Floor  
Redwood Shores, CA 94065

**ACCO Brands Europe**  
A Division of ACCO Brands Europe  
Oxford House, Oxford Road  
Aylesbury, Buckinghamshire,  
HP21 8SE  
United Kingdom

**ACCO Brands Chile S.A.**  
Avda. San Josémaría  
Esquina de Balaguer N°5773  
Vitacura, C.P. 7640870  
Santiago, Chile

**ACCO Brands Canada Inc**  
7381 Bramalea Rd  
Mississauga,  
ON L5S 1C4

**ACCO Australia**  
Level 2, 8 Lord St  
Botany NSW 2019  
Australia

**Importado por ACCO Mexicana**  
S.A. de C.V.  
Circuito de la Industria Norte # 6,  
Corredor Industrial Tolteca Lerma,  
Lerma México C.p. 52004  
R.F.C. AME640229-1W3

**Importado e Distribuído por:**  
TUBISA PRODUTOS DE PAPELARIA LTDA.  
CNPJ: 44.990.903/0001-43  
Rua Aimorés, 6-9 – Bauro/SP – Brasil  
CEP 17013-900  
www.kensington.com.br

Made in China      www.kensington.com

Kensington and ACCO are registered trademarks of ACCO Brands. The Kensington Promise is a service mark of ACCO Brands. SafeGrip is a trademark of ACCO Brands. iPad Air is a trademark of Apple Inc., registered in the U.S. and other countries. All other registered and unregistered trademarks are the property of their respective owners. Patents pending.  
© 2014 Kensington Computer Products Group, a division of ACCO Brands. Any unauthorized copying, duplicating, or other reproduction of the contents hereof is prohibited without written consent from Kensington Computer Products Group. All rights reserved. 12/14

K97363  
901-3034-02

**Kensington®**

**SafeGrip™**

Rugged Case & Stand for iPad Air™ and iPad Air™ 2

QUICK START GUIDE

GUIDE DE DEMARRAGE RAPIDE

KURZANLEITUNG

SNELSTARTGIDS

GUIDA RAPIDA

GUÍA RÁPIDA

GYORSKALAUZ

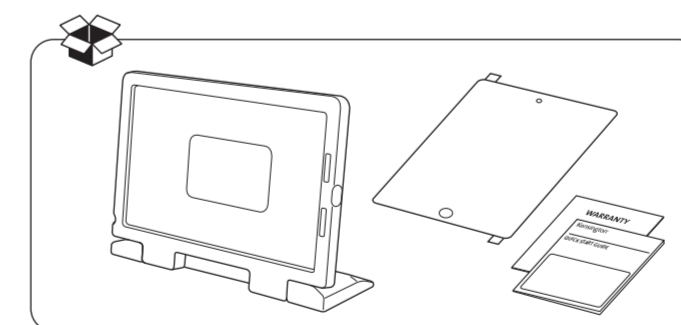
PRÍRUČKA ZACÍNÁME

SZYBKI START

KРАТКОЕ РУКОВОДСТВО

ПОЛЬЗОВАТЕЛЯ

MANUAL DE INÍCIO RÁPIDO



Register Now!  
Enregistrer maintenant!  
Jetzt registrieren!  
Nu registreren  
Registrar ahora  
Registra adesso

Regisztráljon most!  
Zaregistrujte se nyní!  
Zarejestruj się!  
Зарегіструйтесь!  
Regístrate agora!

[register.kensington.com](http://register.kensington.com)