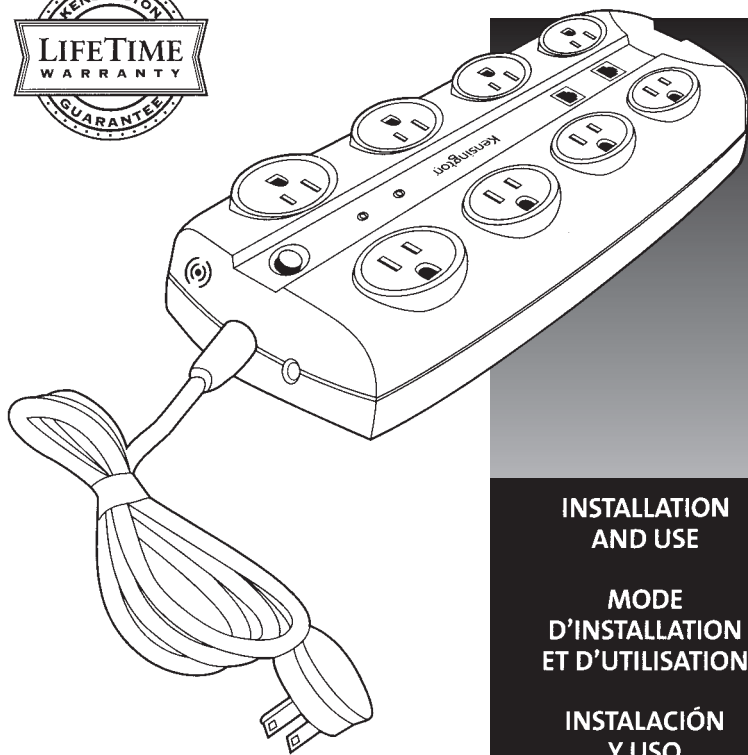


Kensington®

SmartSockets®

Surge Protector for Computers, Workstations, and Appliances
Parasurtenseurs pour ordinateurs, postes de travail et appareils
Supresores de sobrecargas para computadoras, estaciones de
trabajo y aparatos eléctricos



**INSTALLATION
AND USE**

**MODE
D'INSTALLATION
ET D'UTILISATION**

**INSTALACIÓN
Y USO**



Kensington Computer Products Group
A Division of ACCO Brands
333 Twin Dolphin Drive 6th Floor
Redwood Shores, CA 94065
USA

ACCO Brands Canada Inc
7381 Bramalea Rd
Mississauga, ON L5S 1C4

Acco Brands Chile S.A.,
Avda. San Josemaría
Escriva de Balaguer N°5773
Vitacura, C.P. 7640870
Santiago, Chile

ACCO Australia
Level 2, 8 Lord St
Botany NSW 2019
Australia

Kensington Computer Products Group
A Division of ACCO Brands Europe
Oxford House, Oxford Road
Aylesbury, Buckinghamshire, HP21 8S2
United Kingdom

Importado por ACCO Mexicana S.A. de C.V.
Circuito de la Industria Norte # 6,
Corredor Industrial Toluca Lerma,
Lerma México Cp. 52004
R.F.C. AME640229-1W3

Importado e Distribuído por:
TILIBRA PRODUTOS DE PAPELARIA LTDA.
CNPJ: 44.990.901/0001-43
Rua Aimorés, 6-9 – Bauru/SP – Brasil
CEP 17013-900
www.kensington.com.br



This manual is copyright © 2014 Kensington Computer Products Group, a division of ACCO Brands, Inc. Any unauthorized copying, duplicating, or other reproduction of the contents hereof is prohibited without written consent from Kensington Computer Products Group. All rights reserved. 05/14

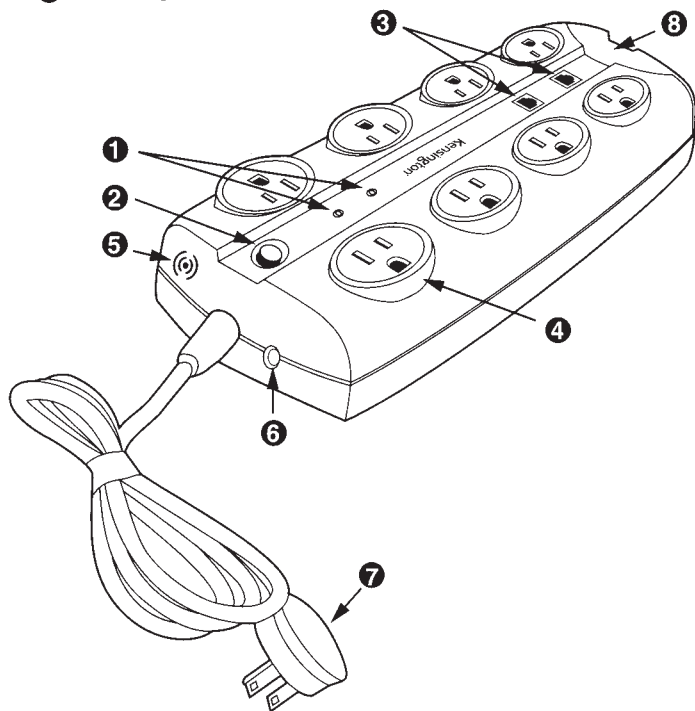
Kensington is a registered trademark of ACCO Brands. Registration of the Kensington trademark is pending in several international locations. Microsoft and Windows are registered trademarks of Microsoft, Corporation. All other registered and unregistered trademarks are the sole property of their respective owners.

Ce manuel est sous copyright © 2014 Kensington Computer Products Group, une division d'ACCO Brands, Inc. Toute copie, duplication ou autre reproduction non autorisée de ce contenu est interdite sans l'autorisation par écrit de Kensington Computer Products Group. Tous droits réservés. 05/14

Kensington est une marque déposée de ACCO World Corporation. Microsoft et Windows sont des marques déposées de Microsoft, Inc. Toutes les autres marques, déposées ou non, sont la propriété de leurs détenteurs respectifs.

SmartSockets Installation Instructions

- 1 Warning Lights
- 2 Recessed Power Switch
- 3 Telephone/Modem/Fax Protection
- 4 Colored Rings for Easy Cord Identification
- 5 Audible Alarm (Models #62690, #62691)
- 6 Circuit Breaker
- 7 Right-Angle Plug
- 8 Cord Management



Thank You

Thank you for choosing Kensington's SmartSockets Surge Protector. Power surges and lightning strikes can be very harmful and damaging to your home and work electronic equipment. Kensington SmartSockets surge protector is the solution for computers, professional workstations, laser printers, scanners, phone, modem, fax, home appliances, and more. In addition, the unique color-coded rings and matching cord labels allow for easy cord management and identification.

Complete Protection

When you plug your equipment into SmartSockets, you can be sure its advanced multi-stage surge suppression circuitry is working to protect your equipment from dangerous surges, spikes, and EMI/RFI line noise. Its tough features, such as MOVs (metal oxide varistors), quickly reach in the event of a surge to absorb the excess energy that might damage your system and data.

1 Warning Light

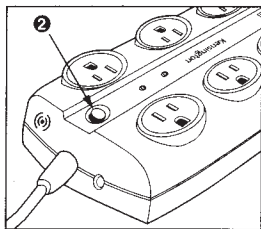
Special warning LEDs let you know whether or not your equipment is protected:

- **GREEN Line Fault Indicator:** When the GREEN line fault indicator comes ON, the wiring in the wall outlet is correct. If this indicator is OFF, there is an issue with the wiring (usually grounding or polarity). You should have a qualified electrician check the wall wiring to resolve the problem.
- **GREEN Surge Protection Indicator:** Similarly, if the GREEN protection indicator is ON, the surge protection is still in effect and protecting your equipment. If this indicator turns OFF, the surge protection feature is worn out and the unit should be replaced. The unit may still conduct electricity even after the surge protection wears out.
- All SmartSockets surge protectors require that you have a properly grounded outlet for the protection to work.

2 Recessed Power Switch

With SmartSockets, you control your entire system with one switch. Unlike other designs that allow you to inadvertently turn off your computer (and lose data) by knocking or brushing an exposed switch, the SmartSockets switch is recessed for protection. It's easily accessible, yet resists accidents.

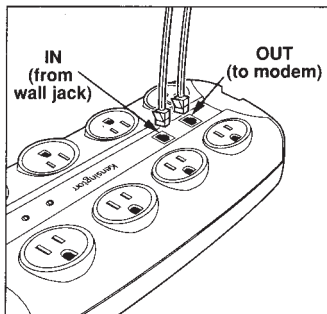
1. Plug your SmartSockets into a 120 Volt, 3-wire, and grounded outlet. This surge protector is for use in the U.S. and Canada, and other countries with U.S. style plugs and 120 Volt, 60Hz electrical power.
2. Plug all your components into SmartSockets.
3. Turn all components ON, then turn SmartSockets' master switch ON.



4. To turn off equipment, simply switch off the SmartSockets master switch. You will shut down your entire system, so you'll never accidentally leave a peripheral running all night or weekend.

3 Telephone/Modem/Fax Protection

SmartSockets has one set of two modular phone jacks to provide telephone surge protection. Now, instead of running a connection directly from your modem or fax machine to the wall jack, you will pass the connection through SmartSockets for continuous protection. The SmartSockets circuitry is designed to work only if the correct IN and OUT jacks are used, so be sure to follow the steps below carefully (the protection circuits are not bi-directional).

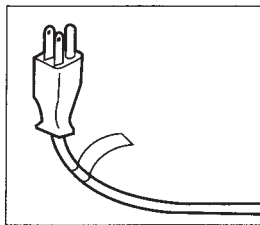


1. Connect one end of your existing phone cable to the phone jack on your modem or fax machine. Connect the other end to the SmartSockets jack labeled OUT.
2. Now connect one end of the phone cable (provided) to the SmartSockets jack labeled IN, and plug the other end into the wall jack.

4 Color-coded Rings for Easy Cord Management and Identification

Organize and identify your computer equipment cords using Kensington's unique colored labels with your SmartSockets surge protector. Just wrap a label around each end of the cord, then plug into the corresponding colored outlet.

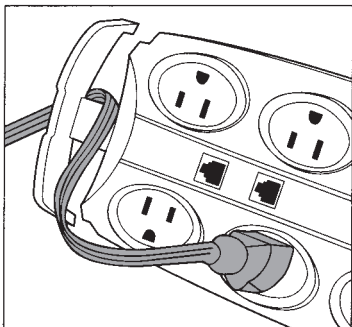
Don't worry about the accidental data loss due to unplugging and moving the wrong equipment. Simply look behind the particular component, verify its label color, and unplug that cord from SmartSockets.



"Flag" Wrapped Adhesive Label

For Adapter Models Only

Many peripherals—such as printers or answering machines—come with wide electronic transformers at the plug end of the cord. You will note SmartSockets' unique design allows plenty of space between outlets. You can easily plug in adjacent transformers without losing a socket to “overlap”.



5 Audible Alarm for Adapter Models #62690, #62691

When your SmartSockets has reached the end of its life and surge protection is no longer present, an audible alarm will sound. Disconnect the protector and have it replaced.

6 Circuit Breaker*

In the unlikely event that you plug in equipment requiring more power than the SmartSockets is designed to handle, you may trip the circuit breaker. If this happens the RESET button will pop out.

To remedy the situation you must first reduce the current load: unplug the least important item connected to your SmartSockets.

Then reset the breaker by pushing down the button until it locks.

** Your SmartSockets surge protector is designed to handle equipment with a maximum current of 15 Amps. To determine the combined maximum current demands of your systems, add up the amp rating listed for each component you plug into SmartSockets. The total number should be less than 15 for best results.*

7 Right-angle Plug

The SmartSockets plug is specially designed to lie flat against the wall; the cord goes down rather than straight out from the outlet. This lets you push your desk or other furniture right up against the surface to save space. If using a vertical outlet, you will want to plug SmartSockets into the bottom of the two sockets to avoid blocking access to the other socket.

Mounting Options

The SmartSockets comes with built-in eyelets on the back so you can mount it on a wall or underneath a shelf. You will need two #8 self-tapping screws (available at a hardware store) to complete the installation.

The Kensington SmartSockets units are both UL and cUL approved.



What UL Listing Means

Underwriters Laboratories (UL) is a non-profit organization whose main concern is public safety. Products are tested against stringent UL standards. A manufacturer can use the UL name on a product if and only if it has passed the required tests. When comparing surge protectors, look for units that comply with UL safety standards.

All SmartSockets surge protectors are UL 1363, UL 1449 and UL 1203 listed.

A good surge protector will pass all of the applicable requirements of the following UL standards for guaranteed safety:

UL 1363: A UL standard for temporary power taps, covering surge protectors like SmartSockets units. The UL 1363 standard includes the requirements of UL 1449 and UL 1283, and 497A (for units with telephone line surge protection).

UL 1449: UL's rating for surge protectors. A 6,000 Volt impulse wave is generated between each of the surge protector's terminals: hot-neutral, hot-ground, and neutral-ground, after which the protected voltage is measured. The unit must also withstand any physical damage or breakdown.

UL 1283: ULs standard for EMI—Electromagnetic Interference Filtering.

Kensington Satisfaction Guarantee

Carefully designed components and expert workmanship are an integral part of every product we sell. This reflects our confidence in always offering Guaranteed Quality to assure complete customer satisfaction.

This product features a No-Risk 90-Day trial. If for any reason you are not completely satisfied with this product, call Kensington. We will do our best to resolve the problem or we will cheerfully refund your money.

Please keep a copy of your dated sales receipt as proof of purchase.

Following information is only for EU-member states:

The use of the symbol indicates that this product may not be treated as household waste. By ensuring this product is disposed of correctly, you will help prevent potential negative consequences for the environment and human health, which could otherwise be caused by inappropriate waste handling of this product. For more detailed information about recycling of this product, please contact your local city office, your household waste disposal service or the shop where you purchased the product.

LIMITED LIFETIME WARRANTY TERMS

Limited Surge Suppressor Warranty

Kensington warrants to the original purchaser (“purchaser”) of this surge suppressor, for the useful life* of this surge suppressor, that the surge suppressor shall be free of defects in materials or workmanship, and that Kensington will repair or replace (with a comparable replacement that meets or exceeds the specification of this surge suppressor), at its option, any defective Kensington surge suppressor. Kensington reserves the right, before having any obligation under this limited warranty, to inspect the damaged Kensington surge suppressor, and all costs of shipping the Kensington surge suppressor to Kensington for inspection shall be borne solely by the purchaser. In order to recover under this limited warranty, Purchaser must make claim to Kensington within 60 days of occurrence, and must present acceptable proof of original ownership (such as original receipt, warranty card registration, online registration, or other documentation Kensington deems acceptable) for the surge suppressor.

Limited Connected Computer Equipment Warranty

For the models of surge suppressors listed below, Kensington warrants to the original purchaser (“purchaser”) of the surge suppressor, for the useful life* of the surge suppressor, that Kensington will repair or pay to replace (with a comparable replacement that meets or exceeds the specifications of the damaged computer equipment, at its option, any computer equipment which is damaged by a transient voltage surge (not including a surge caused by a lightning strike) (an “Occurrence”), while properly connected through the Kensington surge suppressor to a properly wired AC power line with protective ground. Kensington will pay to repair or replace the damaged connected computer equipment, at Kensington’s option, an amount equal to the fair market value of the damaged computer equipment at the time of the Occurrence, up to the maximum amount listed below (“Warranty Limit”) for the specified surge suppressor model:

Warranty Limits:

Name	Model No.	Maximum
SmartSockets—Surge Protector Adapter	62688	\$25,000
SmartSockets—Surge Protector Adapter	62690	\$35,000
SmartSockets—Surge Protector Adapter	62691	\$50,000

Kensington shall determine the fair market value of the damaged connected computer equipment based upon the used computer equipment value as determined by the Boston Computer Exchange’s then-current price list, or as determined by the fair market value listed in the most recent edition of Orion Blue Book, or an equivalent to the Boston Computer Exchange or Orion Blue Book.

“Computer equipment,” as used herein, means a device designed primarily for the processing or storage of digital data, such as computers, monitors, printers, disc drives, and telefax machines. By way of illustration and not by limitation, “computer equipment” does not include televisions (digital or analog), copiers, refrigerators, air conditioners or household appliances. Kensington retains the sole discretion to decide whether a particular product is or is not “computer equipment” within the terms of this warranty.

Kensington reserves the right, before having any obligation under this warranty, to inspect the damaged Kensington surge suppressor, the damaged connected computer equipment, and the site where the damage occurred. All costs of shipping the surge suppressor and the damaged connected computer equipment to Kensington for inspection shall be borne solely by the purchaser. Kensington reserves the right to negotiate the cost of repairs with any shops that it may choose to make repairs. If Kensington determines, in its sole discretion, that it is impractical to ship the damaged computer equipment to Kensington, Kensington may designate, in its sole discretion, a computer equipment repair facility to inspect and estimate the cost to repair such computer equipment. The cost, if any, of shipping the computer equipment to and from such repair facility, or having the repair facility travel to inspect the computer equipment and of such estimate shall be borne solely by the purchaser. Purchaser must keep damaged computer equipment available for inspection until the claim is finalized. In order to recover under this warranty, Purchaser must make claim to Kensington within 60 days of occurrence, and must present acceptable proof of original ownership (such as original receipt, warranty card registration, online registration, or other documentation Kensington deems acceptable) for the surge suppressor and proof of ownership Kensington deems acceptable for any damaged computer equipment.

If Kensington is paying the purchaser the fair market value of the damaged computer equipment, purchaser agrees to deliver, and convey all rights of possession, title and interest in, the damaged connected computer equipment to Kensington, at purchaser's sole expense.

** All surge suppressors have a limited useful life. Metal oxide varistors (“MOV’s”) inside the suppressor slowly degrade over time as they absorb excess energy from the power source. If the green protection light on your surge suppressor is no longer lit when plugged into an energized power source, then the MOV’s have degraded to the point where the suppressor will no longer conduct electricity or protect any connected equipment from surges. When that occurs, the suppressor has reached the end of its useful life and must be replaced in order to provide surge protection to the connected equipment. (Some models of surge suppressors are also equipped with an auditory signal that the suppressor has reached the end of its useful life.) This is not a defect in material or workmanship, and is not covered under this limited warranty. MOV’s vary in size and durability based upon the specific model of surge suppressor. The joules rating is an indicator of the relative size and durability of the MOV’s. The larger the joules rating, the greater the size and durability of the MOV’s.*

Warranty Exclusions

The above limited warranties do not apply if Kensington determines, in its sole discretion, that the:

1. Purchaser has failed to make his or her claim to Kensington within 60 days of the occurrence;
2. Purchaser fails to produce acceptable proof of original ownership (such as original receipt, warranty card registration, online registration, or other acceptable documentation) for the surge suppressor and acceptable proof of ownership of any damaged connected computer equipment;
3. Claimant is not the original purchaser of the surge suppressor;
4. Purchaser is not the owner of damaged connected computer equipment;
5. Surge suppressor has been improperly installed, including, but not limited to:
 - a) not being plugged directly into the power source, but instead “daisy-chained” together in serial fashion with other power strips, UPS, other surge protectors or extension cords;
 - b) being plugged into a “three-prong” adapter that was not properly grounded;
6. Surge suppressor was repaired improperly, altered, modified or tampered with in any way;
7. Damage to the surge suppressor or connected computer equipment did not result from the occurrence;
8. No occurrence in fact took place;
9. Damage to the surge suppressor or connected computer equipment resulted from:
 - a) normal wear and tear, erosion, or depletion of the surge suppressor;
 - b) immersion or exposure to water;
 - c) lightning, flood, earthquake, or other acts of God;
 - d) low voltage disturbances (i.e. brownouts or sags);
 - e) surges through phone, cable or DSL lines (unless the phone, cable or DSL line was also properly connected to the surge suppressor); or
 - f) war, vandalism, or theft.
10. Connected computer equipment was not used under normal operating conditions or in accordance with any applicable warnings or instructions for proper installation, use and maintenance;
11. Repair or replacement of the connected computer equipment is covered under a another warranty applicable to the equipment; or
12. Repair of, or replacement or payment for, the damaged connected equipment is covered under purchaser's homeowner, commercial, renter or other insurance, except as follows:
 - a) if the applicable insurance has a deductible, then this limited warranty will apply to the amount of the deductible;
 - b) if there is damage covered under this limited warranty that exceeds the policy limits of the applicable insurance, then this limited warranty will apply to the amount of the damages in excess of the insurance policy limits;

- c) In no case will the total liability of Kensington for the insurance policy deductible and for damages in excess of the insurance policy limits exceed the Warranty Limit for this product.

DISCLAIMER OF WARRANTY. THE LIMITED WARRANTY DESCRIBED HEREIN IS YOUR SOLE REMEDY. TO THE EXTENT PERMITTED BY LAW, KENSINGTON DISCLAIMS ALL OTHER IMPLIED OR EXPRESS WARRANTIES INCLUDING ALL WARRANTIES OF MERCHANTABILITY AND/OR FITNESS FOR A PARTICULAR PURPOSE. LIMITATION OF LIABILITY EXCEPT TO THE EXTENT OF REPAIRING OR REPLACING THE SURGE SUPPRESSOR AND REPAIRING OR PAYING THE FAIR MARKET VALUE OF DAMAGED CONNECTED COMPUTER EQUIPMENT AS EXPRESSLY STATED IN THE LIMITED WARRANTY DESCRIBED HEREIN, KENSINGTON SHALL NOT BE LIABLE FOR ANY DAMAGES, WHETHER DIRECT, INDIRECT, INCIDENTAL, SPECIAL, CONSEQUENTIAL, EXEMPLARY, OR OTHERWISE, INCLUDING LOST REVENUES, LOST PROFITS, LOSS OF USE OF SOFTWARE, LOSS OR RECOVERY OF DATA, RENTAL OF REPLACEMENT EQUIPMENT, DOWNTIME, DAMAGE TO PROPERTY OTHER THAN CONNECTED COMPUTER EQUIPMENT, AND THIRD-PARTY CLAIMS, ARISING OUT OF ANY THEORY OF RECOVERY, INCLUDING STATUTORY, CONTRACTOR TORT. NOTWITHSTANDING THE TERM OF ANY LIMITED OR IMPLIED WARRANTY, OR IN THE EVENT THAT ANY LIMITED WARRANTY FAILS OF ITS ESSENTIAL PURPOSE, IN NO EVENT WILL KENSINGTON'S ENTIRE LIABILITY EXCEED THE WARRANTY LIMIT FOR THIS PRODUCT SOME STATES AND PROVINCES DO NOT ALLOW THE EXCLUSION OR LIMITATION OF INCIDENTAL OR CONSEQUENTIAL DAMAGES SO THE ABOVE LIMITATIONS OR EXCLUSIONS MAY NOT APPLY TO YOU. THIS LIMITED WARRANTY GIVES YOU SPECIFIC LEGAL RIGHTS, AND YOU MAY ALSO HAVE OTHER RIGHTS WHICH VARY FROM STATE TO STATE AND PROVINCE TO PROVINCE.

Warranty Claim Procedure

To file a claim under this Limited Lifetime Warranty, you must notify Kensington within 60 days of the occurrence as follows:

1. Contact Kensington Technology Group, 333 Twin Dolphin Drive, Sixth Floor, Redwood Shores, CA 94065, at 800-535-4242. You must have the surge suppressor with you when you call and be prepared to provide the following information:
 - a) The model number of the surge suppressor;
 - b) The method by which you connected the surge suppressor to the power source;
 - c) The computer equipment that was connected to the surge suppressor at the time of the occurrence;
 - d) The computer equipment that was damaged during the occurrence and the extent of the damage;
 - e) The date of the occurrence;
 - f) Where and when you purchased the surge suppressor.
2. The Kensington Representative will then instruct you on how to forward your proof(s) of ownership, suppressor and any connected computer equipment in order to proceed with your claim.

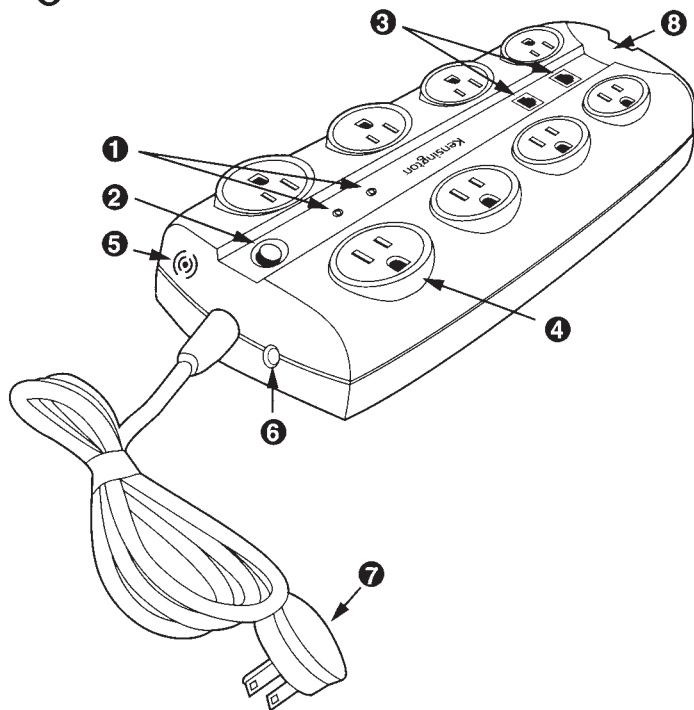
SmartSockets Technical Specifications

	Specification	Definition
Electrical Rating (VAC/AMPS)	120 VAC/15 Amps	Voltage/Amperage at which the unit is designed to operate.
Surge Protector	MOV (Metal Oxide Varistor)	Absorbs excess energy when a power surge occurs.
Energy Rating (Joules)	Model 62688—1890 Joules Model 62690—2490 Joules Model 62691—3090 Joules	The maximum energy that protective circuits can dissipate, the greater the joule rating, the better the protection.
Clamping Voltage (TVSS Rating)	400 Volts	The maximum voltage that passes through the protector. Clamping above 500 Volts can cause computer damage.
3-Line Protection	Clamping on all three lines: Hot, Neutral and Ground	
Typical Response Time	instantaneous < 1 nanosecond	Amount of time unit takes to react to harmful surges. One nanosecond is one billionth of a second.
Telephone Surge Protection (Volts)	Clamps at 465 Volts	Clamps surges coming in on the phone line for total protection.
Safety Compliance (UL Approvals)	UL Approved Listings UL 1449 UL 1363 UL 1283 cUL Approved	UL Standards for: Surge Protection Temporary Power Taps EMI/RFI Filter

SmartSockets exceeds requirements of categories A&B of ANSI/IEEE C62.41-1991 standard.

SmartSockets Mode d'installation

- 1 Témoin lumineux
- 2 Interrupteur poussoir encastré
- 3 Protection pour téléphones/modems/télécopieurs
- 4 Bagues de couleur pour l'identification des fils (certains modèles seulement)
- 5 Alarme sonore (modèles #62690, 62691)
- 6 Disjoncteur
- 7 Prise à angle droit
- 8 Gestion de corde



Français

Merci

Merci d'avoir choisi le parasurtenseur SmartSockets de Kensington. Les surtensions et le foudroiement peuvent être très dangereuses et abîmer votre matériel électronique au travail et à la maison. Le parasurtenseur SmartSockets de Kensington est la solution idéale pour les ordinateurs, postes de travail professionnels, imprimantes laser, scanners, téléphones, modems, télécopieurs, appareils ménagers et plus. En outre, les bagues à code couleur uniques sont assorties aux étiquettes de cordon, permettant ainsi une gestion et une identification faciles des cordons.

Protection Complète

Lorsque vous branchez votre matériel dans le SmartSockets, vous pouvez être sûr que ses circuits à plusieurs étages d'avant-garde fonctionnent pour protéger votre matériel des dangereuses surtensions, des variations brusques et des bruits de circuit EMI/RFI. Ces caractéristiques puissantes, telles que les MOV (movistors), fonctionnent rapidement en cas de surtension pour absorber le surplus d'énergie susceptible d'abîmer votre système et vos données.

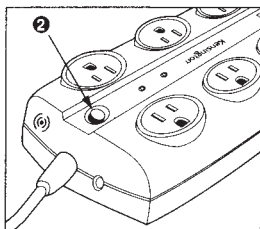
1 Témoin lumineux

Les témoins DEL spéciaux vous permettent de savoir si votre équipement est protégé :

- Indicateur de défaillance en ligne vert : Lorsque l'indicateur de défaillance en ligne vert s'ALLUME, le câblage de la prise murale est correct. Si l'indicateur est ÉTEINT, c'est que le câblage pose problème (il s'agit habituellement de la mise à la masse ou de la polarité). Vous devez demander à un électricien qualifié de vérifier le câblage dans le mur afin de résoudre le problème.
- Indicateur de protection vert : De même, si l'indicateur de protection vert s'ALLUME, le dispositif de protection contre les surtensions est toujours actif et votre équipement est protégé. Si l'indicateur est ÉTEINT, le dispositif de protection contre les surtensions est usé et l'unité doit être remplacée. Il se peut que cette dernière soit toujours conductrice même si le dispositif de protection contre les surtensions est usé.
- Pour que les parasurtenseurs SmartSockets puissent protéger votre équipement, celui-ci doit être relié correctement à la terre.

2 Interrupteur de sécurité encastré

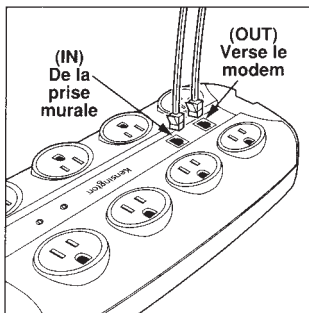
SmartSockets vous permet de contrôler tout votre système d'un seul interrupteur. Contrairement à d'autres modèles dont l'interrupteur peut être heurté par inadvertance et vous faire perdre des données, celui de SmartSockets est encastré. Notre interrupteur, tout en demeurant accessible, vous protège contre les accidents.



1. Branchez SmartSockets dans une prise 120 V à trois broches, avec mise à la terre. Ce limiteur de surtension est conçu pour le Canada, les États-Unis et tous les pays offrant des prises semblables avec un courant de 120 V, 60 Hz.
2. Branchez vos appareils dans le limiteur SmartSockets.
3. Placez tous les interrupteurs de vos appareils en position du marche (ON), puis actionnez l'interrupteur principal de SmartSockets.
4. Pour éteindre tous vos appareils, coupez simplement l'interrupteur principal SmartSockets. Ils seront tous hors tension, vous empêchant ainsi d'oublier d'éteindre l'un d'eux durant la nuit ou le week-end.

3 Protection des téléphones, des télécopieurs et des modems

SmartSockets est doté de deux prises téléphoniques modulaires, protégeant votre ligne contre les surtensions. Au lieu de brancher directement votre modem ou votre télécopieur dans une prise murale, branchez-les plutôt dans le limiteur SmartSockets pour les protéger. Les circuits de SmartSockets ne fonctionnent que si les branchements sont correctement effectués dans les prises d'entrée (IN) et de sortie (OUT). Veuillez suivre les étapes ci-dessous car les circuits protecteurs ne sont pas bidirectionnels.



1. Branchez une extrémité du fil téléphonique existant dans la prise de votre modem ou de votre télécopieur. Branchez l'autre extrémité dans la prise SmartSockets portant l'indication OUT.

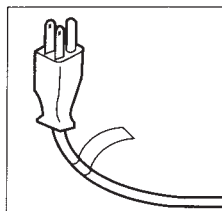
2. Reliez ensuite une extrémité du fil téléphonique inclus dans l'emballage à la prise

SmartSockets portant l'indication IN, puis branchez l'autre extrémité dans la prise murale.

4 Bagues de couleur d'identification des fils (certains modèles seulement)

Organisez les fils de votre ordinateur avec les bagues de couleur offertes avec certains modèles SmartSockets. Fixez une bague de couleur à chaque extrémité du fil, puis branchez-le dans la prise de la couleur correspondante.

Vous pourrez débrancher l'un de vos appareils sans risquer de perdre des données en retirant par erreur le mauvais fil. Vérifiez la couleur du fil derrière l'appareil, puis débranchez-le.

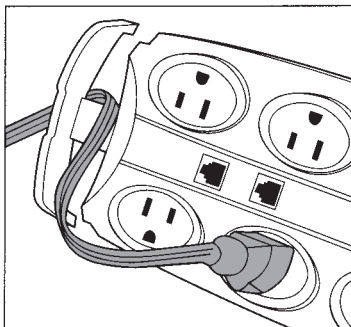


"Fixez" Une bague de couleur

Modèles avec adaptateur seulement

Plusieurs périphériques, tels les répondeurs et les imprimantes, comportent un bloc d'alimentation encombrant pour les prises de courant. SmartSockets offre amplement d'espace entre chaque prise, vous permettant de brancher à la suite plusieurs blocs d'alimentation sans obstruer une prise.

Vous pourrez ainsi facilement débrancher l'un de vos appareils sans risquer de perdre des données en retirant par erreur le mauvais fil. Vérifiez simplement la couleur du fil derrière l'appareil, puis débranchez-le du bloc SmartSockets.



5 Alarme sonore (modèles avec adaptateur # 62690, # 62691)

Si jamais le limiteur SmartSockets est endommagé par une crête de courant et que ses circuits sont abîmés, un signal sonore vous en avertit aussitôt. Débranchez votre limiteur et renvoyez-le à Kensington (voir « Pour effectuer une réclamation » pour plus de détails).

6 Disjoncteur*

Dans le cas peu probable où la consommation de l'équipement branché dépasserait la limite de courant prévue pour SmartSockets, son disjoncteur se déclencherait. Le bouton de réarmage RESET prendra la position sortie.

Pour remédier à la situation, réduisez d'abord la charge de courant en débranchant l'appareil le moins important de la prise SmartSockets.

Enfoncez ensuite le bouton jusqu'à son réenclenchement.

** Votre limiteur de surtension SmartSockets est conçu pour alimenter un équipement ne consommant pas plus de 15 ampères. Pour déterminer la consommation totale de votre système, additionnez le nombre d'ampères de chaque appareil relié à la prise SmartSockets. Ce nombre doit être inférieur à 15 A.*

7 Prises à angle droit

Le bloc SmartSockets est conçu pour s'appuyer à plat contre le mur; les cordons qui y sont branchés descendent directement contre le mur plutôt que d'en sortir en ligne droite. Vous pouvez ainsi appuyer votre bureau ou tout autre meuble contre le mur, économisant de l'espace. Si vous utilisez une prise murale ordinaire (habituellement verticale), branchez SmartSockets dans la prise inférieure. Vous éviterez ainsi d'obstruer l'autre prise.

Montages facultatifs

Le bloc SmartSockets est muni à l'arrière de deux oeillets pour le fixer au mur ou sous une tablette. Utilisez deux vis n° 8 auto-fileteuses (disponibles dans les quincailleries) pour effectuer l'installation.

Les prises SmartSockets de Kensington disposent des homologations UL et cUL.



Homologation UL

Underwriters Laboratories (UL) est un organisme à but non lucratif voué à la sécurité publique. Chaque produit est testé selon les normes rigoureuses de cet organisme. Un manufacturier ne peut apposer le label UL sur un produit que s'il a réussi les tests requis. Si vous comparez plusieurs limiteurs de surtension, recherchez les modèles qui satisfont aux normes de sécurité UL.

Tous les limiteurs de surtension SmartSockets possèdent les homologations UL 1363, UL 1449 et UL 1283.

Un limiteur de surtension de bonne qualité doit satisfaire aux normes de sécurité UL suivantes:

UL 1363: Norme UL pour prises de courant amovibles, visant les limiteurs de surtension du genre SmartSockets. La norme UL 1363 comprend les exigences UL 1449 et UL 1283, ainsi que 497A (pour les dispositifs de protection téléphonique).

UL1449: Classification UL pour les limiteurs de surtension. Chaque paire de bornes du limiteur est soumise à une impulsion de 6000 Volts : borne active/borne neutre, borne active/borne de terre, borne neutre/borne de terre. Le voltage supprimé est mesuré chaque fois. L'appareil doit également résister à tous les tests de bris et de cassure.

UL 1283: Norme UL de filtrage des interférences électromagnétiques (EMI).

Garantie de satisfaction Kensington

Chacun de nos produits est fait de composantes soigneusement conçues et assemblées par une main-d'oeuvre experte. Nous offrons ainsi une Garantie de Qualité assurant une entière satisfaction à nos clients.

Ce produit comporte une période d'essai sans risque de 90 jours. Si vous n'en êtes pas entièrement satisfait, communiquez avec Kensington. Nous mettrons tout en oeuvre pour résoudre votre problème ou nous vous rembourserons votre argent.

Veillez conserver votre preuve d'achat ou votre reçu daté.

Les informations suivantes s'appliquent uniquement dans les pays membres de l'Union Européenne :

Le symbole illustré ci-contre indique que ce produit ne peut pas être traité comme un déchet ménager ordinaire. En disposant de ce produit en respectant les règlements en vigueur, vous participez à la protection de l'environnement et

à la prévention des risques sanitaires liés à l'absence de traitement de produits potentiellement nocifs. Pour plus de détails sur le recyclage de ce produit, veuillez consulter le service municipal compétent, le service de ramassage des ordures ou le revendeur du produit.

CONDITIONS DE GARANTIE LIMITÉE À VIE

Garantie limitée de parasurtenseur

Kensington garantit à l'acheteur original (« l'acheteur ») de ce parasurtenseur, pendant sa durée utile*, que ledit parasurtenseur sera exempt de défaut de matériaux ou de fabrication, et qu'elle réparera ou remplacera (par un équipement de rechange comparable, conforme ou supérieur à la spécification de ce parasurtenseur) à son gré, tout parasurtenseur Kensington défectueux. Kensington se réserve le droit, avant d'encourir toute obligation en vertu de cette garantie limitée, d'inspecter le parasurtenseur Kensington endommagé. Tous les frais d'expédition dudit parasurtenseur à Kensington aux fins d'inspection seront strictement à la charge de l'acheteur. Afin de bénéficier du recouvrement au titre de cette garantie limitée, l'acheteur doit adresser une réclamation à Kensington dans les 60 jours de la survenance et il doit présenter une preuve acceptable de propriété originale (par exemple : reçu original, enregistrement de bon de garantie, enregistrement en ligne ou autre document jugé acceptable par Kensington) du parasurtenseur.

Garantie limitée du matériel informatique branché

Pour les modèles de parasurtenseur indiqués ci-dessous, Kensington garantit à l'acheteur original (« l'acheteur ») du parasurtenseur, pendant sa durée utile*, qu'elle réparera ou paiera pour remplacer (par un équipement de rechange comparable, conforme ou supérieur à la spécification du matériel informatique endommagé), à son gré, tout matériel informatique endommagé par une surtension transitoire (autre qu'une surtension causée par la foudre) (une « survenance ») alors qu'il était convenablement branché, par l'intermédiaire du parasurtenseur Kensington, à une ligne électrique CA convenablement câblée et mise à la terre. Kensington se chargera de réparer ou de payer pour remplacer, à son gré, le matériel informatique branché endommagé, d'un montant égal à la juste valeur marchande dudit matériel informatique endommagé, au moment de la survenance, jusqu'à concurrence du montant maximum indiqué ci-dessous (« limites de la garantie ») pour le modèle de parasurtenseur spécifié :

Limites de la garantie:

	N° de modèle	Maximum
SmartSockets — Limiteur de Surtension	62689	25,000 \$
SmartSockets — Limiteur de Surtension	62690	35,000 \$
SmartSockets — Limiteur de Surtension	62691	50,000 \$

Kensington déterminera la juste valeur marchande du matériel informatique branché endommagé compte tenu de la valeur d'occasion dudit matériel, comme indiqué par le tarif alors en vigueur du Boston Computer Exchange ou par la juste valeur marchande indiquée

dans l'édition la plus récente de l'Orion Blue Book ou un équivalent du Boston Computer Exchange ou de l'Orion Blue Book.

Dans les présentes, par « matériel informatique », on entend un dispositif conçu essentiellement pour le traitement ou le stockage des données, par exemple ordinateurs, moniteurs, imprimantes, unités de disque et télécopieurs. A titre d'exemple et entre autres choses, « le matériel informatique » ne comprend pas téléviseurs (numériques ou analogiques), copieurs, réfrigérateurs, climatiseurs ou appareils ménagers. Kensington conserve toute latitude de décider si un produit particulier est ou n'est pas un « matériel informatique » dans le cadre de cette garantie.

Kensington se réserve le droit, avant d'encourir toute obligation en vertu de cette garantie, d'inspecter le parasurtenseur Kensington endommagé, le matériel informatique branché endommagé, et le lieu où le dommage est survenu. Tous les frais d'expédition du parasurtenseur et du matériel informatique branché endommagé à Kensington aux fins d'inspection sont strictement à la charge de l'acheteur. Kensington se réserve le droit de négocier les frais de réparation avec tout atelier qu'elle peut choisir pour effectuer lesdites réparations. Si Kensington détermine, à sa seule discrétion, qu'il n'est pas pratique d'expédier le matériel informatique endommagé à Kensington, celle-ci peut nommer, à sa seule discrétion, une installation de réparation de matériel informatique afin d'inspecter ledit matériel informatique et d'évaluer le coût des réparations. Lu cas échéant, les frais d'expédition aller-retour du matériel informatique à ladite installation de réparation ou pour faire déplacer le personnel de cette installation afin d'inspecter le matériel informatique et d'établir un devis sont strictement à la charge de l'acheteur. L'acheteur doit garder le matériel informatique endommagé aux fins d'inspection jusqu'à ce que la réclamation soit définitive. Afin de bénéficier du recouvrement au titre de cette garantie, l'acheteur doit adresser sa réclamation à Kensington dans les 60 jours de la survenance et il doit présenter une preuve acceptable de propriété originale (par exemple reçu original, enregistrement de bon de garantie, enregistrement en ligne ou autre document jugé acceptable par Kensington) du parasurtenseur et une preuve de propriété jugée acceptable par Kensington pour tout matériel informatique endommagé.

Si Kensington paie à l'acheteur la juste valeur marchande du matériel informatique endommagé, ledit acheteur accepte de remettre et de céder tous les droits de possession, son titre et son intérêt concernant le matériel informatique branché endommagé à Kensington, aux seuls frais de l'acheteur.

** Tous les parasurtenseurs ont une durée utile limitée. Dans le parasurtenseur, les varistors métal-oxyde (« MDV ») se détériorent à la longue à mesure qu'ils absorbent l'excès d'énergie de la source d'alimentation. Si le témoin de protection vert du parasurtenseur ne s'allume plus quand vous branchez le parasurtenseur dans une source d'alimentation sous tension, les MDV se sont alors détériorés à un point tel que le parasurtenseur ne conduit plus l'électricité, pas plus qu'il ne protège le matériel branché des surtensions. A ce point, le parasurtenseur a atteint la fin de sa durée utile et doit être remplacé de façon à protéger l'équipement branché contre les surtensions. (Certains modèles de parasurtenseur sont aussi équipés d'un signal sonore quand le parasurtenseur a atteint la fin de sa durée utile.) Il n'y a pas là défaut de matériaux ou de fabrication et donc pas*

de couverture au titre de cette garantie limitée.

Les MDV ont des tailles et des durabilités qui varient selon le modèle particulier du parasurtenseur. La cote en joules indique la taille et la durabilité relative des MDV. La taille et la durabilité des MDV sont d'autant plus grandes que la cote en joules est élevée.

Exclusions de la garantie

Les garanties limitées susmentionnées ne s'appliquent pas si Kensington détermine, à sa seule discrétion, que :

1. L'acheteur a négligé d'adresser sa réclamation à Kensington dans les 60 jours de la survenance;
2. L'acheteur néglige de présenter une preuve acceptable de propriété originale (par exemple : reçu original, enregistrement de bon de garantie, enregistrement en ligne ou autre document acceptable) du parasurtenseur et une preuve acceptable de propriété de tout matériel informatique branché endommagé;
3. Le requérant n'est pas l'acheteur original du parasurtenseur;
4. L'acheteur n'est pas le propriétaire du matériel informatique branché endommagé;
5. Le parasurtenseur a été incorrectement installé, entre autres choses :
 - a) Il n'a pas été branché directement dans la source d'alimentation, mais plutôt connecté « en guirlande », en série avec d'autres bandes d'alimentation, des alimentations non interruptibles, d'autres parasurtenseurs ou rallonges;
 - b) Il a été branché dans un adaptateur triphasé qui n'était pas convenablement mis à la terre;
6. Le limiteur de surtension a été incorrectement réparé, changé, modifié ou trafiqué, de quelque façon que ce soit;
7. Les dommages au parasurtenseur ou au matériel informatique branché ne résultent pas de la survenance;
8. La survenance n'a en fait pas eu lieu;
9. Les dommages au parasurtenseur ou au matériel informatique branché découlent de :
 - a) L'usure normale, l'érosion ou la détérioration du parasurtenseur;
 - b) L'immersion dans l'eau ou l'exposition à l'eau;
 - c) La foudre, une inondation, un tremblement de terre ou autre cas de force majeure;
 - d) Perturbations de basse tension (c'est-à-dire baisse ou fléchissement de tension);
 - e) Surtensions dans les lignes téléphoniques, de câble ou d'accès numérique (excepté si la ligne téléphonique, de câble ou d'accès numérique était aussi convenablement branchée au parasurtenseur); ou
 - f) D'actes de guerre, de vandalisme ou de vol.
10. Le matériel informatique branché n'a pas été employé dans des conditions normales d'utilisation ou conformément aux avertissements ou instructions applicables pour l'installation, l'utilisation et l'entretien appropriés;
11. La réparation ou le remplacement du matériel informatique branché est couverte par une autre garantie qui s'applique à ce matériel; ou
12. La réparation, le remplacement ou le paiement du matériel branché endommagé est couvert par l'assurance immobilière, commerciale, de location ou autre de l'acheteur, sauf dans les cas suivants :
 - a) Si l'assurance applicable comporte une franchise, la présente garantie limitée s'appli-

- quera alors au montant de la franchise;
- b) S'il y a un dommage, couvert par la présente garantie limitée, qui dépasse les limites de la police de l'assurance applicable, la présente garantie limitée s'appliquera alors au montant des dommages qui dépassa les limites de la police d'assurance;
 - c) La responsabilité totale de Kensington pour la franchise de la police d'assurance et pour les dommages au-dessus des limites de cette police d'assurance ne dépassera an aucun cas la limite de garantie de ce produit.

DÉSISTEMENT DE GARANTIE

LA GARANTIE LIMITÉE DÉCRITE DANS LES PRÉSENTES CONSTITUE VOTRE SEUL RECOURS. DANS LA MESURE AUTORISÉE PAR LA LOI, KENSINGTON REJETTE TOUTES LES AUTRES GARANTIES TACITES OU EXPLICITES, Y COMPRIS TOUTES LES GARANTIES DE QUALITÉ MARCHANDE ET IOU) D'APTITUDE À UN USAGE PARTICULIER.

RESTRICTION DE RESPONSABILITÉ

HORMIS LA RÉPARATION OU LE REMPLACEMENT DU PARASURTENSEUR ET LA RÉPARATION OU LE PAIEMENT DE LA JUSTE VALEUR MARCHANDE DU MATÉRIEL INFORMATIQUE BRANCHÉ ENDOMMAGÉ, COMME STIPULÉ EXPRESSÉMENT DANS LA GARANTIE LIMITÉE DÉCRITE DANS LES PRÉSENTES, KENSINGTON REJETTE TOUTE RESPONSABILITÉ POUR LES DOMMAGES DIRECTS, INDIRECTS, FORTUITS, EXTRAORDINAIRES, CONSÉCUTIFS, EXEMPLAIRES OU AUTRES, Y COMPRIS LA PERTE DE REVENUS, LA PERTE DE PROFITS, LE MANGUE D'UTILISATION DU LOGICIEL, LA PERTE OU LA RÉCUPÉRATION DES DONNÉES, LA LOCATION DU MATÉRIEL DE REMPLACEMENT, LE TEMPS D'IMMOBILISATION, LES DOMMAGES IMMOBILIERS AUTRES QU'AU MATÉRIEL INFORMATIQUE BRANCHÉ ET LES RÉCLAMATIONS DE TIERS DÉCOULANT DE TOUTE THÉORIE DE RECouvreMENT, Y COMPRIS CELLE DÉFINIE PAR LA LOI OU UN CONTRAT OU RÉSULTANT D'UN PRÉJUDICE. NONOBSTANT LES CONDITIONS DE TOUTE GARANTIE LIMITÉE OU TACITE OU DANS LE CAS OÙ TOUTE GARANTIE LIMITÉE MANQUE À SON OBJECTIF ESSENTIEL, LA RESPONSABILITÉ ENTIÈRE DE KENSINGTON NE DÉPASSERAIT EN AUCUN CAS LA LIMITE DE GARANTIE DE CE PRODUIT. CERTAINES PROVINCES N'AUTORISENT NI [EXCLUSION NI LA RESTRICTION DES DOMMAGES FORTUITS OU CONSÉCUTIFS; LES EXCLUSIONS OU RESTRICTIONS SUSMENTIONNÉES PEUVENT ALORS NE PAS S'APPLIQUER À VOUS. CETTE GARANTIE LIMITÉE VOUS DONNE DES DROITS LÉGAUX SPÉCIFIQUES; VOUS POUVEZ EN AVOIR D'AUTRES OUI VARIENT SELON LA PROVINCE.

Disposition de réclamation au titre de la garantie

Pour déposer une réclamation en vertu de la présente garantie limitée à vie, vous devez notifier Kensington dans les 60 jours de la survenance, dans les conditions suivantes :

1. Appelez Kensington Technology Group, 333 Twin Dolphin Drive, Sixth Floor, Redwood Shores, (Californie), 94065, au (800) 535-4242. Vous devez avoir le parasurtenseur avec vous quand vous appelez de façon à pouvoir fournir les renseignements suivants :
 - a) Le numéro de modèle du parasurtenseur;
 - b) La méthode utilisée pour brancher le parasurtenseur à la source d'alimentation;
 - c) Le matériel informatique branché au parasurtenseur au moment de la survenance;
 - d) Le matériel informatique qui a été endommagé durant la survenance et l'étendue des dommages;
 - e) La date de la survenance;

- f) La date et le lieu d'achat du parasurtenseur.
2. Le représentant de Kensington vous indiquera ensuite comment envoyer votre (vos) preuve(s) de propriété, le parasurtenseur et tout matériel informatique branché afin de traiter votre réclamation.

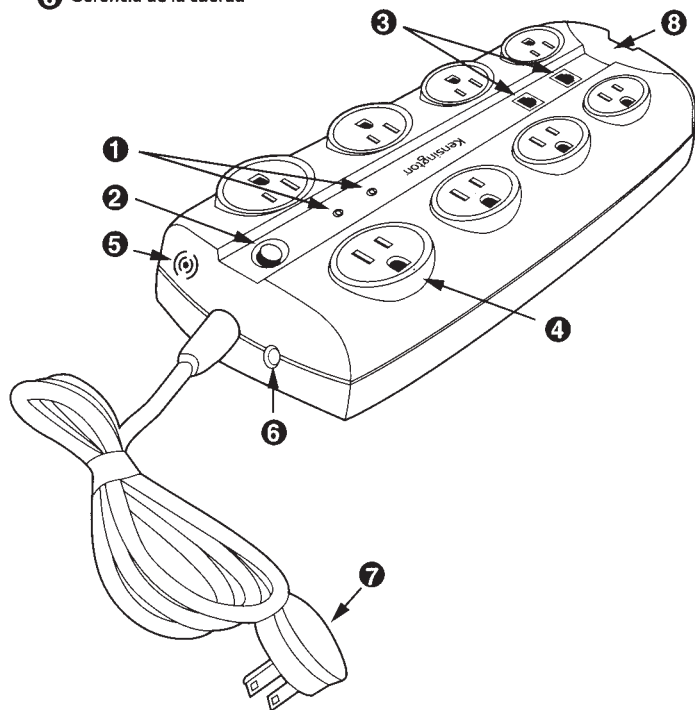
Caractéristiques Techniques SmartSockets

	Specifications	Definitions
Alimentation Électrique (VAC/AMPS)	120 VAC/15 Amps	Nombre de voltampères qui convient à l'appareil.
Limiteur de Surtension	MOV (varistor à oxyde métallique)	Dispositif absorbant le surplus d'électricité lors d'une surtension.
Puissance Nominale (Joules)	Model 62688—1890 Joules Model 62690—2490 Joules Model 62691—3090 Joules	Énergie maximale que les circuits protecteurs peuvent supporter. Plus le nombre de joules est élevé, meilleure est la protection.
Tension de Blocage (valeur tvss)	400 Volts	Voltage maximal traversant le limiteur. Un blocage à plus protector.
Protection des 3 Conducteurs	Blocage des trois conducteurs : borne active, borne neutre et borne de terre.	
Temps de Réponse Time	Instantané < 1 nanoseconde	Temps nécessaire au limiteur pour réagir à une surtension dommageable. Une nanoseconde correspond à un milliardième de seconde.
Limiteur de Surtension Téléphonique (Volts)	Bolacage a 465 Volts	Blocage des surtensions entrantes sur la ligne téléphonique, offrant ainsi une protection totale.
Homologations de Sécurité (UL)	Homologations UL UL 1449 UL 1363 UL 1283 cUL Approved	Normes UL : Prises amovibles à limiteur de surtension et à filtre EMI/RFI

SmartSockets excède les exigences des catégories A et 8 de la norme ANSI/IEEE C62,41-1991.

SmartSockets Instrucciones de Instalación

- 1 Luz de advertencia
- 2 Interruptor oculto
- 3 protección para el teléfono, el modem y el aparato de facsímile
- 4 Anillos en colores para identificar fácilmente los cordones
- 5 Alarma audible (modelos 62690, 62691)
- 6 Cortacircuito
- 7 Enchufe en ángulo recto
- 8 Gerencia de la cuerda



Español

Gracias

Gracias por escoger un protector de corriente SmartSocket de Kensington. Las variaciones súbitas de corriente pueden ocasionar fuertes daños a los aparatos electrónicos. Los protectores de corriente Kensington son representados una solución para computadoras, estaciones de trabajo profesionales, impresoras láser, scanners, teléfonos, módem, fax, aparatos domésticos y más. Además los exclusivos aros de colores de los protectores de corriente Kensington y las etiquetas para cables que se incluyen en el empaque, permiten identificar fácilmente cada cable conectado.

Protección Completa

Cuando se conecta un aparato al SmartSocket, se puede tener la seguridad de que su circuito de supresión contra variaciones esta trabajando para protegerlo de daños ocasionados por las variaciones de corriente, y ruidos en las líneas EMI/RFI. Sus características propias, permiten absorber el exceso de energía que pudiera causar un daño en los equipos o información.

1 Luz de advertencia

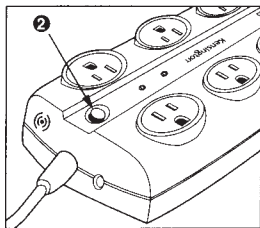
Una sola luz bicolor (verde y roja) le indica si su equipo esta protegido o no.

- Luz roja indicadora: La luz roja se enciende si el tomacorriente que se utiliza esta debidamente conectado a tierra. Si la luz roja esta apagada significa que existe un problema de electricidad en su vivienda. Esta situación no representa peligro inmediato, pero para resolverlo, usted debe comunicar con un electricista autorizado.
- Luz verde de protección: Igualmente, si la luz verde enciende significa que el tomacorriente esta debidamente conectado a tierra y esta protegiendo el equipo. Si la luz esta apagada significa que ha sufrido algún daño y la unidad debe ser reemplazada.
- Todos los SmartSockets supresor de sobrecargas requiere que su vivienda tenga tomacorrientes conectado a tierra para funcionar.

2 Interruptor oculto

Gracias al supresor SmartSockets, usted puede controlar todo el sistema con un solo interruptor. A diferencia de otros diseños que le permiten apagar la computadora (y perder datos) por equivocación cuando se golpea o roza el interruptor protuberante, el interruptor SmartSockets se encuentra oculto para brindarle protección. Se tiene acceso fácilmente al interruptor, pero éste evita accidentes.

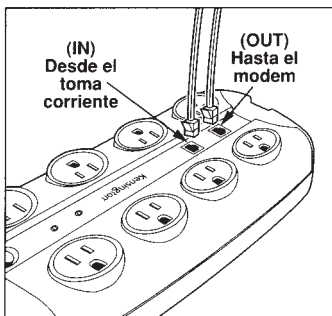
1. Enchufe el supresor SmartSockets en un tomacorriente de 120 Voltios para tres púas conectado a tierra. Dicho supresor es para utilizarse en Estados Unidos, Canadá, y demás países donde se utilicen tornucorriivrites como los de Estados Unidos, y energía eléctrica de 120 Voltios y 60 Hz.



2. Enchufe todos los dispositivos en el supresor SmartSockets.
3. ENCIENDA todos los dispositivos y después ENCIENDA el supresor SmartSockets.
4. Para apagar el equipo, sencillamente apague el interruptor principal del supresor SmartSockets. Se apagará todo el sistema, de modo que usted nunca dejará encendido por equivocación, toda la noche o el fin de semana, ningún dispositivo periférico.

3 Protección para el teléfono, el modem y el aparato de facsímile

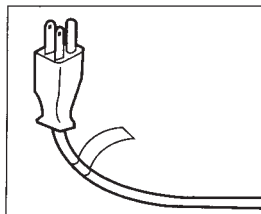
El supresor SmartSockets cuenta con uno de dos enchufes modulares para teléfonos a fin de proteger el teléfono contra sobrecargas. Ahora, en lugar de pasar la conexión directamente desde el modem o el aparato de facsímile hasta el tomacorriente, la pasará por el supresor SmartSockets a fin de proteger continuamente su equipo. El conjunto de circuitos de dicho supresor ha sido diseñado para que funcione únicamente si se utilizan los debidos enchufes de ENTRADA y SALIDA, de modo que asegúrese de seguir detenidamente los pasos que indicamos a continuación (los circuitos de protección no son bidireccionales).



1. Conecte un extremo del cable telefónico al enchufe telefónico del modem o del aparato de facsímile. Conecte el otro extremo al enchufe del supresor, rotulado con la palabra OUT (SALIDA).
2. Ahora, conecte el extremo del cable para el teléfono (provisto) al enchufe del supresor, rotulado con la palabra IN (ENTRADA), y enchufe el otro extremo en el tomacorriente.

4 Anillos en colores para identificar fácilmente los cordones (únicamente modelos selectos)

Organice e identifique los cordones de su equipo informático utilizando las etiquetas de colores que vienen con ciertos modelos de supresores SmartSockets. Sencillamente envuelva una etiqueta alrededor de cada uno de los extremos del cordón, y a continuación enchufe éste en el tomacorriente con el color correspondiente.

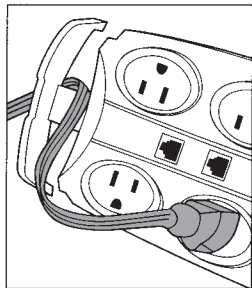


"Identifique" Etiquetas en coloreo

Únicamente para modelos con adaptador

Muchos dispositivos periféricos, como por ejemplo las impresoras o las contestadoras telefónicas, vienen con una variedad de transformadores ubicados en el extremo del enchufe del cordón. Usted notará que el diseño singular de los supresores SmartSockets permite suficiente espacio entre un enchufe y otro. Usted fácilmente puede enchufar transformadores adyacentes sin que ninguno de éstos obstruya un enchufe.

No se preocupe de las pérdidas accidentales de datos ocasionadas cuando se desconecta y mueve el dispositivo equivocado. Sencillamente fíjese en el lado trasero del dispositivo en particular, verifique el color de la etiqueta y desenchufe el cordón.



5 Alarma audible (para los modelos de adaptadores 62690, 62691)

En caso de que una sobrecarga dañe el supresor SmartSockets y se dañe el conjunto de circuitos internos, sonará una alarma. Desconecte el supresor y mándelo a Kensington (consulte la sección titulada “Para presentar un reclamo” para obtener detalles).

6 Cortacircuito*

En el caso poco probable de que usted enchufe un equipo cuyo requerimiento de energía sea superior al que el supresor SmartSockets ha sido diseñado para aceptar, tal vez se desenganche el cortacircuito. Si eso sucede, saltará el botón RESET (REAJUSTE).

Para solucionar dicha situación, primero se debe reducir la carga de la corriente. Desconecte el aparato menos importante que esté conectado al supresor SmartSockets. Después, reajuste el cortacircuito empujando hacia abajo el botón hasta que enganche.

** El supresor de sobrecargas SmartSockets ha sido diseñado para aceptar equipos con una corriente máxima de 15 amperios. Para determinar el requerimiento máximo combinado de su sistema, sume la clasificación de amperaje de cada dispositivo que enchufe en el supresor. Para lograr óptimos resultados, el número total deberá ser menos de 15.*

7 Enchufe en ángulo recto

El supresor de sobrecargas SmartSockets ha sido diseñado especialmente para que se junte totalmente a la pared; el cordón baja en lugar de proyectarse desde el tomacorriente, lo cual le permite a usted empujar su escritorio o cualquier otro mueble totalmente contra la superficie de la pared a fin de ahorrar espacio. Si utiliza un tomacorriente vertical, le recomendamos que enchufe el supresor SmartSockets en el tomacorriente inferior para no obstruir el acceso al tomacorriente superior.

Opciones de montaje

El supresor de sobrecargas SmartSockets viene con ojetes en la superficie trasera para montarlo en la pared o debajo de una repisa. Necesitará dos tornillos número 8 (disponibles en las ferreterías) para hacer la instalación.

Los aparatos SmartSockets de Kensington han sido aprobados por UL y cUL.



Significado de UL

Underwriters Laboratories (UL) es una organización sin ánimo de lucro cuyo interés principal es la seguridad del público. Los productos se someten a pruebas que se ciñen a las normas rigurosas de UL. El fabricante puede utilizar las siglas UL en un producto únicamente si éste ha aprobado las pruebas necesarias. Cuando compare supresores de sobrecarga, busque aparatos que cumplan con las normas de seguridad de UL.

Todos los supresores de sobrecarga SmartSockets cumplen con las normas de seguridad 1363, 1449 y 1283 de UL.

Para garantizar seguridad, un buen supresor de sobrecargas debe cumplir con todos los requerimientos pertinentes de las siguientes normas de UL.

UL 1363: Orma de UL para tomas temporales de corriente a la cual se ciñen los supresores de sobrecargas SmartSockets. Los requerimientos de las normas UL 1449, 1283 y 4914 se ciñen a la norma UL 1363 (para aparatos con protección contra sobrecargas de líneas telefónicas).

UL 1449: Es la clasificación de los supresores de sobrecargas. Un impulso de ondas de 6.000 Voltios se genera entre cada uno de los terminales del supresor de sobrecargas—con corriente-neutro, con corriente-conectado a tierra y neutro-conectado a tierra—después de lo cual se mide el voltaje protegido. El aparato también debe soportar cualquier daño físico o avería.

UL 1283: Norma de UL para filtración de interferencia electromagnética.

La siguiente información va dirigida a usuarios residentes en países miembros de la UE:

El uso de este símbolo indica que este producto no puede tratarse como residuo doméstico. Al deshacerse de este producto de manera correcta, contribuirá a evitar daños en el medio ambiente o riesgos para la salud que podrían producirse al deshacerse inadecuadamente de él. Para obtener una información más detallada sobre el reciclaje de este producto, póngase en contacto con las autoridades municipales, con los servicios de recogida de basuras o con el establecimiento en el que adquirió el producto.

Kensington garantiza la satisfacción del cliente

Los componentes cuidadosamente diseñados y la fabricación experta forman parte integral de cada producto que vendemos, lo cual refleja nuestra confianza en que siempre garantizamos nuestra calidad a fin de obtener la satisfacción total de nuestros clientes.

Este producto viene con una garantía de 90 días, con la cual usted no asume riesgo alguno. Si por algún motivo usted no se encuentra totalmente satisfecho con este producto, llame a Kensington. Haremos todo lo posible por resolver el problema o le reintegraremos su dinero con todo gusto.

Le rogamos que como prueba de adquisición conserve una copia fechada del recibo.

CONDICIONES DE LA GARANTÍA LIMITADA DE POR VIDA

Garantía limitada del protector de sobretensiones

Kensington garantiza al comprador original (“comprador”) de este protector de sobretensiones, durante el periodo de vida útil* del mismo, que el producto estará libre de defectos de material y mano de obra, y que Kensington reparará o reemplazará (con un producto comparable que cumpla o exceda la especificación de este protector de sobretensiones), a su entera discreción, cualquier protector de sobretensiones de Kensington que esté defectuoso. Antes de contraer ninguna obligación de acuerdo con esta garantía limitada, Kensington se reserva el derecho da inspeccionar el protector de sobretensiones de Kensington dañado, y el costo de envío del protector de sobretensiones de Kensington a fin de llevar a cabo dicha inspección correrá por cuenta exclusiva del comprador. Para poder solicitar cobertura de acuerdo con esta garantía limitada, el Comprador debe realizar su reclamación a Kensington en un plazo de 60 días desde el incidente, y presentar una prueba aceptable de ser el propietario original (por ejemplo, un recibo original, registro de la tarjeta de garantía, el registro en línea u otra documentación que Kensington considere aceptable) del protector de sobretensiones.

Garantía limitada para equipos informáticos conectados

Para los modelos de protectores de sobretensiones indicados a continuación, Kensington garantiza al comprador original (“comprador”) del protector de sobretensiones, durante el periodo de vida útil* del mismo, que Kensington reparará o pagará por reemplazar (con un producto de características similares que cumpla o supere las especificaciones del equipo informático dañado), a su entera discreción, cualquier equipo informático que haya resultado dañado por una subida de tensión transitoria (sin incluir una sobretensión causada por un rayo) (un “incidente”), cuando estaba conectado correctamente a través de un protector de sobretensiones Kensington a un cable de alimentación de CA con hilos adecuados y dotado de conexión a tierra de protección. Kensington optará, según su criterio exclusivo, por reparar o abonar el costo de reemplazo del equipo informático conectado que haya resultado dañado, en una cantidad igual al valor justo de mercado del equipo informático dañado en el momento del incidente, hasta la cantidad máxima indicada debajo (“Límite de la garantía”), para el modelo de protector de sobretensiones indicado:

Límites de garantía:

Name	Modelo	Máximo (US Dollars)
SmartSockets—Supresor de Sobrecargas	62688	\$25,000
SmartSockets—Supresor de Sobrecargas	62690	\$35,000
SmartSockets—Supresor de Sobrecargas	62691	\$50,000

Kensington determinará el valor justo de mercado del equipo informático conectado que haya resultado dañado basándose en el valor de un equipo informático usado según se refleje en el precio de lista de Boston Computer Exchange vigente en ese momento, o según el valor justo de mercado especificado en la edición más reciente de Orion Blue Book, o un medio equivalente a Boston Computer Exchange u Orion Blue Book.

El término “Equipo informático”, tal y como se usa en este documento, designa a un dispositivo diseñado principalmente para el procesamiento o almacenamiento de datos

digitales, tales como computadoras, monitores, impresora, unidades de disco y equipos de telefax. A título ilustrativo y no limitativo, "equipo informático" no incluye televisores (digital o analógico), copiadoras, refrigeradores, equipos de aire acondicionado o electrodomésticos. Kensington es el único que puede decidir si un producto en particular es "equipo informático" de acuerdo con los términos de esta garantía.

Antes de contraer ninguna obligación de acuerdo con esta garantía, Kensington se reserva el derecho de inspeccionar el protector de sobretensiones dañado de Kensington, el equipo informático conectado que ha resultado dañado y el lugar donde se produjo el daño. El costo íntegro del envío del protector de sobretensiones y del equipo informático conectado que ha resultado dañado a Kensington para su inspección correrá exclusivamente por cuenta del comprador. Kensington se reserva el derecho de negociar el costo de las reparaciones con cualquier establecimiento que elija para llevar a cabo las reparaciones. Si Kensington determina, según su criterio exclusivo, que no resulta práctico enviar el equipo informático dañado a Kensington, Kensington puede designar, a su entera discreción, un centro de reparación de equipos informáticos para realizar la inspección y estimar el costo de reparación de dicho equipo informático. De realizarse el envío y devolución del equipo informático al centro de reparación, o bien un desplazamiento desde el centro de reparación para inspeccionar el equipo informático y llevar a cabo dicha estimación, el costo correspondiente correrá por cuenta exclusiva del comprador. El comprador debe tener el equipo informático dañado disponible para inspección hasta que se ultime la reclamación. Para poder beneficiarse de esta garantía, el comprador debe presentar su reclamación a Kensington en un plazo de 60 días desde el incidente, y debe presentar una prueba aceptable de ser el comprador original (por ejemplo, el recibo original, registro de la tarjeta de garantía, registro en línea u otra documentación que Kensington considere aceptable) del protector de sobretensiones y una prueba de propiedad que Kensington considere aceptable para el equipo informático dañado.

Si Kensington paga al comprador el valor justo de mercado del equipo informático dañado, el comprador se compromete a entregar y transferir a Kensington todos los derechos de propiedad y titularidad del equipo informático conectado dañado, por cuenta exclusiva del comprador.

** Todos los protectores de sobretensiones tienen una vida útil limitada. Los varistores de óxido de metal ("VOM") instalados en el protector se deterioran con el tiempo, ya que absorben energía excedente de la fuente de alimentación. Si el indicador de protección de color verde del protector de sobretensiones ya no se enciende al conectarlo a una fuente de alimentación activada, significa que los varistores se han deteriorado hasta el punto de que el protector ya no conduce la electricidad ni puede proteger el equipo conectado de las sobretensiones. Cuando esto sucede, significa que el protector ha llegado al fin de su vida útil y debe ser reemplazado para proporcionar protección contra sobretensiones al equipo conectado. (Algunos modelos de protectores de sobretensiones están también equipados con una alarma acústica que indica que el protector ha alcanzado el fin de su vida útil.) Esta condición no es un defecto de fabricación o mano de obra, y no está cubierta por esta garantía limitada. Los VOM tienen diferentes tamaños y varían en durabilidad en función del modelo específico de protector de sobretensiones. El valor nominal en julios es un indicador del tamaño y durabilidad relativos de los varistores. Cuanto mayor es el valor nominal en julios, mayor será el tamaño y durabilidad de los varistores.*

Exclusiones de la garantía

Las anteriores garantías limitadas no se aplican si Kensington determina, según su criterio exclusivo, que:

1. El comprador no ha efectuado su reclamación a Kensington en un plazo de 60 días del incidente;
2. El comprador no presenta una prueba aceptable de ser el comprador original (por ejemplo, el recibo original, el registro de la tarjeta de garantía, registro en línea u otra documentación aceptable) del protector de sobretensiones y una prueba aceptable de propiedad de cualquier equipo informático conectado que haya resultado dañado;
3. El reclamante no es el comprador original del protector de sobretensiones;
4. El comprador no es el propietario del equipo informático conectado que ha resultado dañado;
5. El protector de sobretensiones no ha sido instalado correctamente, incluyendo, sin limitaciones, las siguientes condiciones:
 - a) No está conectado directamente a la fuente de alimentación, sino que se ha acoplado en serie con otra regleta de conexiones, fuente de alimentación ininterrumpida (UPS) u otros protectores de sobretensiones o cables de extensión;
 - b) Está conectado a un adaptador de "tres clavijas" que no está dotado de una conexión a tierra adecuada;
6. El protector de sobretensiones fue reparado incorrectamente, modificado, alterado o manipulado de alguna forma;
7. El daño causado al protector de sobretensiones o al equipo informático conectado no fue provocado por el incidente;
8. El acontecimiento de hecho no se produjo;
9. El daño al protector de sobretensiones o al equipo informático conectado se produjo como consecuencia de:
 - a) Un desgaste normal, erosión o deterioro del protector de sobretensiones;
 - b) Una inmersión o exposición al agua;
 - c) Un rayo, inundación, terremoto u acontecimiento de fuerza mayor;
 - d) Subidas de tensión transitorias a través del teléfono, cable o líneas DSL (a menos que el teléfono, cable o línea DSL estuviera también conectado correctamente al protector de sobretensiones); o
 - e) Un acto de guerra, vandalismo o hurto.
10. El equipo informático conectado no se utilizó un condiciones normales de funcionamiento o de acuerdo con las instrucciones correctas de instalación, uso y mantenimiento o advertencias relacionadas;
11. La reparación o reemplazo del equipo informático conectado está cubierto por otra garantía aplicable al equipo; o
12. La reparación, reemplazo, o bien el pago del equipo informático conectado dañado está cubierto por el seguro de vivienda, comercial o de arrendamiento u de otro tipo del comprador, excepto con las siguientes excepciones:
 - a) Si el seguro aplicable tiene una cantidad deducible, esta garantía limitada se aplicará un la cantidad deducible especificada;

- b) Si existe un daño cubierto por la presente garantía que excede los límites de la póliza del seguro aplicable, esta garantía limitada se aplicará a la cantidad por daños que exceda los límites de la póliza de seguros;
- c) En ningún caso la responsabilidad total de Kensington por la cantidad deducible de la póliza de seguros y por los daños que excedan los límites de la póliza de seguros será superior al límite de la garantía de este producto.

RENUNCIA DE RESPONSABILIDAD DE LA GARANTÍA

LA GARANTÍA LIMITADA DESCRITA EN ESTE DOCUMENTO ES EL ÚNICO RECURSO DEL COMPRADOR. EN LA MEDIDA DE LO PERMITIDO POR LA LEY, KENSINGTON RECHAZA TODA OTRA GARANTÍA EXPRESA O IMPLÍCITA, INCLUYENDO TODA GARANTÍA DE COMERCIABILIDAD E IDONEIDAD PARA UN FIN PARTICULAR.

LIMITACIÓN DE RESPONSABILIDAD

CON EXCEPCIÓN DE LA REPARACIÓN O REEMPLAZO DEL PROTECTOR DE SOBRETENSIONES Y DE LA REPARACIÓN O ABONO DEL PRECIO JUSTO DE MERCADO DEL EQUIPO INFORMÁTICO CONECTADO QUE HAYA RESULTADO DAÑADO, DE ACUERDO CON LO CONTEMPLADO EXPRESAMENTE EN LA GARANTÍA LIMITADA DESCRITA EN ESTE DOCUMENTO, KENSINGTON NO SE HACE RESPONSABLE DE NINGUN DAÑO, DIRECTO O INDIRECTO, ACCIDENTAL ESPECIAL CONSECUENTE, PUNITIVO U DE OTRO TIPO, INCLUSIVE LA PÉRDIDA DE INGRESOS, PÉRDIDA DE BENEFICIOS, INCAPACIDAD PARA UTILIZAR EL SOFTWARE, PERDIDA O RECUPERACIÓN DE DATOS, ALQUILER O SUSTITUCIÓN DE EQUIPOS, TIEMPO DE INACTIVIDAD, DAÑOS CAUSADOS A PROPIEDAD QUE NO SEA EL EQUIPO INFORMÁTICO DAÑADO Y RECLAMACIONES DE TERCEROS QUE SE DERIVEN DE CUALQUIER TEORÍA DE RECUPERACIÓN, INCLUSIVE DE TIPO LEGAL CONTRATO O AGRAVIO. SIN PERJUICIO DE NINGUN TERMINO DE NINGUNA GARANTÍA LIMITADA O IMPLÍCITA, O EN EL CASO DE QUE CUALQUIER GARANTÍA LIMITADA NO CUMPLA SU FIN PRIMORDIAL EN NINGÚN CASO LA RESPONSABILIDAD TOTAL DE KENSINGTON EXCEDERÁ EL LÍMITE DE LA GARANTÍA DE ESTE PRODUCTO. ALGUNOS ESTADOS Y PROVINCIAS NO PERMITEN LA EXCLUSIÓN NI LIMITACIÓN DE DAÑOS ACCIDENTALES O CONSECUENTES, POR LO QUE ES POSIBLE QUE LAS LIMITACIONES O EXCLUSIONES ANTERIORES NO SE APLIQUEN EN SU CASO. ESTA GARANTÍA LIMITADA LE OTORGA UNOS DERECHOS LEGALES ESPECÍFICOS Y ADEMÁS PUEDE TENER OTROS DERECHOS QUE PUEDEN VARIAR DE UN ESTADO Y PROVINCIA A OTROS.

Procedimiento de reclamación en garantía

Para presentar una reclamación de acuerdo con esta Garantía limitada de por vida, debe enviar su notificación a Kensington en un plazo de 60 días del incidente según se indica a continuación:

1. Póngase en contacto con Kensington Technology Group, 333 Twin Dolphin Drive, Sixth Floor, Redwood Shores, California, 94065, EE.UU. llamando al número 800-535-4242. Cuando llame debe tener a mano el protector de sobretensiones y estar preparado para proporcionar la siguiente información:
 - a) El número de modelo del protector de sobretensiones;
 - b) El método de conexión utilizado para conectar el protector de sobretensiones a la fuente de alimentación;
 - c) El equipo informático que estaba conectado al protector de sobretensiones en el momento del incidente;

- d) El equipo informático que resultó dañado durante el incidente y el alcance de los daños;
 - e) La fecha del incidente;
 - f) El lugar y fecha de adquisición del protector de sobretensiones.
2. El Representante de Kensington le indicará a continuación cómo enviar la prueba o pruebas de propiedad, el protector de sobretensiones y cualquier equipo informático conectado para poder proceder con la reclamación.

SmartSockets Datos Técnicos de Fabricación

	Specification	Definition
Clasificación de Energía(VAC/AMPS)	120 VAC/15 amperios	Voltaje o amperaje al cual el aparato ha sido diseñado para funcionar.
Supresor de Sobrecargas	Varistor de óxido metálico	Absorbe el exceso de energía cuando ocurre una sobrecarga.
Clasificación de Energía (Joules)	Modelo 62688—1890 Joules Modelo 62690—2490 Joules Modelo 62691—3090 Joules	Máxima energía que los circuitos protectores pueden disipar. Mientras más alta sea la clasificación de julios, superior es la protección.
Voltaje De Fijación (Clasificación TVSS)	400 Volts	Voltaje máximo que pasa por el protector.
Protección de 3 Líneas	Fijación en las tres líneas: con corriente, neutra y conectada a tierra	
Duración de Respuesta Típica	instantáneo < 1 nanosegundo	Cantidad de tiempo que tarda en reaccionar a sobrecargas perjudiciales. Un nanosegundo es una mil millonésima de un segundo.
Sobretensión de Línea Telefónica Protección (en Voltios)	Fijación a 465 Voltios	Fija las sobrecargas que entran en la línea telefónica a fin de brindar protección total.
Scumplimiento de Medidas de Seguridad (Aprobaciones de UL)	Listados aprobados por UL UL 1449 UL 1363 UL 1283 Aprobados por cUL	Normas de UL para filtros de EMI/RFI para tomas de corriente temporales de protección contra sobrecargas.

SmartSockets supera los requerimientos de las categorías A y B de la norma ANSI/IEEE C62.41-1091.