




SmartFit™ Freestanding Dual Monitor Stand



A (x1)

B (x1)

C (x2)

3mm (x1) K

4mm (x1) L

6mm (x1) M

D (x1)

F (x1)

G (x1)

H (x2)

I (x2)

J (x2)

N (x1)

O (x1)

R (x1)

S (x1)

T (x1)

E (x2)

M4x12 (x8) M-A



M5x12 (x8) M-B

Q (x2)



P (x1)

D5 (x8) M-C


WARRANTY Kensington


kensington.com/register

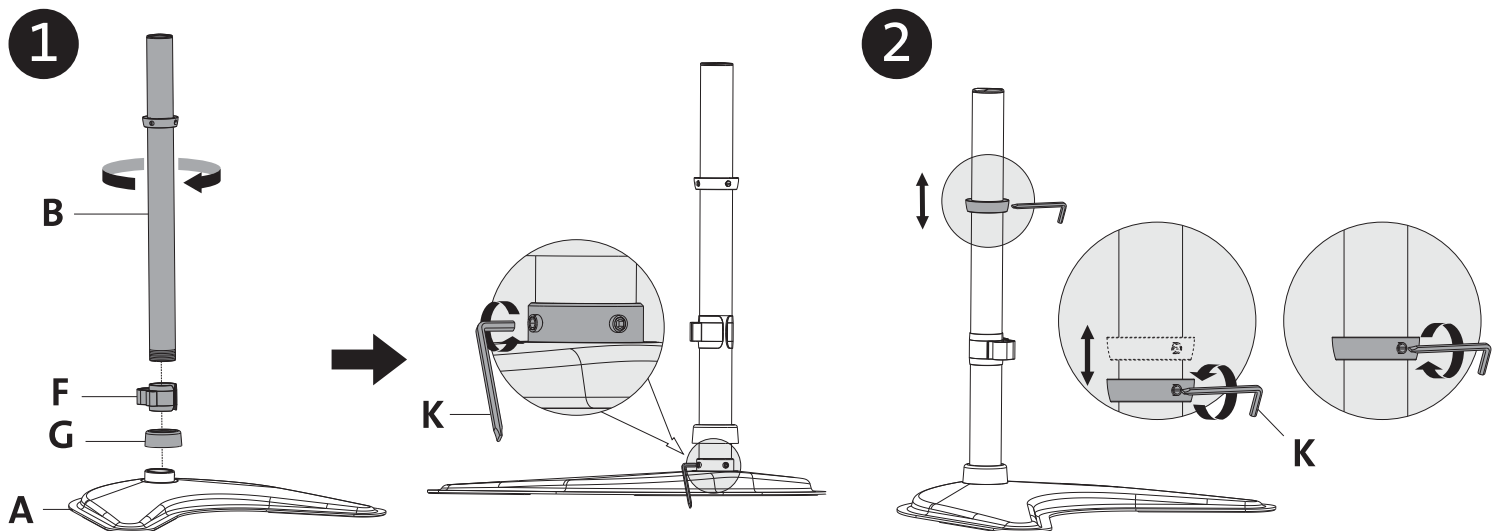
**75x75
100x100**



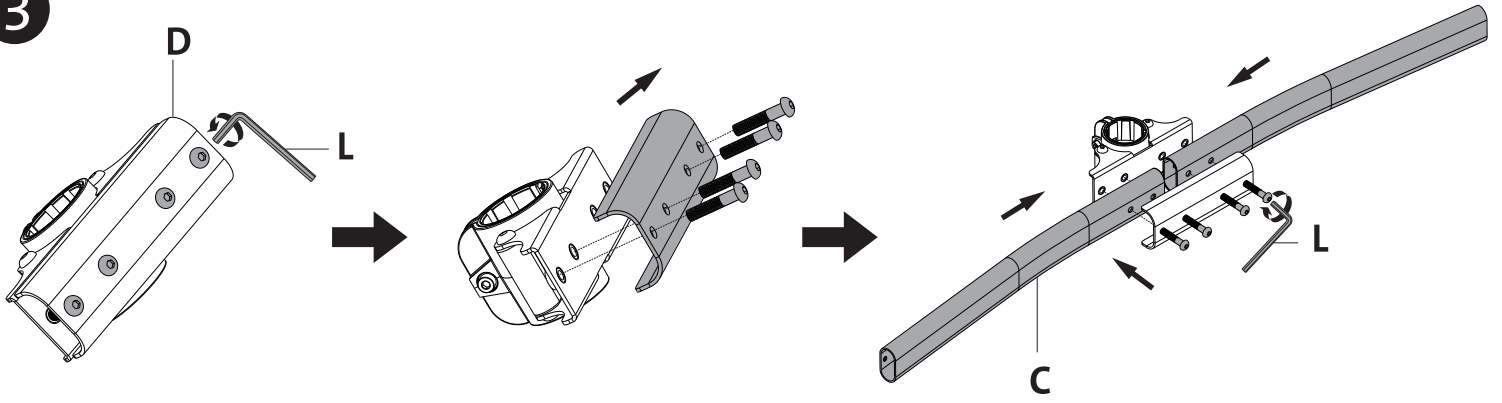
**27"
MAX**



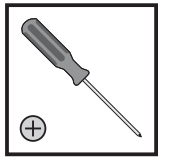
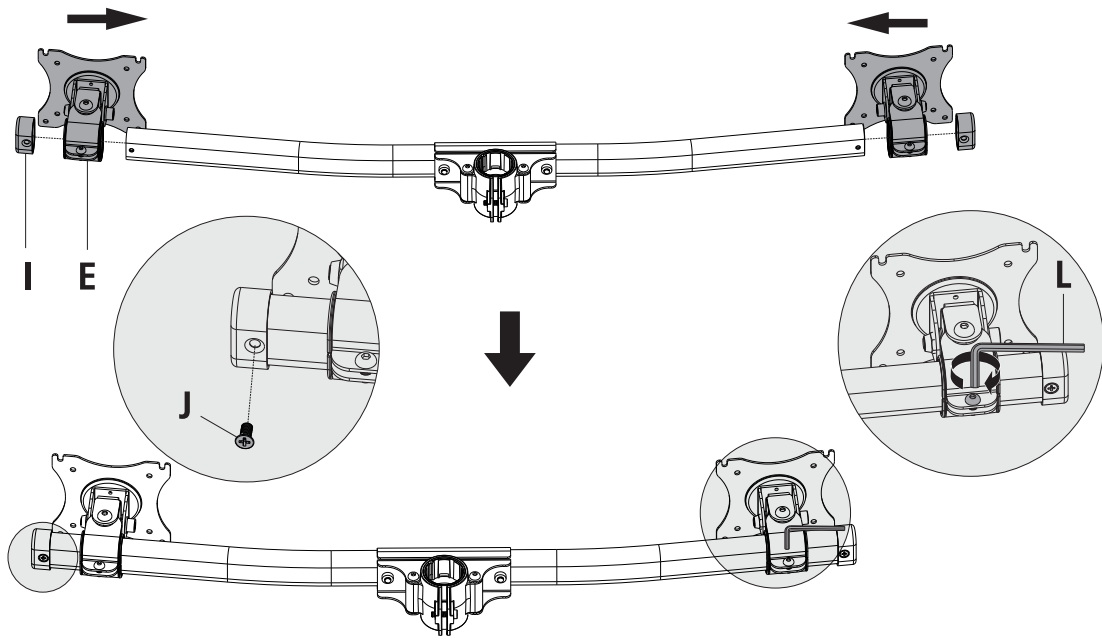
**10kg x 2
(22lbs) x 2
RATED**



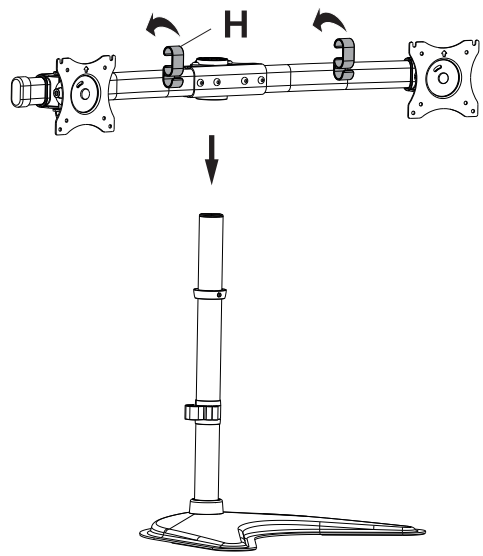
3

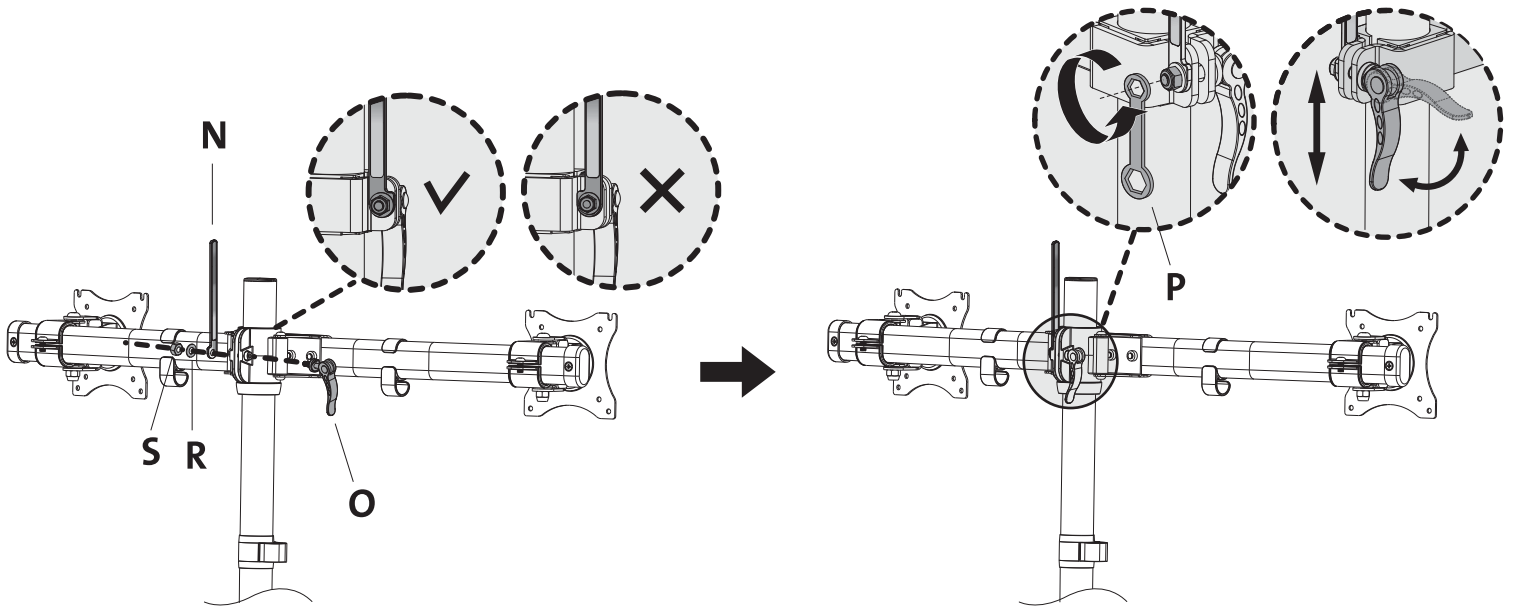


4

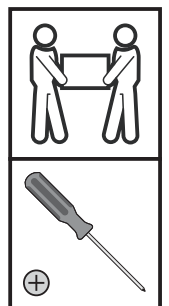
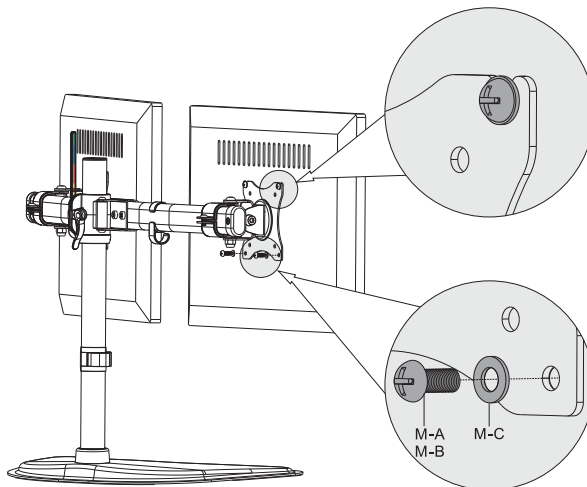
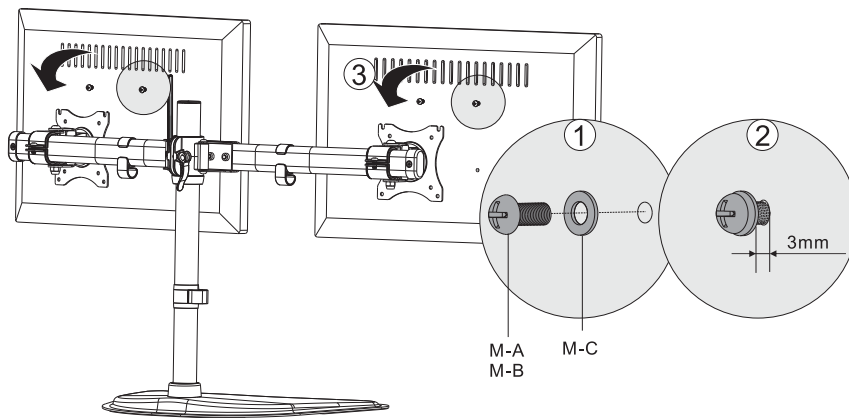


5

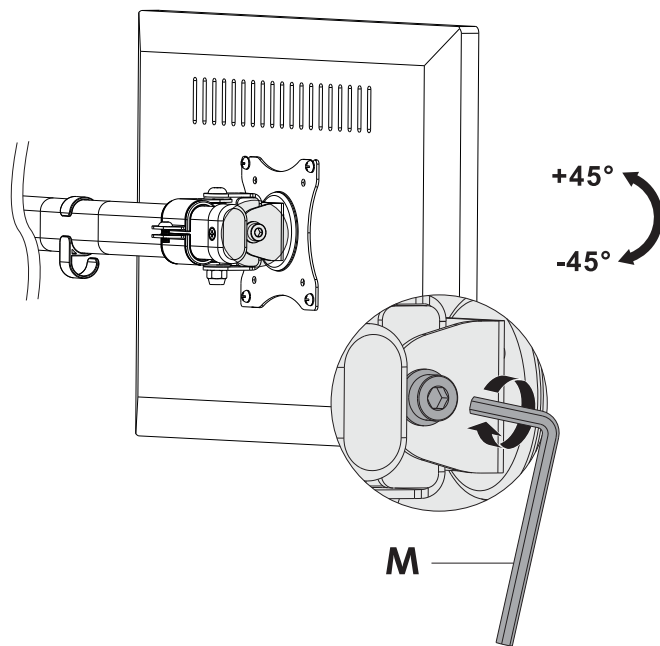




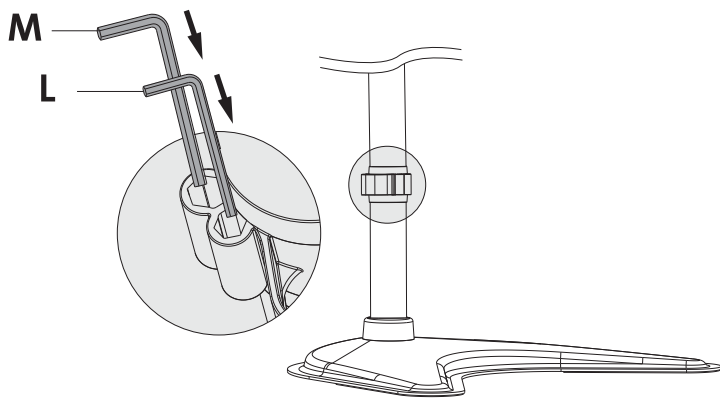
6



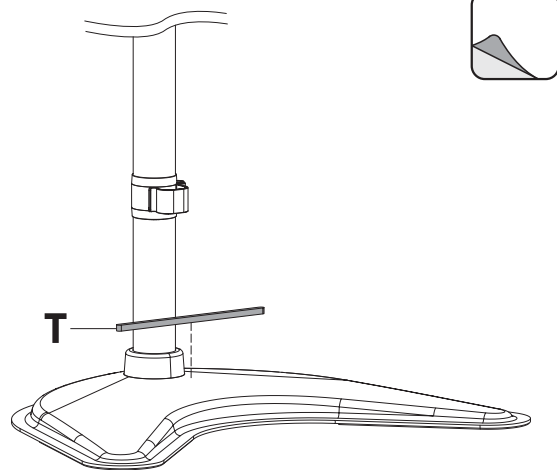
7



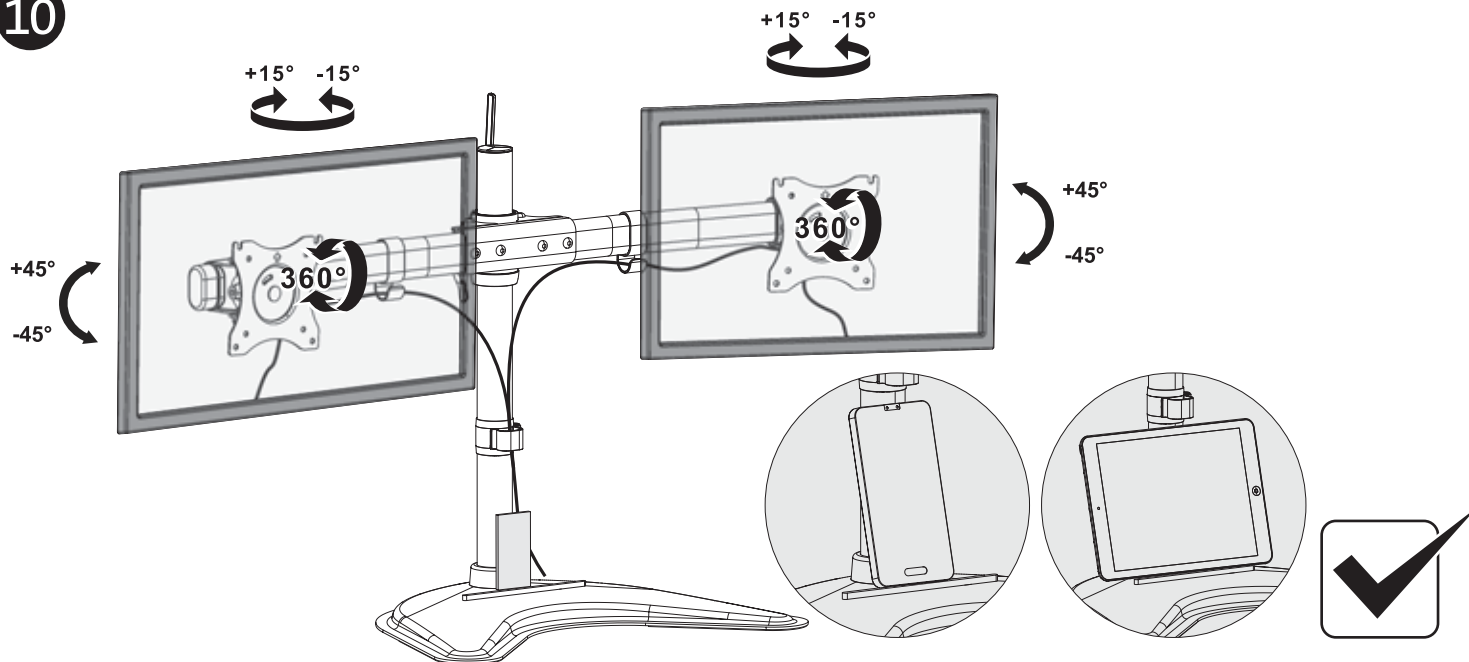
8



9

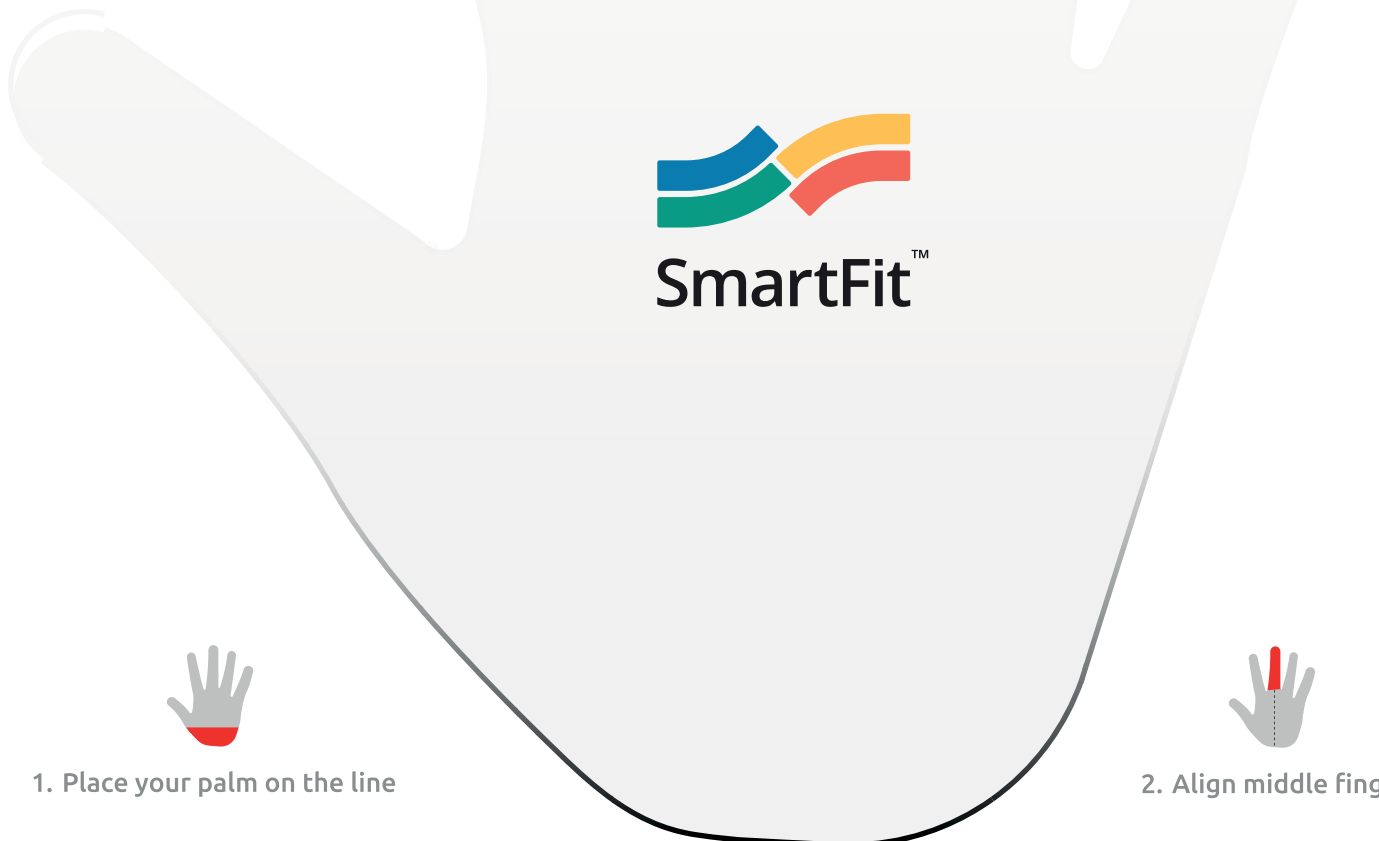
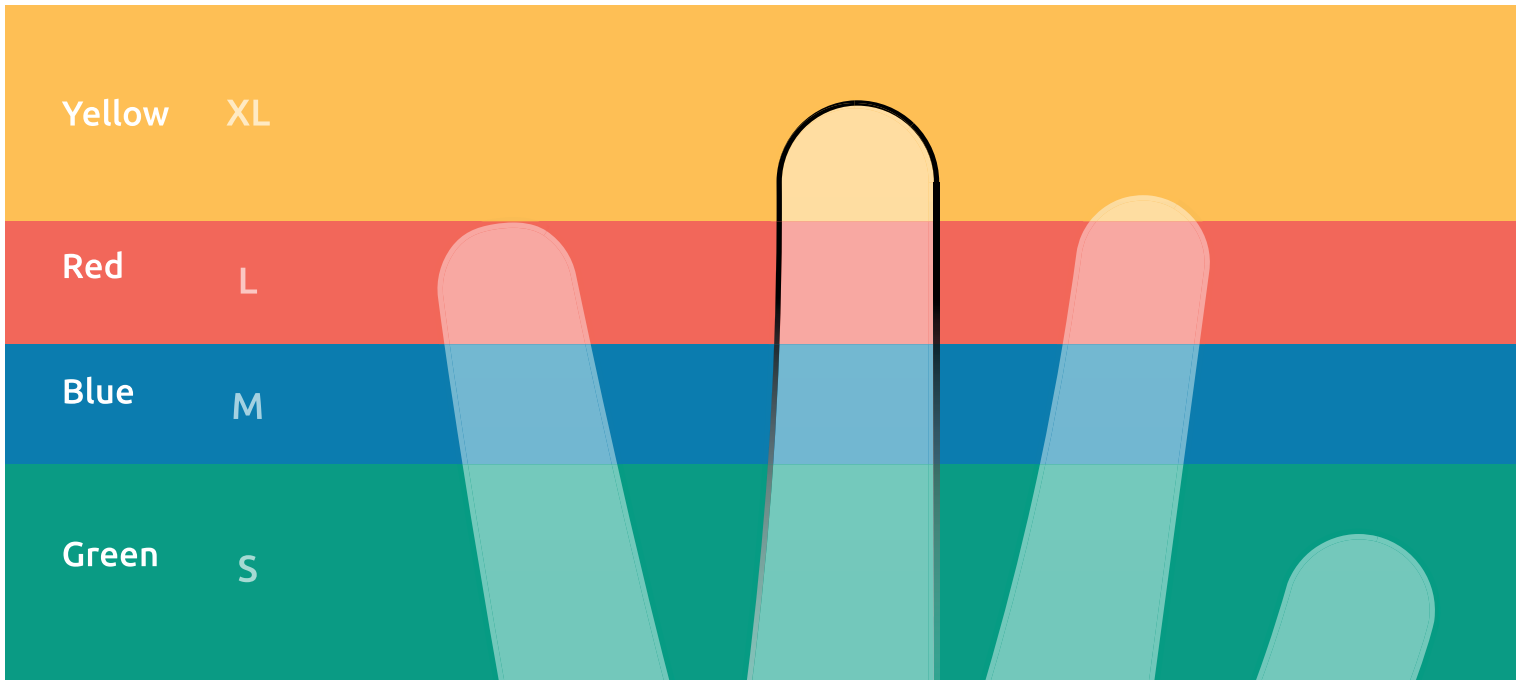


10

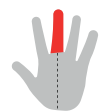


A

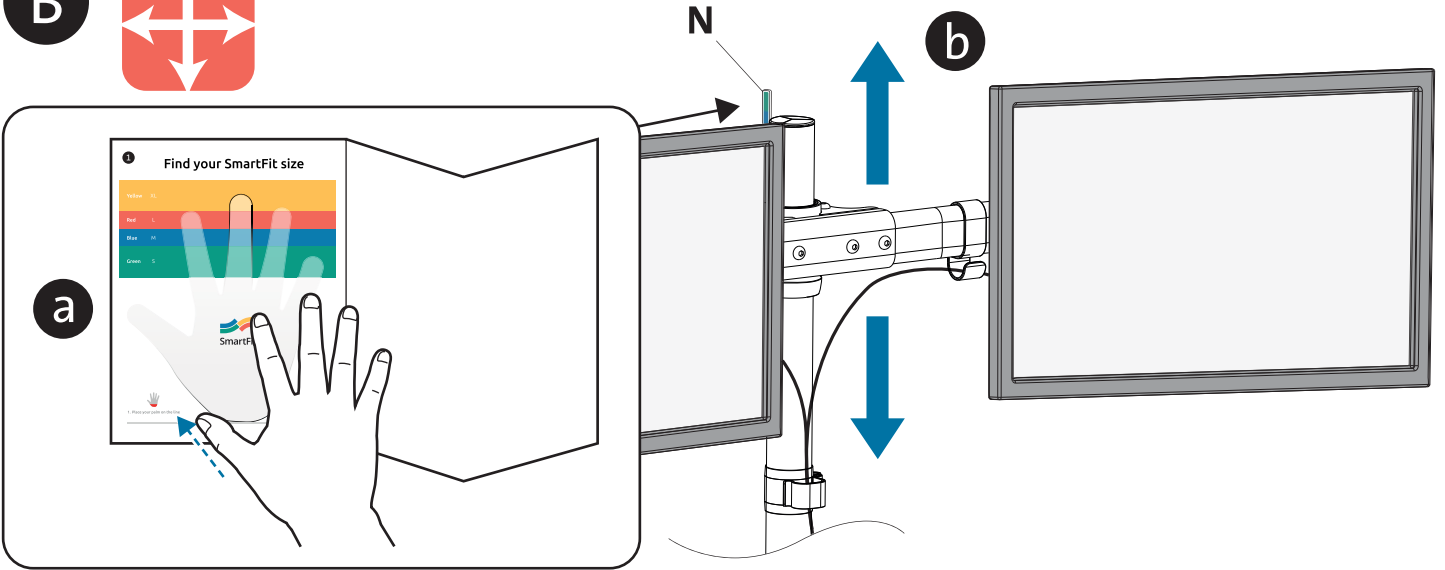
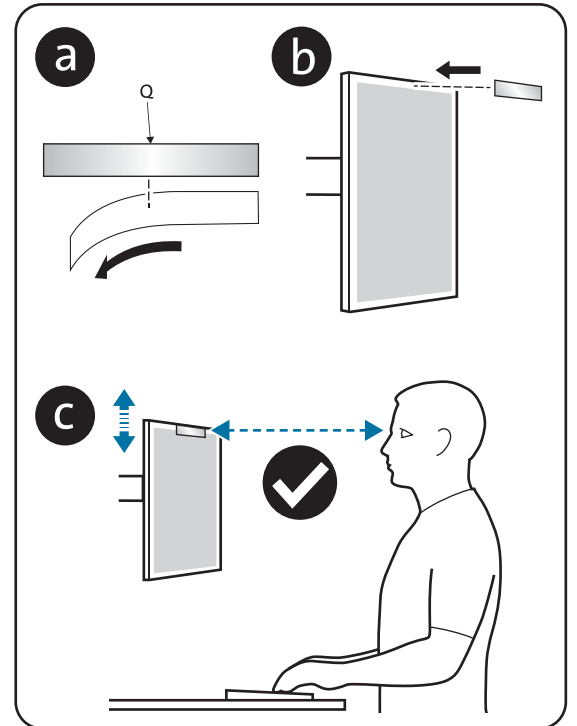
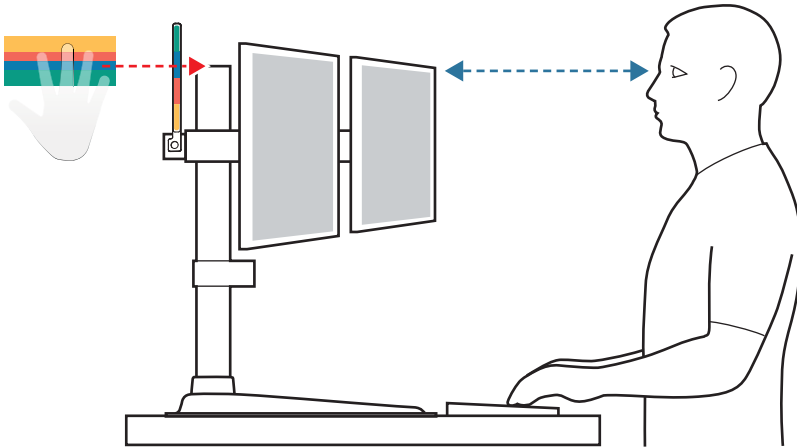
Find your SmartFit™ size



1. Place your palm on the line



2. Align middle finger

B**C**

www.kensington.com/support

Kensington® and SmartFit™ are trademarks of ACCO Brands.

All other registered and unregistered trademarks are the property of their respective owners.

© 2024 Kensington Computer Products Group, a division of ACCO Brands.

Patents: <https://www.accobrand.com/patents/>

